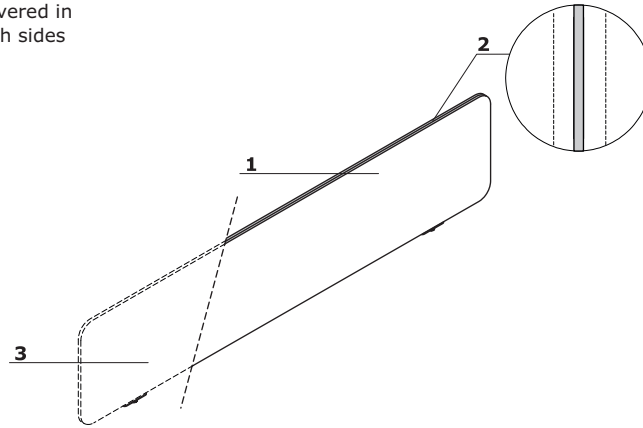


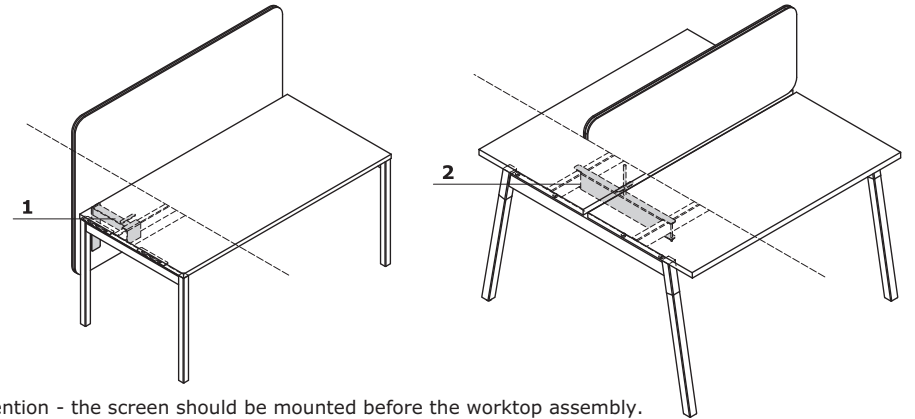
## Desktop screens - for single and bench desks

- 1 Twin screens** - upholstered, drawing pin, strip colour: aluminum
- 2 Decorative element** - plastic stripe, colour: white, black, grey
- 3 Structure** - chipboard covered in polyurethane foam on both sides



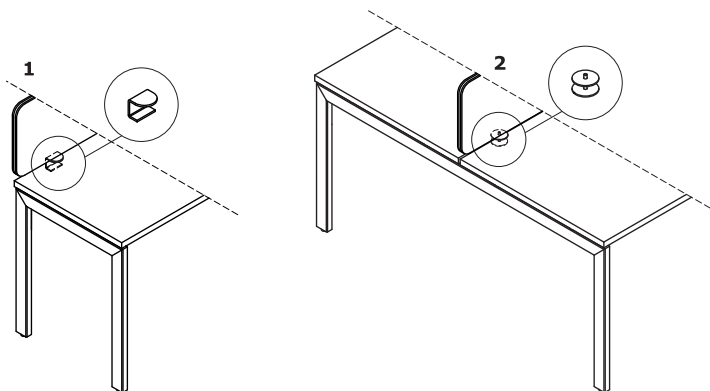
## Screen brackets for sliding top desks

- 1 Single desk bracket** - mountable to the metal beam
- 2 Brackets for benches** - mountable to the metal beam



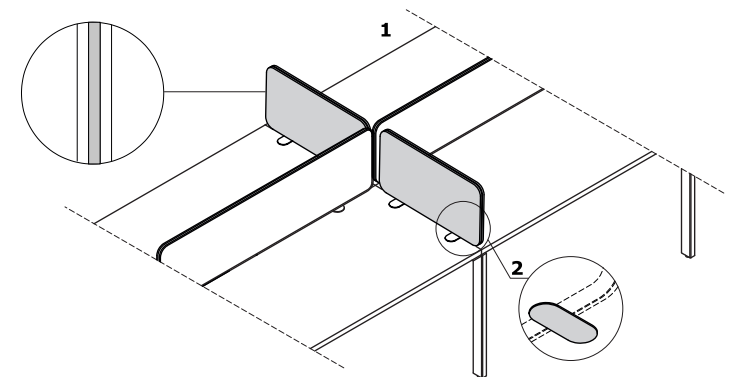
## Screen fixings

- 1 Ogi, Ergonomic Master** - panel fixing for single desks (OPTION WITH EXTRA CHARGE); suitable for mounting to 16-30mm thick worktops
- 2 Ogi** - brackets for benches included; powder-coated steel; suitable for mounting to 16-30mm thick worktops



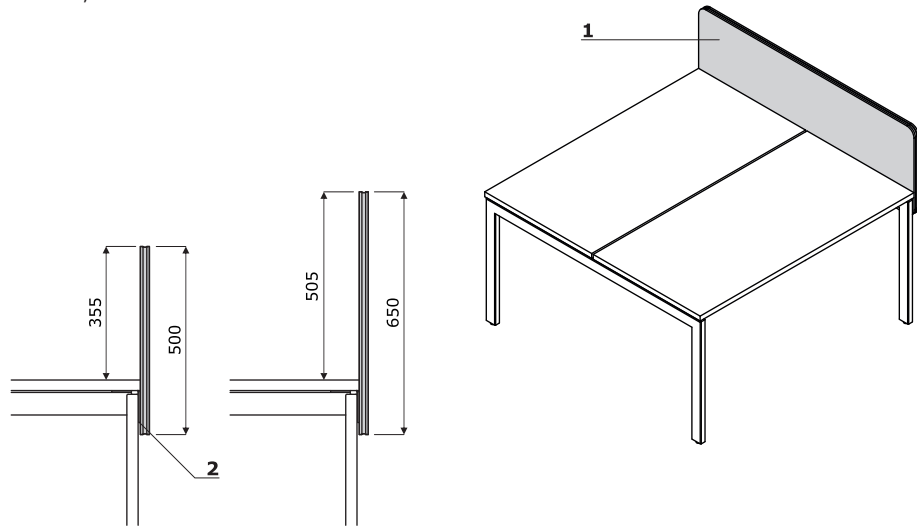
## Partition screens - for bench desks

- 1 Twin screens** - upholstered, drawing pin, strip colour: aluminum
- 2 Side screen fixings for Ogi desks** - foot 2 pcs



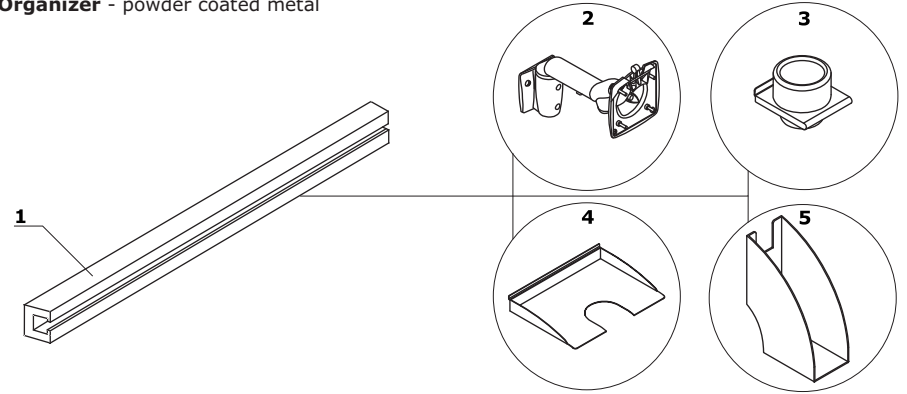
### Side screens - for single and bench desks

- 1 **Fabric** - drawing pin
- 2 **Fixing for side panels** - powder coated metal, colour: M009 - aluminium semi-matt



### Accessories for function rail

- 1 **Accessories rail** - max load: 3.5 kg per point, 7 kg per side
- 2 **Monitor holder** - powder coated steel, colour: M009 - aluminium semi-matt
- 3 **Pencil case** - powder coated steel
- 4 **Shelf** - A4 size, powder coated steel
- 5 **Organizer** - powder coated metal



ATTENTION: Only accessories from .mdd offer can be mounted