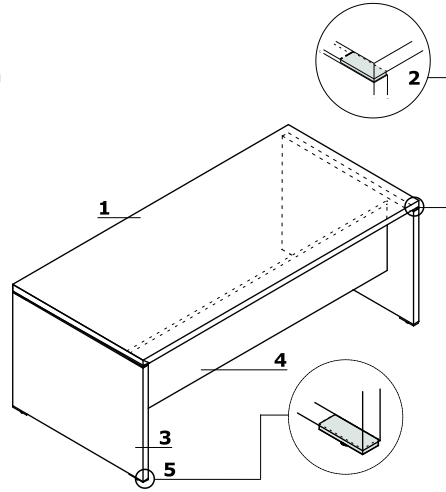
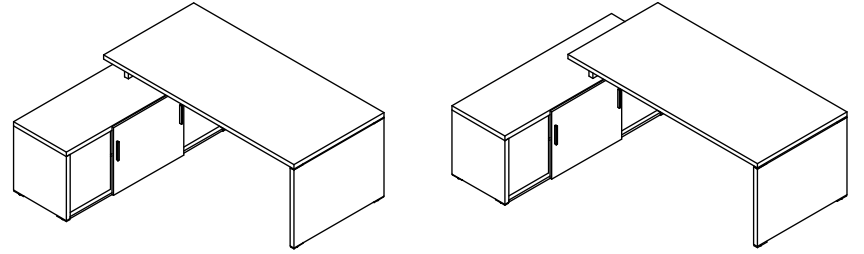


**Desks**

- 1 Worktop** - MFC 38 mm, ABS edge 2 mm
- 2 Top distance** - aluminium 100x34x9 mm
- 3 Base** - MFC 38 mm, ABS edge 2 mm
- 4 Modesty panel** - MFC 18 mm, ABS edge 2 mm
- 5 Leveling feet** - aluminium 100x34x9 mm, range 5 mm

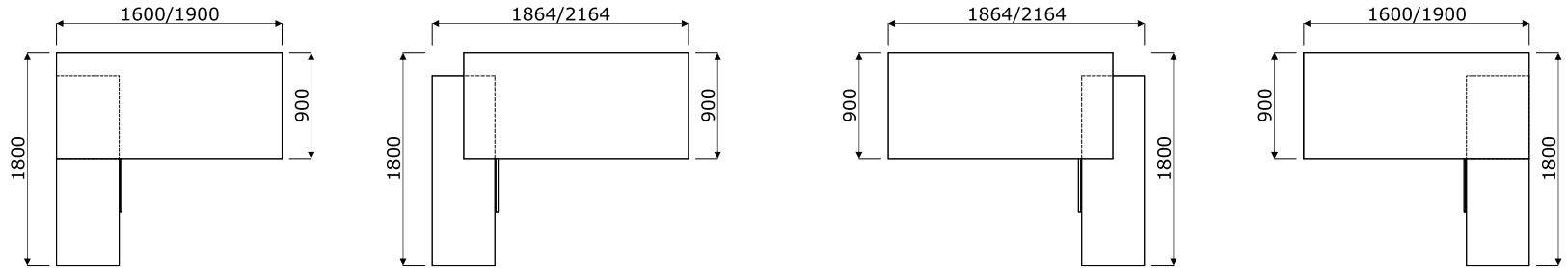


**Configuration examples**



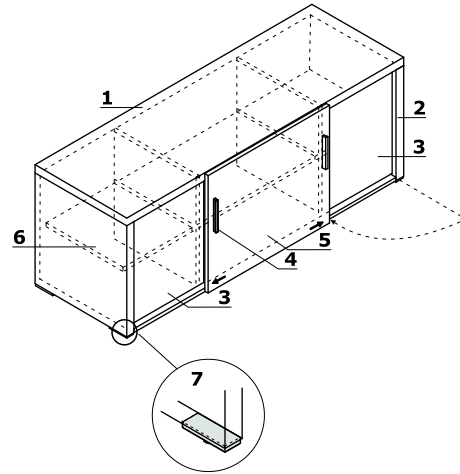
QU16 / QU19

**Configuration examples (mm)**



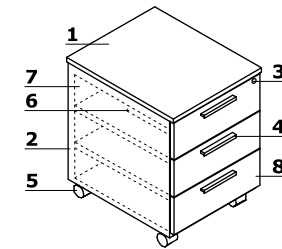
## Cabinet

- 1 **Top** - MFC 38 mm, ABS edge 2 mm
- 2 **Side panels** - MFC 38 mm, ABS edge 2 mm
- 3 **Front** - MFC 18 mm, ABS edge 2 mm
- 4 **Aluminum handle**
- 5 **Sliding front** - MFC 18 mm, ABS edge 2 mm
- 6 **Shelf** - MFC 18 mm, protection against accidental falling-out, ABS edge 2 mm, max load 30 kg
- 7 **Leveling feet** - aluminium 100x34x9 mm, range 5 mm



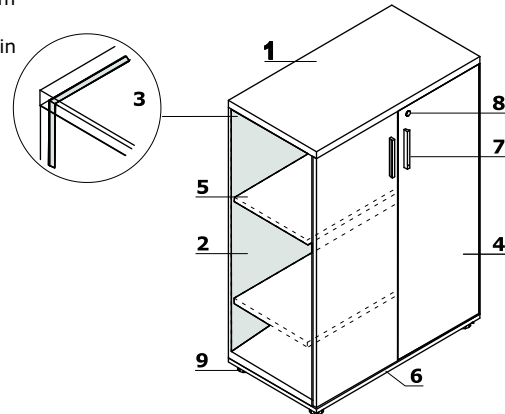
## Mobile pedestal QD13

- 1 **Top** - MFC 18 mm, ABS edge 2 mm
- 2 **Body** - MFC 18 mm, ABS edge 2 mm
- 3 **Central lock** - foldable key
- 4 **Aluminum handle**
- 5 **Castors** - Ø50 mm, two with brakes
- 6 **Pencil tray** - plastic, colour: black
- 7 **MFC drawer** - roll runners, max load 25kg, 80% extraction
- 8 **Front** - MFC 18 mm, ABS edge 2 mm



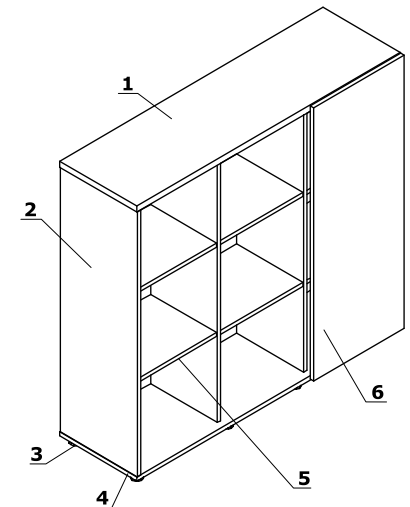
## Storages

- 1 **Top** - MFC 28 mm, ABS edge 2 mm
- 2 **Side panels** - MFC 18 mm, ABS edge 2mm
- 3 **Back MFC** - 18 mm, ABS edges 2 mm
- 4 **Front** - MFC 18 mm, ABS edge 2 mm, plain hinge 110°
- 5 **Shelf** - MFC 18 mm, protection against accidental falling-out, ABS edge 2 mm, max load 30 kg
- 6 **Base** - MFC 18 mm, ABS edge 2 mm
- 7 **Aluminum handle**
- 8 **Patent lock**
- 9 **Leveling feet 27 mm** - range 5 mm



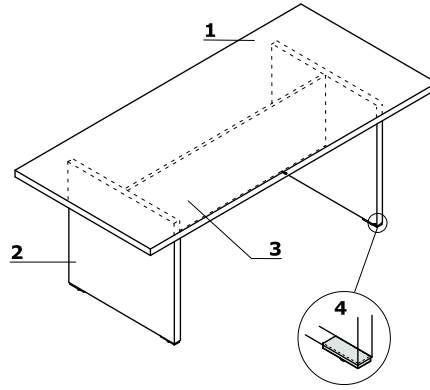
## Storage with sliding front - Q315

- 1 **Top** - MFC 28 mm, ABS edge 2 mm
- 2 **Side panels** - MFC 18 mm, ABS edge 2mm
- 3 **Leveling feet 27 mm** - range 5 mm
- 4 **Base** - MFC 18 mm, ABS edge 2 mm
- 5 **Shelf** - MFC 18 mm, protection against accidental falling-out, ABS edge 2 mm, max load 30 kg
- 6 **Sliding front** - MFC 18 mm, ABS edge 2 mm



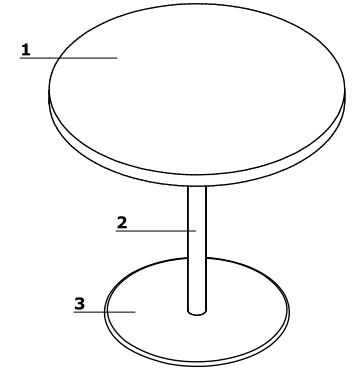
### MFC base meeting tables

- 1 Worktop** - MFC 38 mm, ABS edge 2 mm
- 2 Base** - MFC 38 mm, ABS edge 2 mm
- 3 Modesty panel** - MFC 18 mm, ABS edge 2 mm
- 4 Leveling feet** - aluminium 100x34x9 mm, range 5 mm



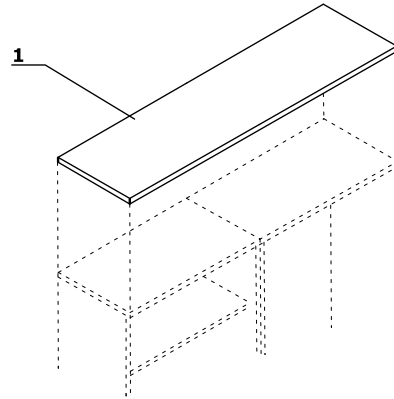
### Disc base meeting tables

- 1 Worktop** - MFC 38 mm, ABS edge 2 mm
- 2 Column** - powder coated steel
- 3 Disc** - stainless steel INOX

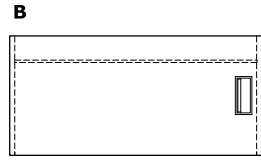
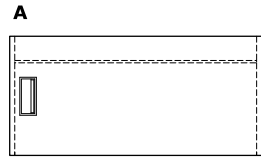


### Optional storage tops

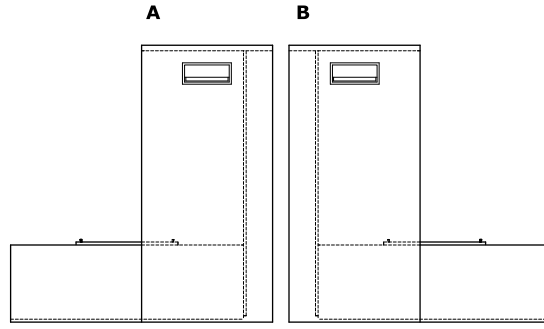
- 1 Top** - MFC 38 mm, ABS edge 2 mm



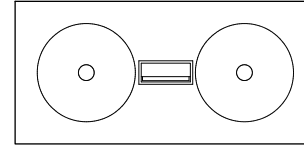
**Mediabox location**



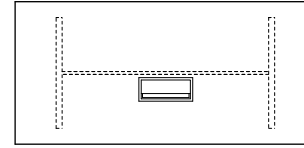
**Q16, Q19**



**QU16, QU19**



**QS20**



**QS19**