

EVA.II

CHAIR SYSTEM

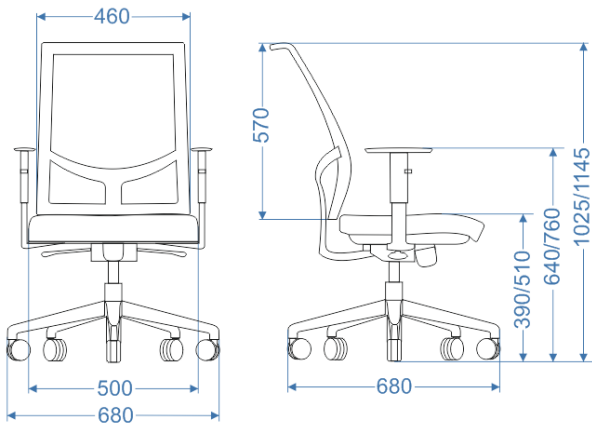
Elegance and practicality
Design – Marc Ayache

This slashing and elegant design chair perfectly integrates into modern office environment.

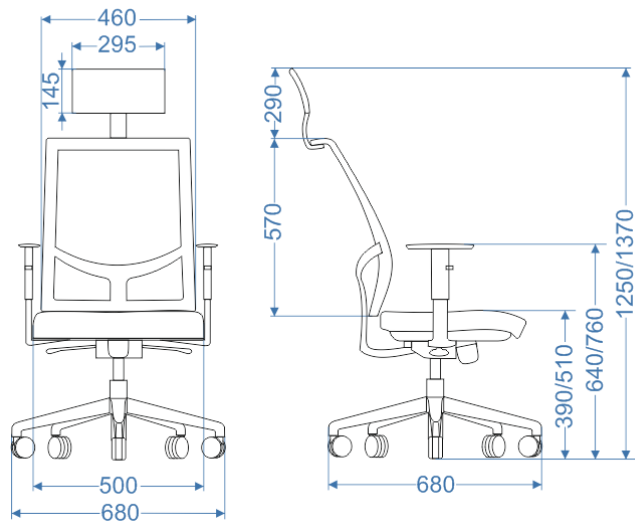
EVA.II system includes executive and operative chairs:



- Seat upholstered with leather or fabric. The back is made of mesh;
- Adjustable lumbar support (optional);
- The chair available with fixed, height adjustable armrests or without them;
- 2 types of synchro mechanisms;
- Plastic or aluminum base;
- 65 mm castors (plastic or covered with rubber).



- Headrest covered with a soft polyurethane;
- Seat upholstered with leather or fabric. The back is made of mesh;
- Adjustable lumbar support (optional);
- The chair available with fixed, height adjustable armrests or without them;
- 2 types of synchro mechanisms;
- Plastic or aluminum base;
- 65 mm castors (plastic or covered with rubber).





SID030



SID230



SID130



SID530



SID330



SID430



SID630



SID730



SIC220



SIC430



SIC520



SIC730



SIC530



SIC630



SIC830



SIC930



SIC620



SIC720



SIC030



SIC130



SIC820



SIC920



SIC230



SIC330

Choose from 5 types of armrests:



Fixed plastic armrests.

SZZ008-A



Height adjustable armrests, top part is covered with soft polyurethane. The top of armrests moving forward or backward.

SZZ101-A



Fixed plastic armrests.

SZZ000-A



Height adjustable armrests.

SZZ100-A



Height adjustable armrests.

SZZ100-E

2 types of bases:



Polished aluminum
base ø 680 mm.



Plastic base with fiberglass
ø 680 mm.

Choose from 2 types of castors:



Castors covered with
rubber for hard floors,
ø65mm.



Plastic castors for soft
floors, ø65 mm.

Epron Plus Synchron mechanism (tension adjustment with a side lever)

Specifications:

- Synchronized Mechanism;
- 22° back angle;
- 11° seat angle;
- 5 locking positions of the backrest with „return prevention“ safety function.

Operating instructions:

1. Height adjustment
2. Free floating
3. Mechanism in locked position
4. Tension adjustment knob



Epron Synchron mechanism

Specifications:

- Synchronized Mechanism;
- 20° back angle;
- 11° seat angle;
- 5 locking positions of the backrest with „return prevention“ safety function.

Operating instructions:

1. Height adjustment
2. Free floating
3. Mechanism in locked position
4. Tension adjustment knob

