

DIVA

CHAIR SYSTEM

DIVA - elegant design, ergonomic and modern chairs that ensures comfortable sitting.

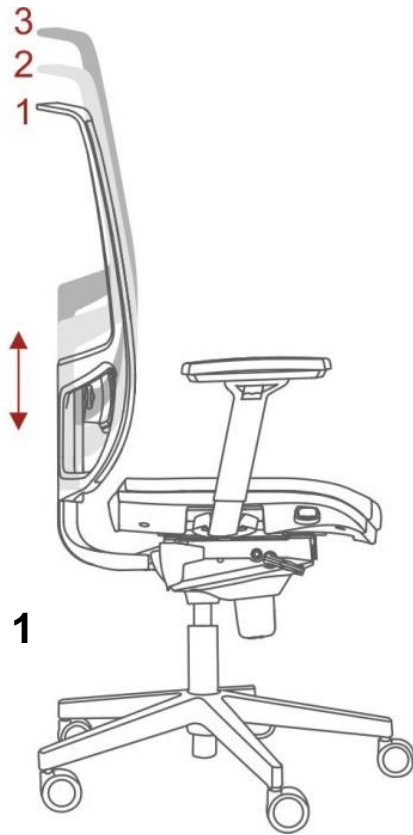
DIVA system consists of the following chairs:

- Operative;
- Operative/conference;
- Visitor.

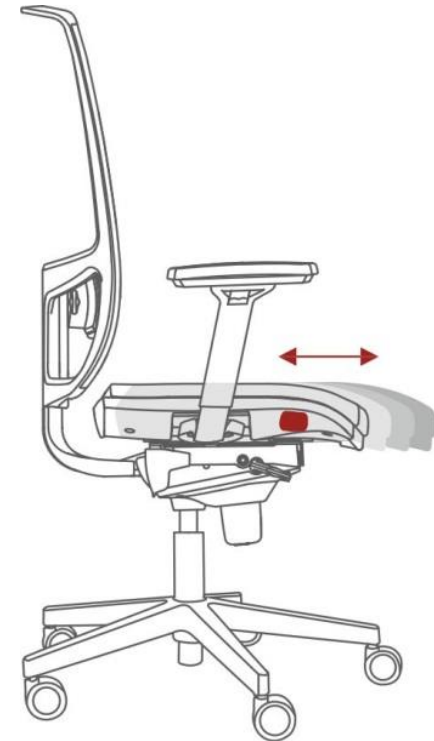
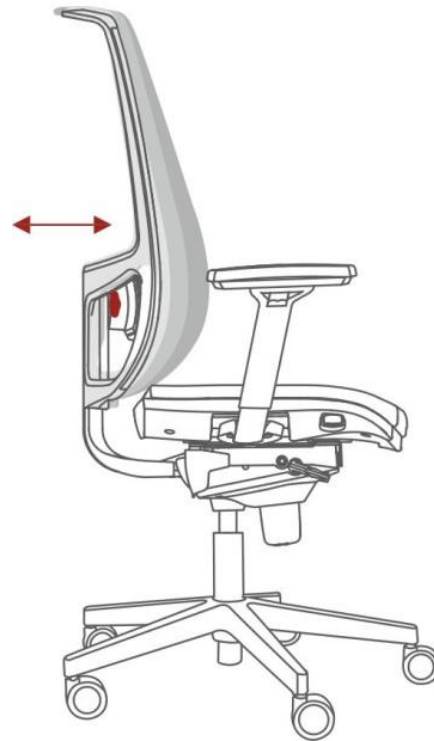


- Seat upholstered with leather or fabric. The back is made of mesh;
- Backrest height adjustment;
- Depth-adjustable lumbar support;
- Depth-adjustable seat;
- 2 types of synchro mechanisms;
- Polished aluminum or plastic base reinforced with fiberglass;
- 65 mm castors (plastic or covered with rubber).





2



Chair backrest

1. Backrest can be adjusted in height up to 60 mm. Lockable in 3 positions;
2. Adjustable lumbar support.

Seat

Seat depth can be increased up to 60 mm with a single click.

Epron Plus Synchron mechanism (tension adjustment with a side lever)

Specifications:

- Synchronized Mechanism;
- 22° back angle;
- 11° seat angle;
- 5 locking positions of the backrest with „return prevention“ safety function.

Operating instructions:

1. Height adjustment
2. Free floating
3. Mechanism in locked position
4. Tension adjustment knob



Epron Synchron mechanism

Specifications:

- Synchronized Mechanism;
- 20° back angle;
- 11° seat angle;
- 5 locking positions of the backrest with „return prevention“ safety function.

Operating instructions:

1. Height adjustment
2. Free floating
3. Mechanism in locked position
4. Tension adjustment knob

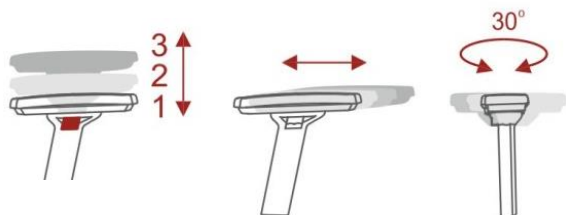




SZZ106-A

3D (three directions) adjustable armrests, top part is covered with soft polyurethane.

3D armrest adjustment



SZZ001-A

Fixed armrests.



SZZ006

Headrest adjustable to height and front (60mm).

Armrests, headrest and lumbar support must be ordered separately.



Soft polyurethane (PU) lumbar support, adjustable 15 mm to depth and fixed in 3 positions.



Polished aluminum base
ø 675 mm.

OR



Plastic base reinforced
with fiberglass ø 675 mm.



Castors covered with
rubber for hard floors,
ø65mm.

OR



Plastic castors for soft
floors, ø65 mm.



SIC020



SIC120



SIC044



SIC144



SIC320



SIC420



SIC224



SIC424

- Black plastic frame;
- Seat upholstered with leather or fabric. The back is made of mesh;
- Armrests covered with black plastic pads;
- Synchro mechanism: seat tension adjustable to the body weight, fixed in a working position;
- Height adjustment;
- Polished aluminum or plastic base reinforced with fiberglass (see 7 slide);
- Castors for hard or soft floor, 65 mm diameter (see 7 slide).



SIA014



SIA114

- Black plastic frame;
- Seat upholstered with leather or fabric. The back is made of mesh;
- Armrests covered with black plastic pads;
- Chrome plated cantilever legs;
- Plastic glides slide nicely and protect your floor;
- Stackable (up to 4 chairs).



SIA524



Xtreme plus



Twist



Bondai



Velito



RNN DNN



PM1 PM2



2015.04.14