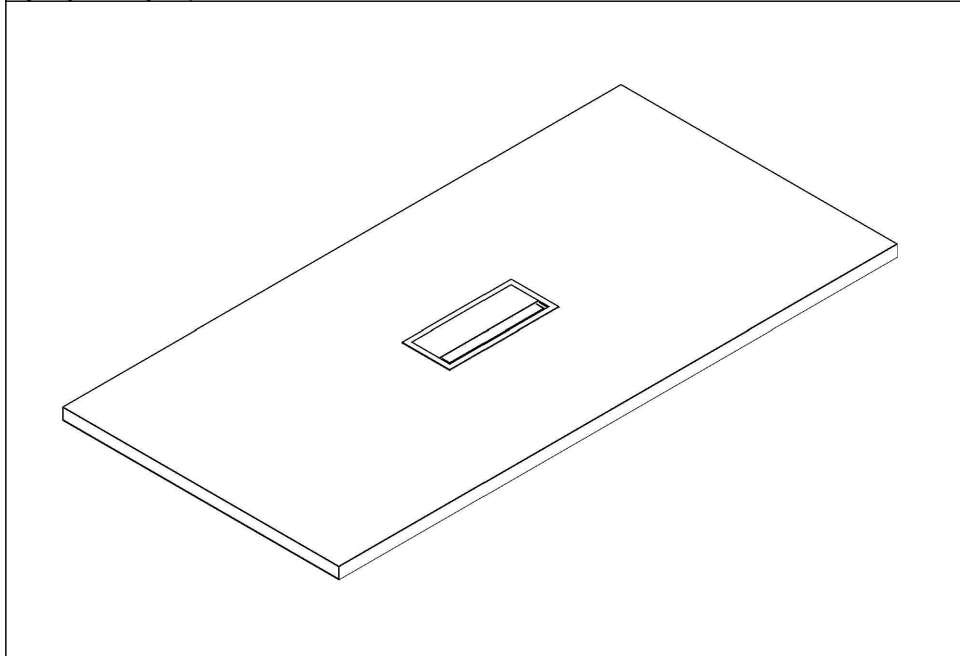
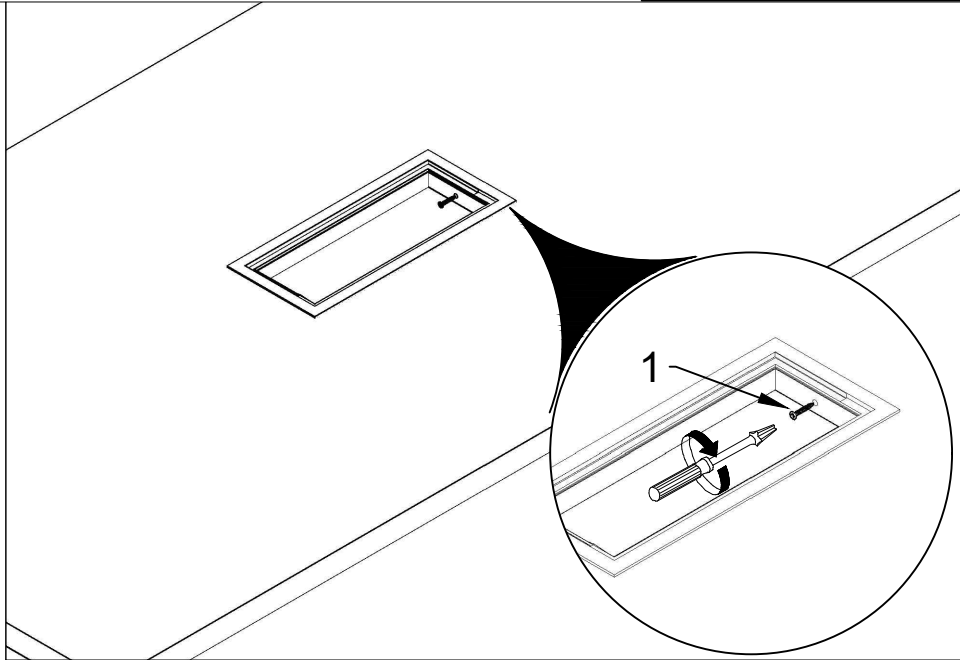
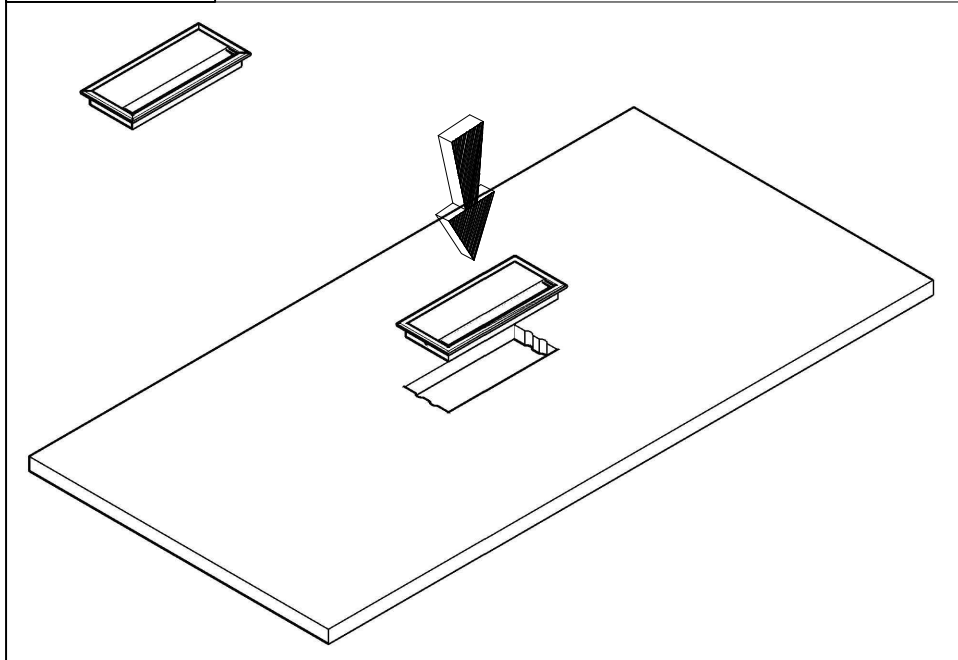


1



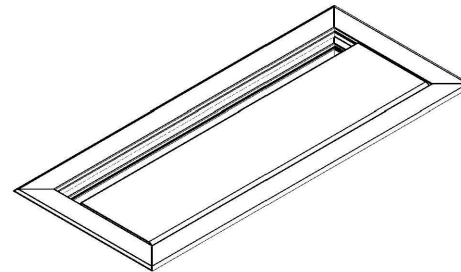
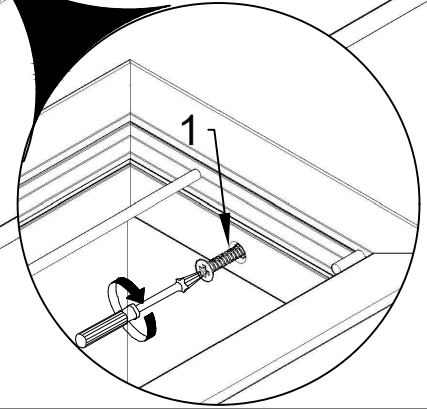
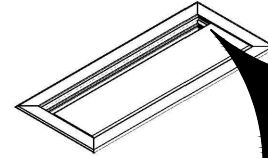
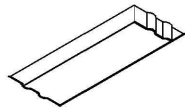
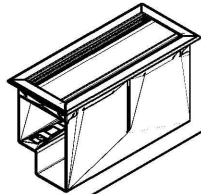
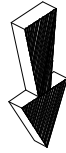
M05



1



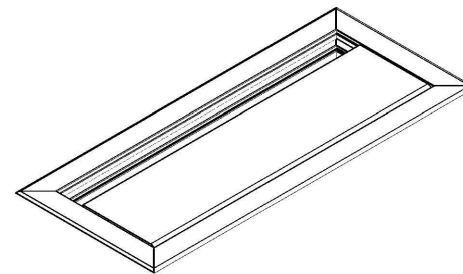
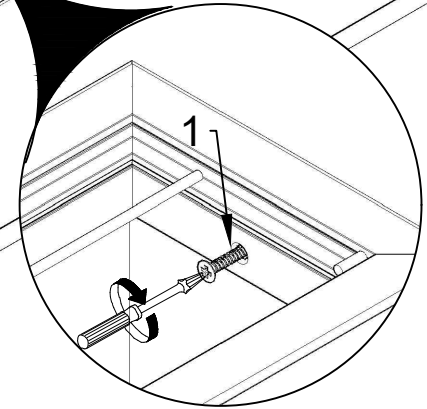
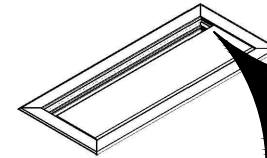
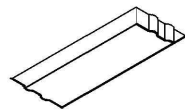
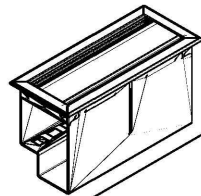
M04



1



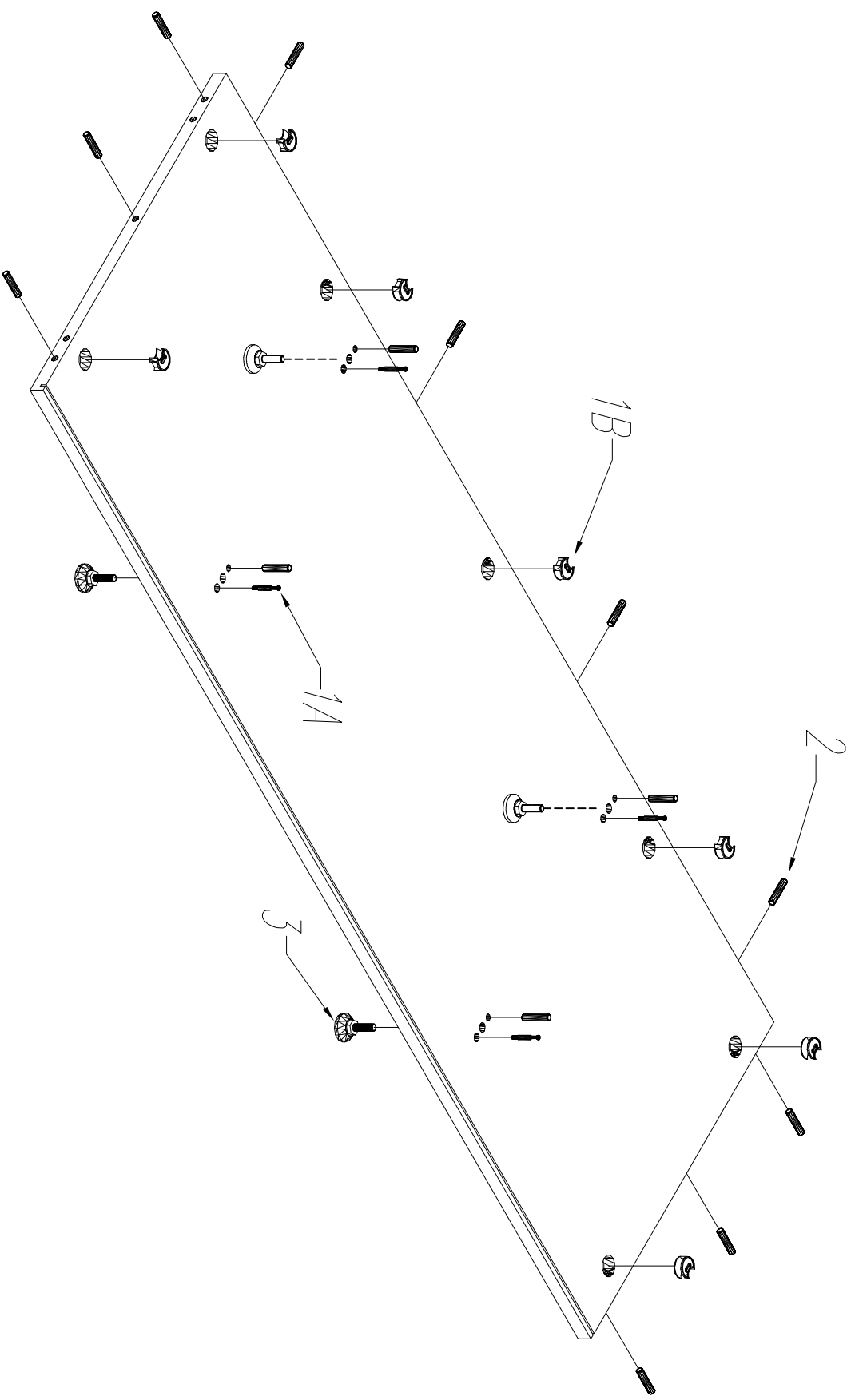
M04



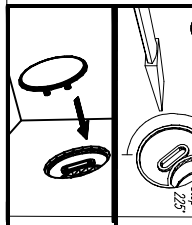
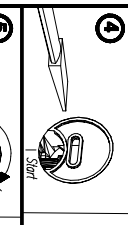
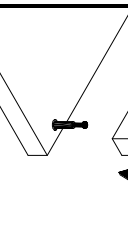
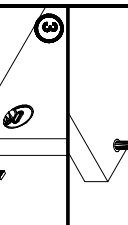
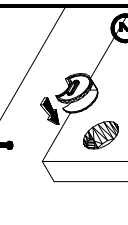
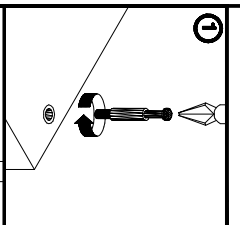


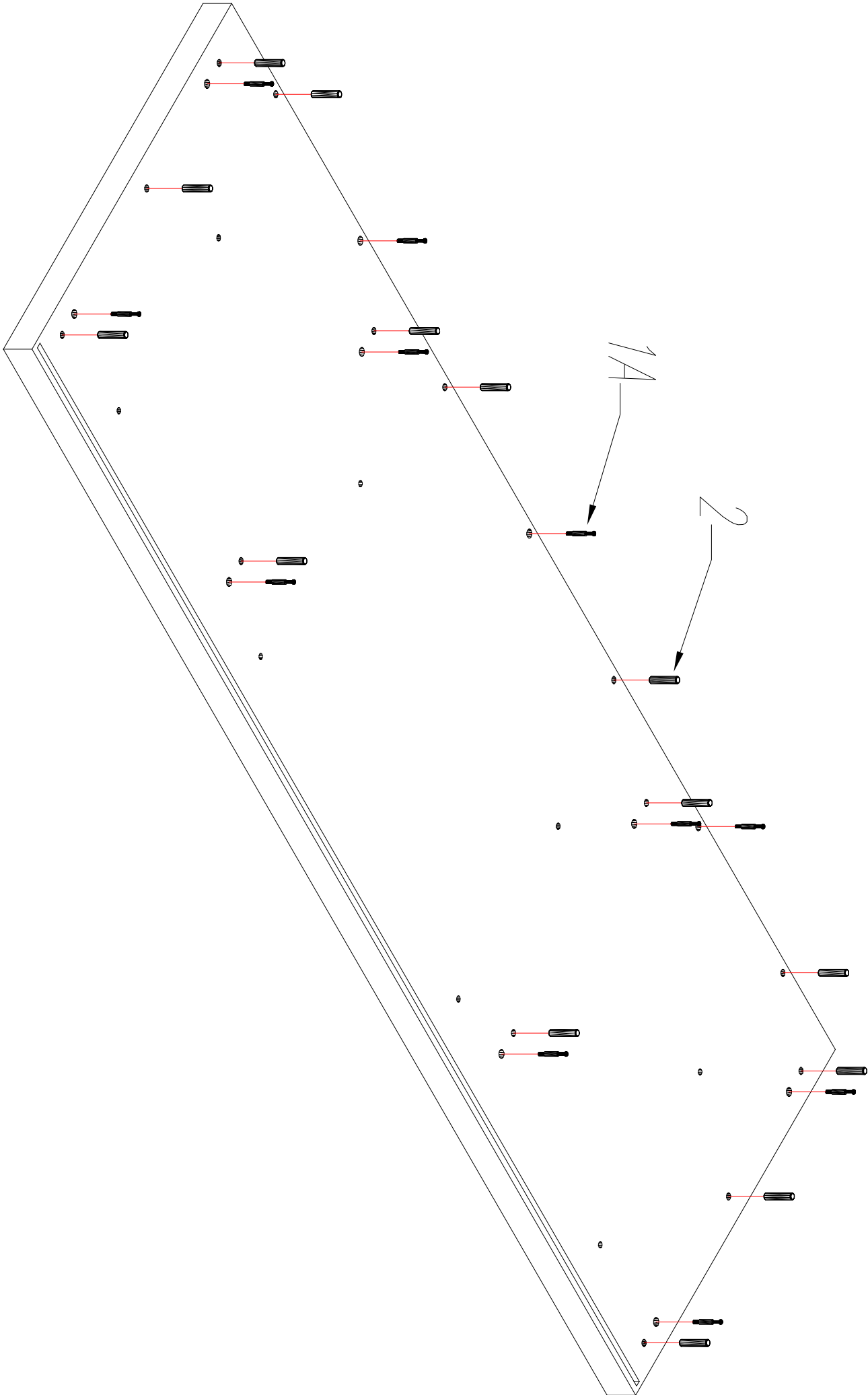
- |    |  |
|----|--|
| 1  |  |
| 2  |  |
| 3  |  |
| 4  |  |
| 5  |  |
| 6  |  |
| 7  |  |
| 8  |  |
| 9  |  |
| 10 |  |
| 11 |  |

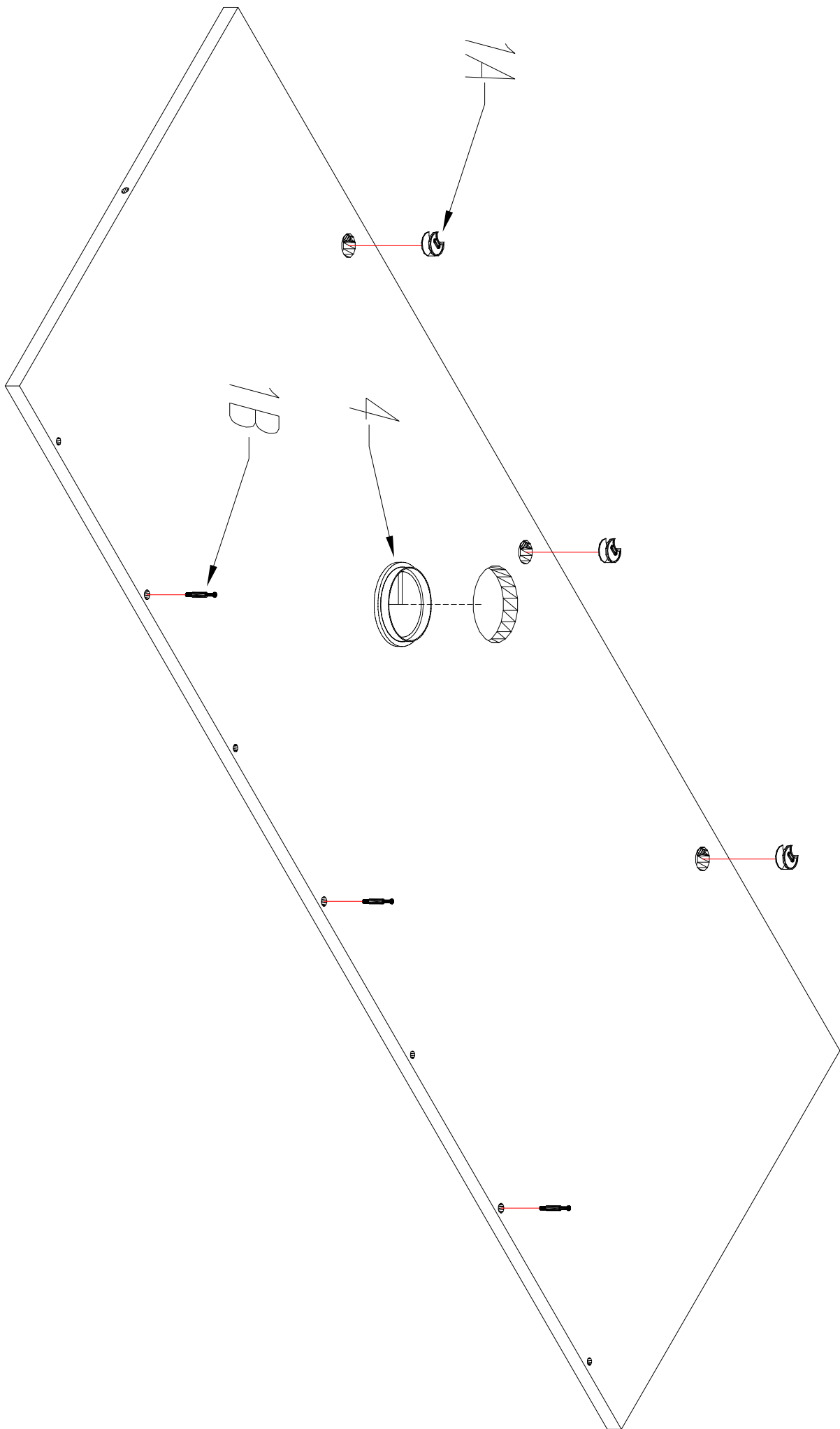
(A)

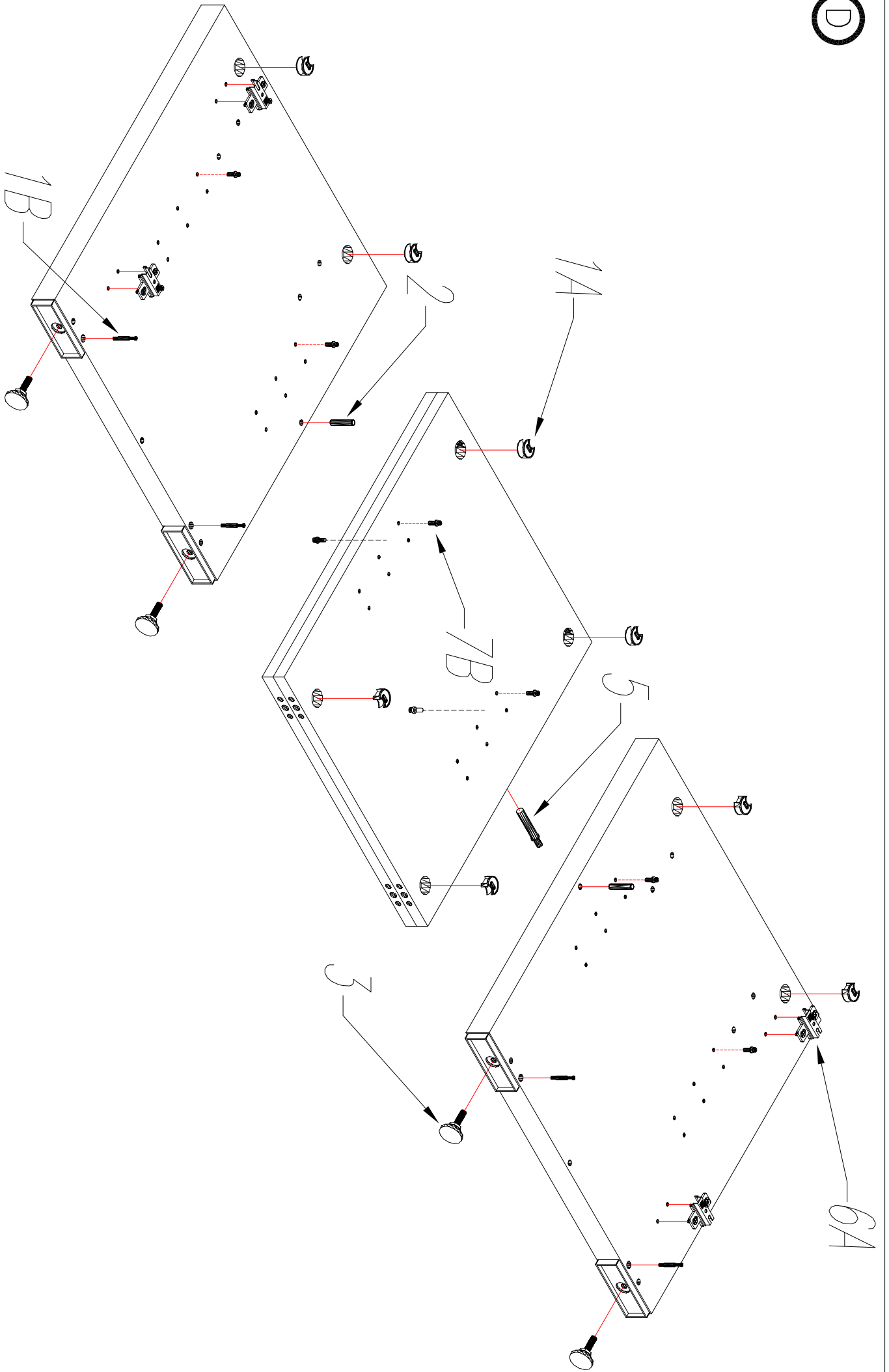


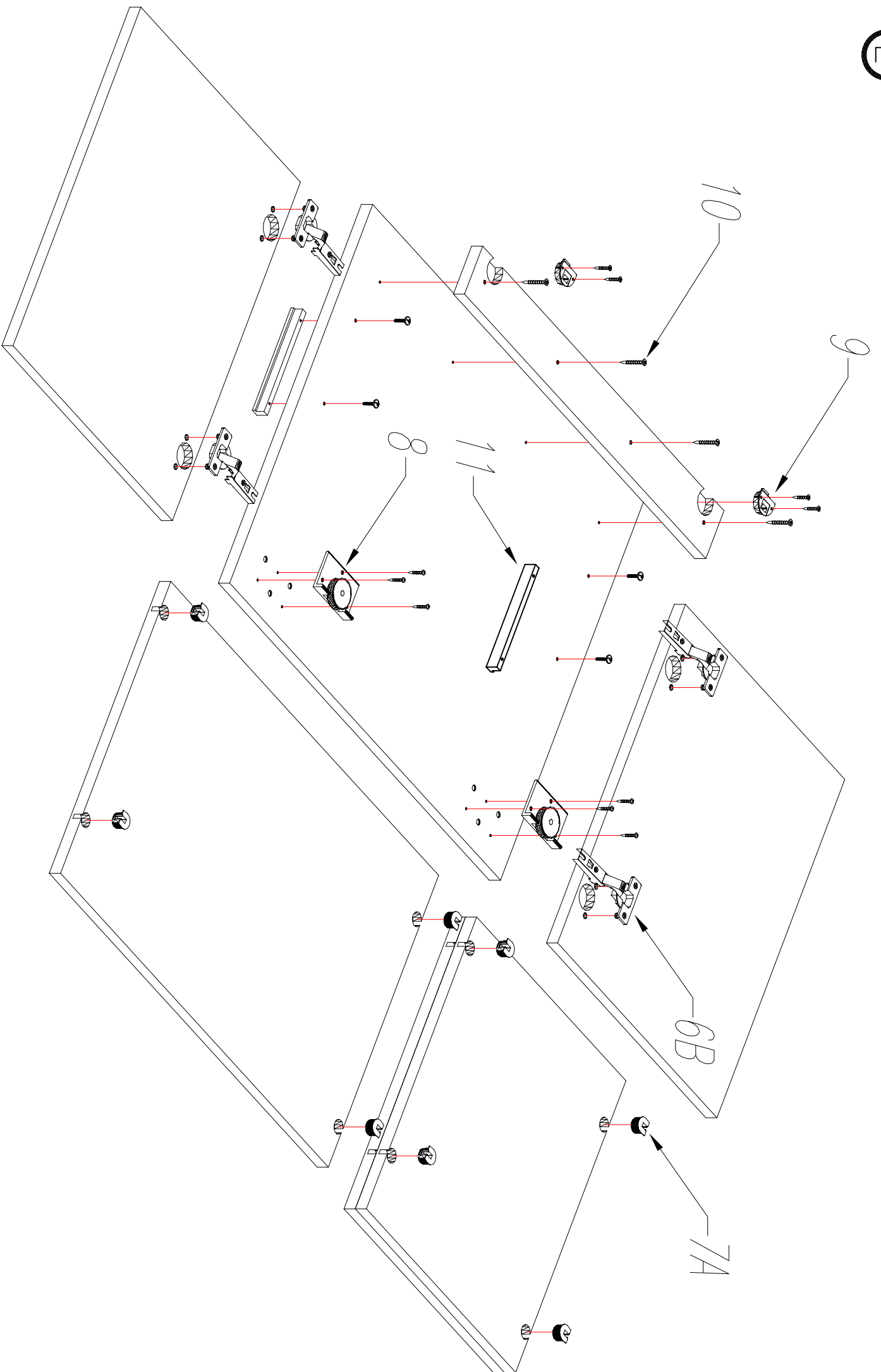
KOLENOSĆ MONTAZU  
MIMOSRODOW.  
THE FITTING SEQUENCE OF THE  
CAMS.  
DIE MONTAGEABFOLGE VON  
EXZENTERN.





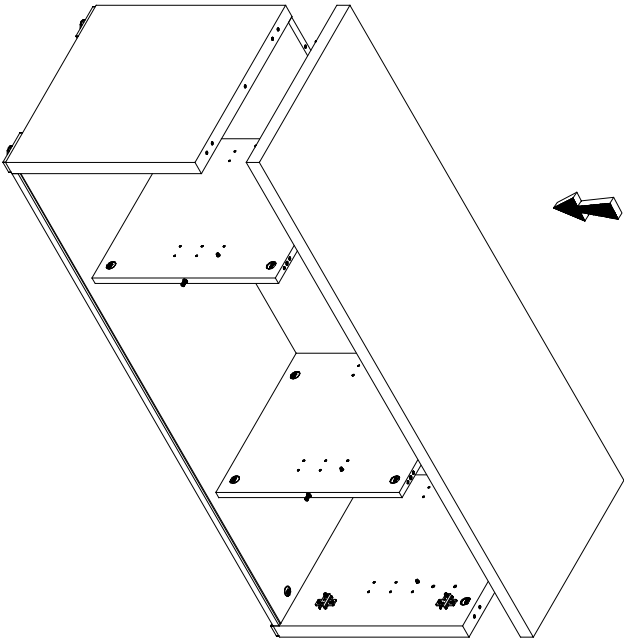




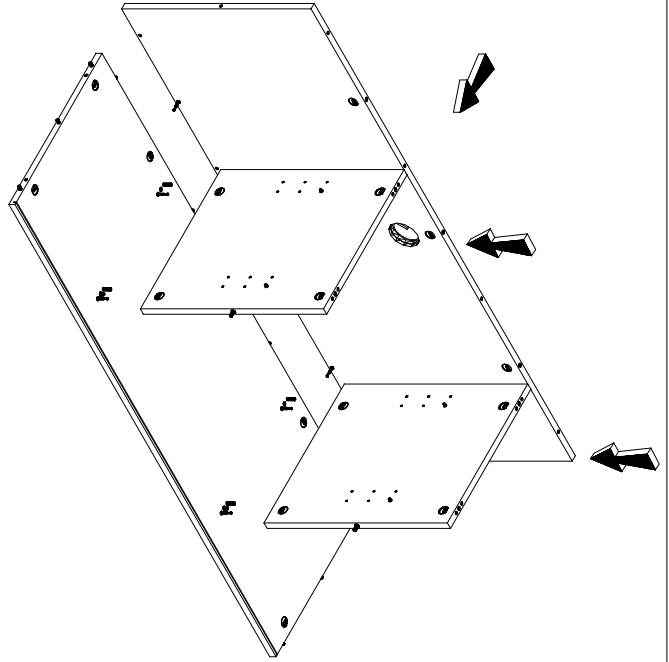




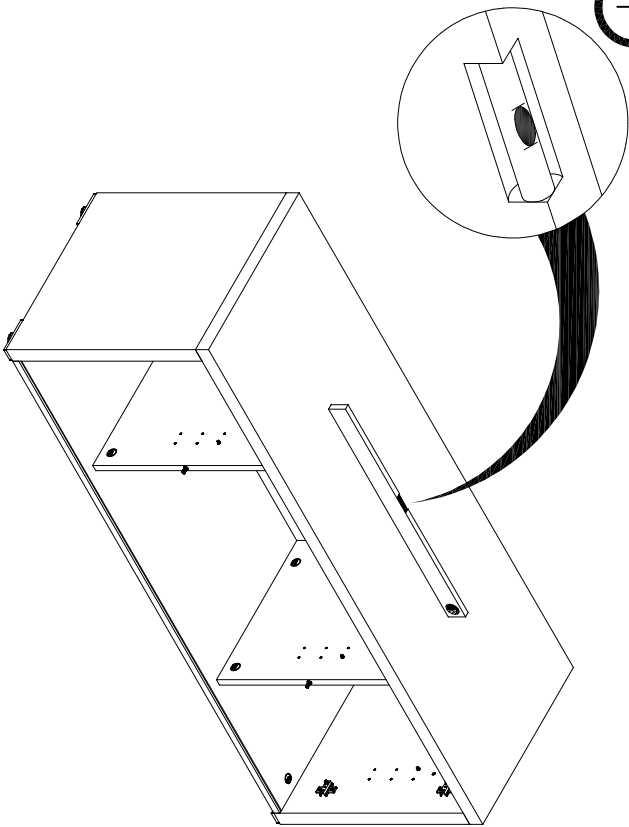
(H)



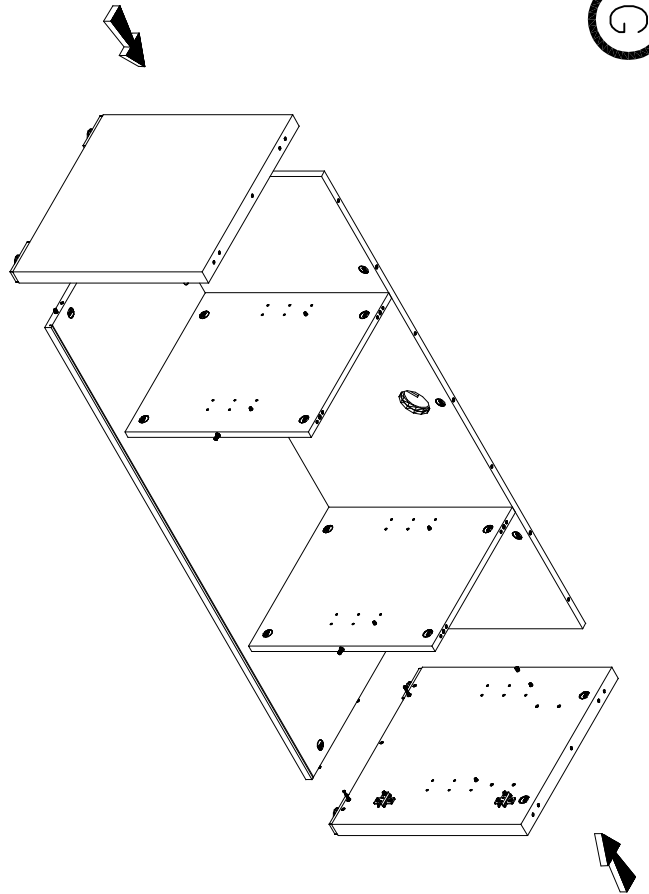
(I)



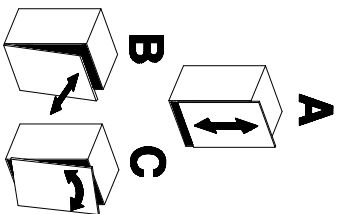
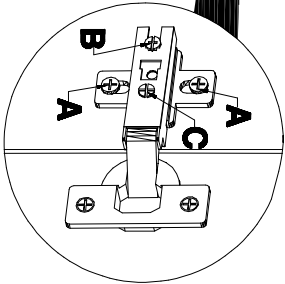
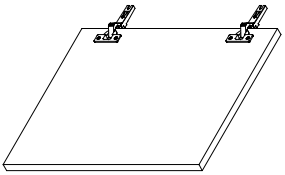
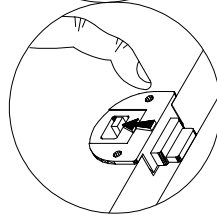
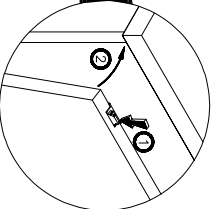
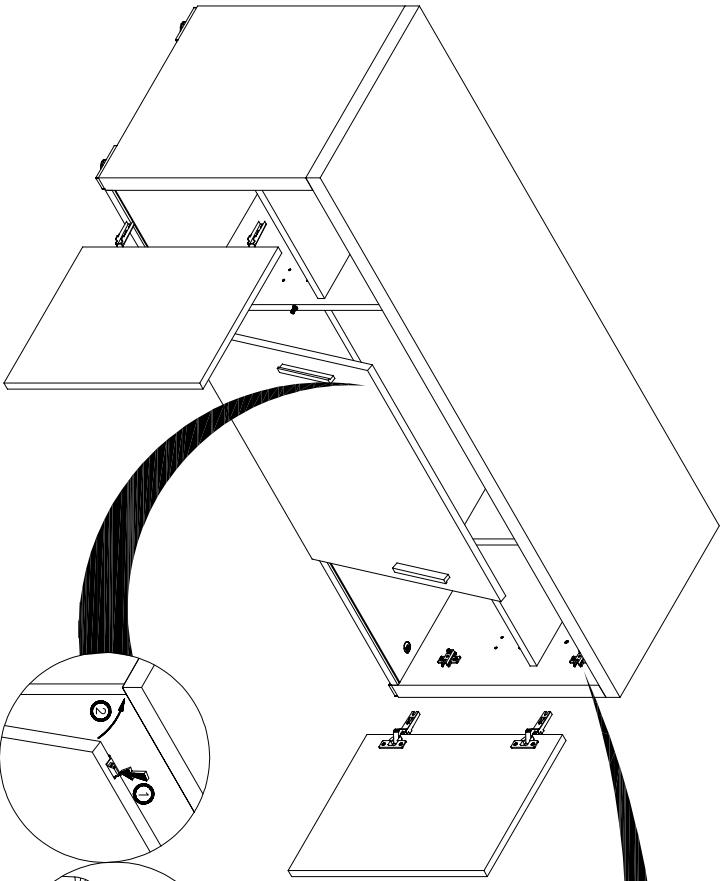
(J)



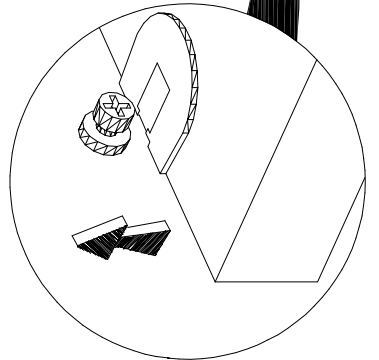
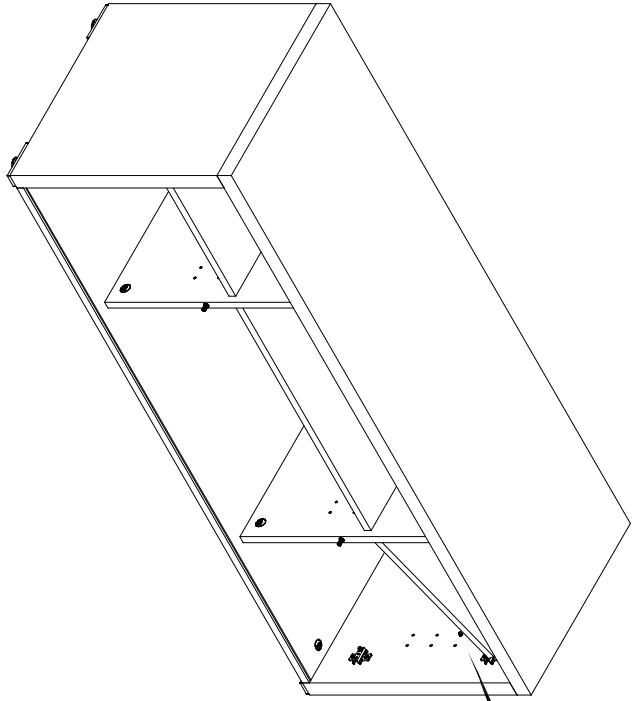
(K)

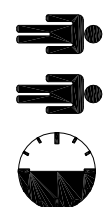


K



J

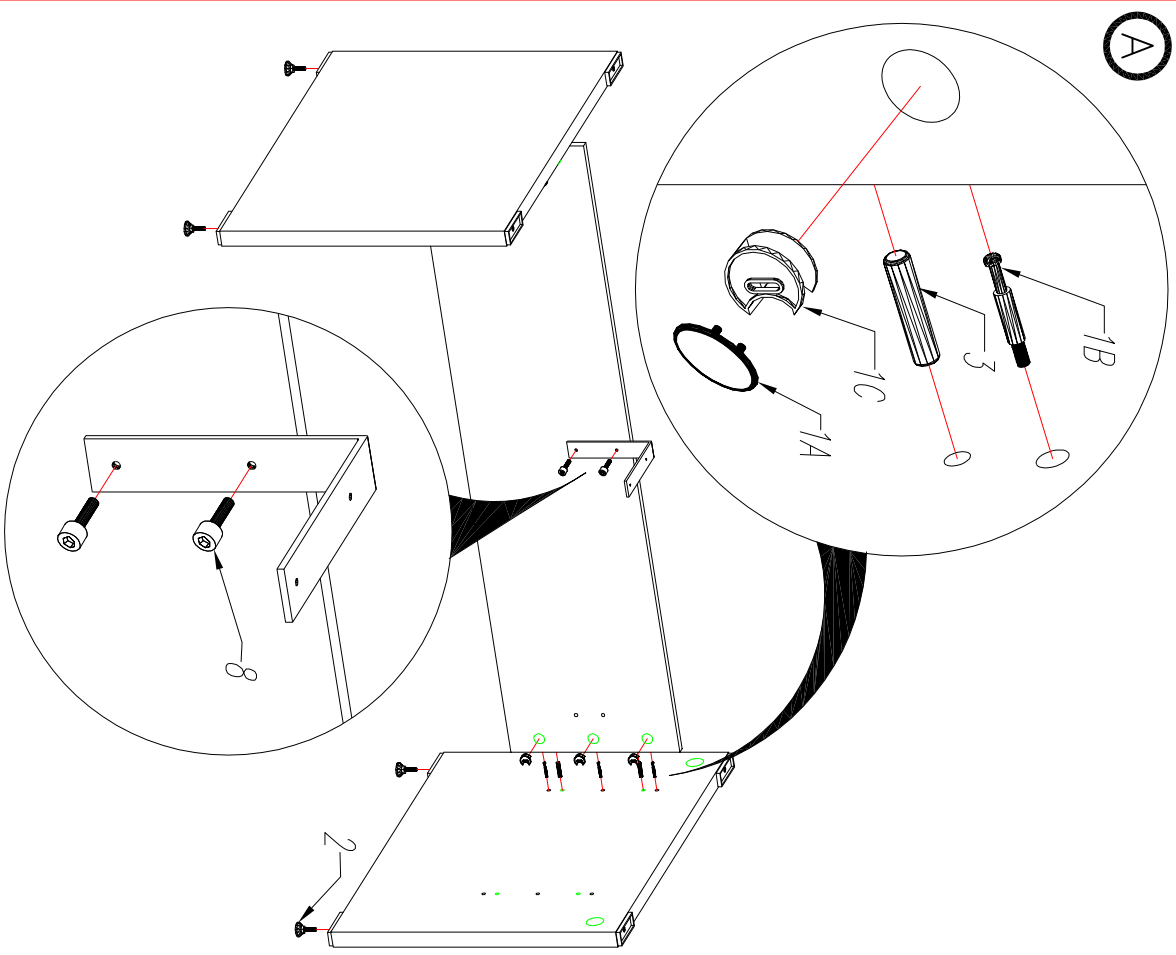




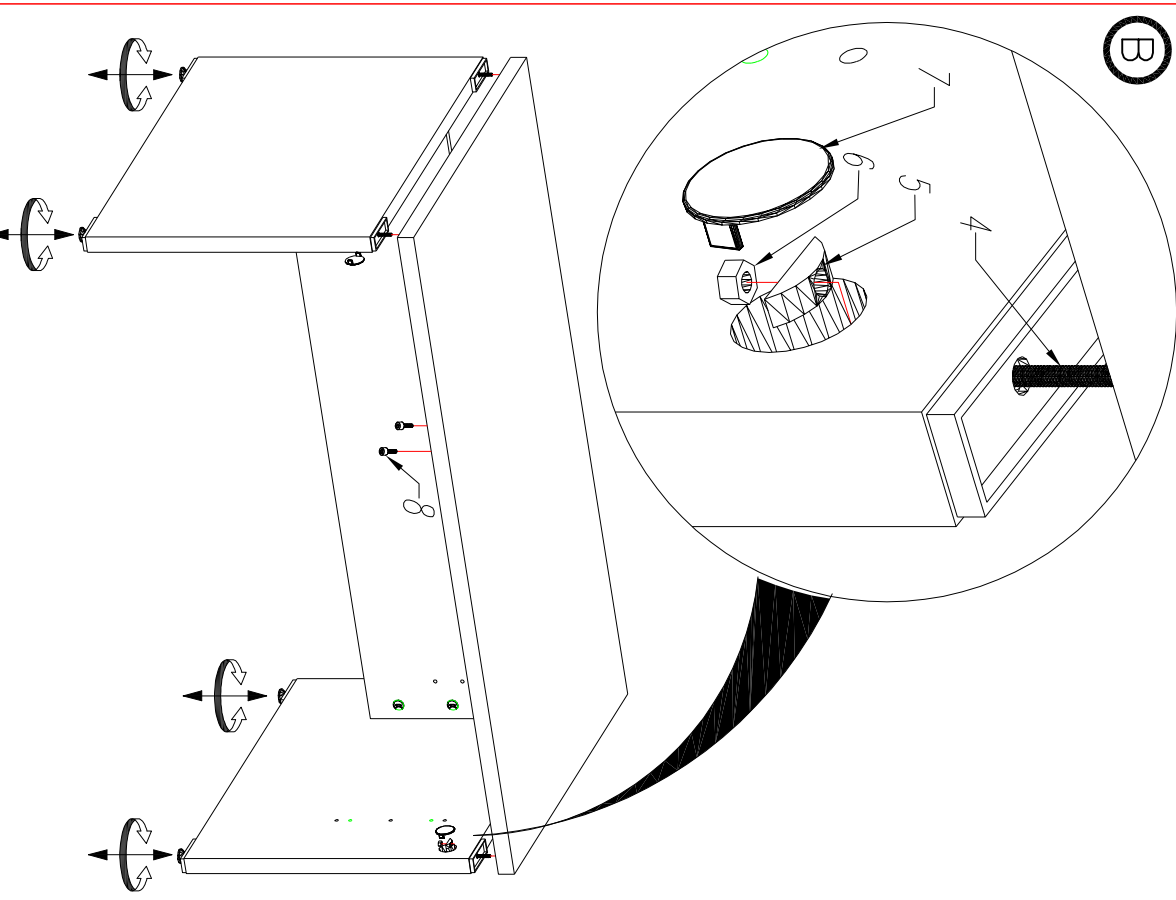
# Q16\_Q19

1		1A 1B
2		
3		Ø8x36
4		M6x98
5		
6		
7		
8		M6x14

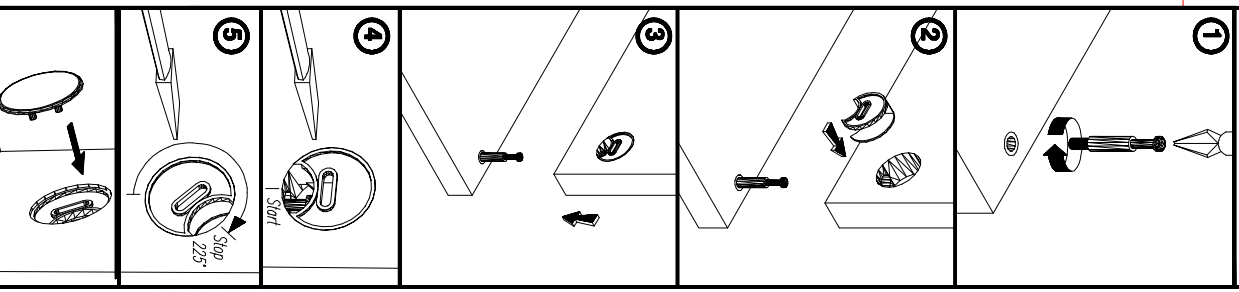
(A)

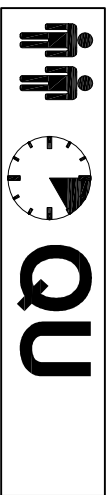
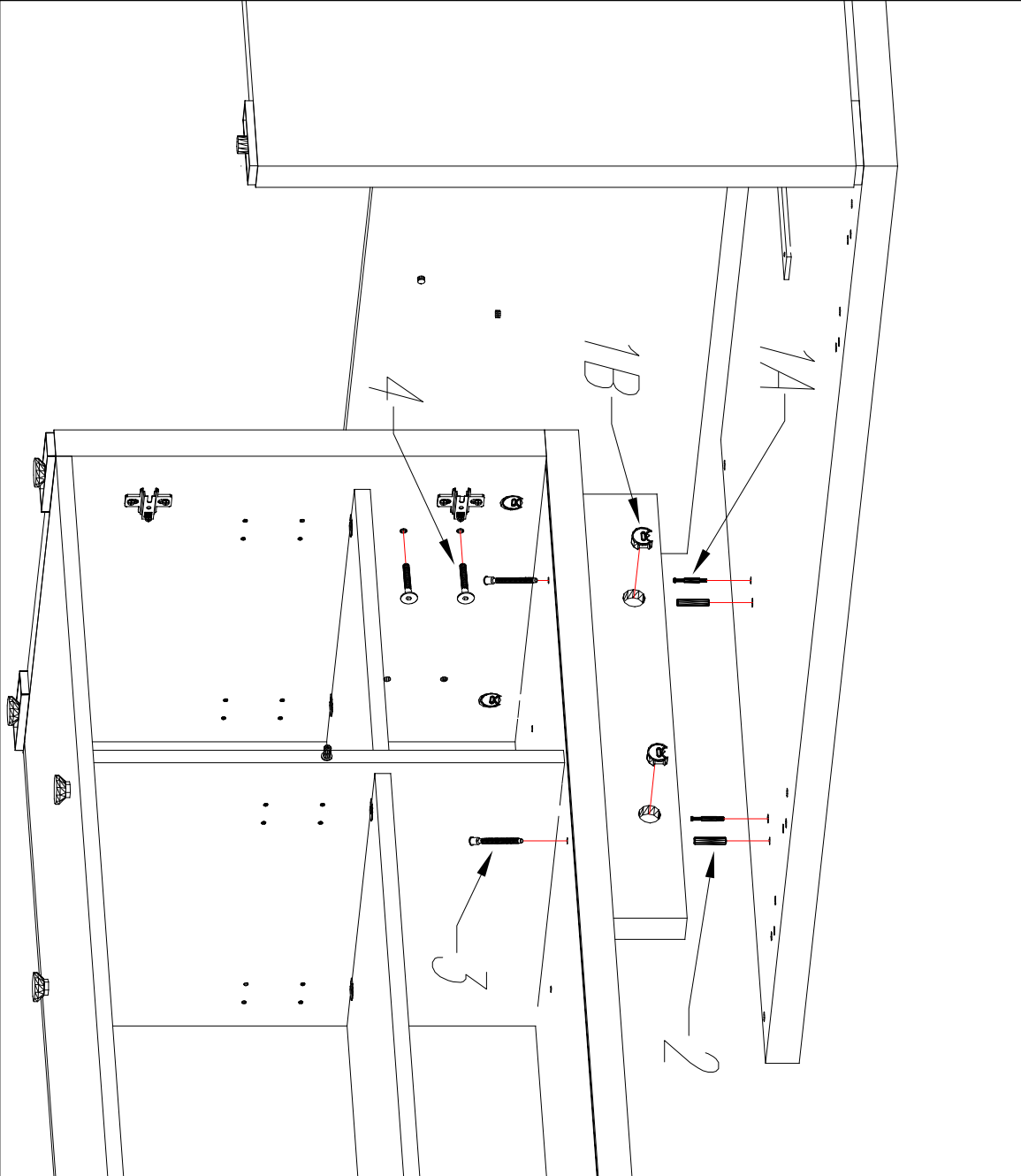
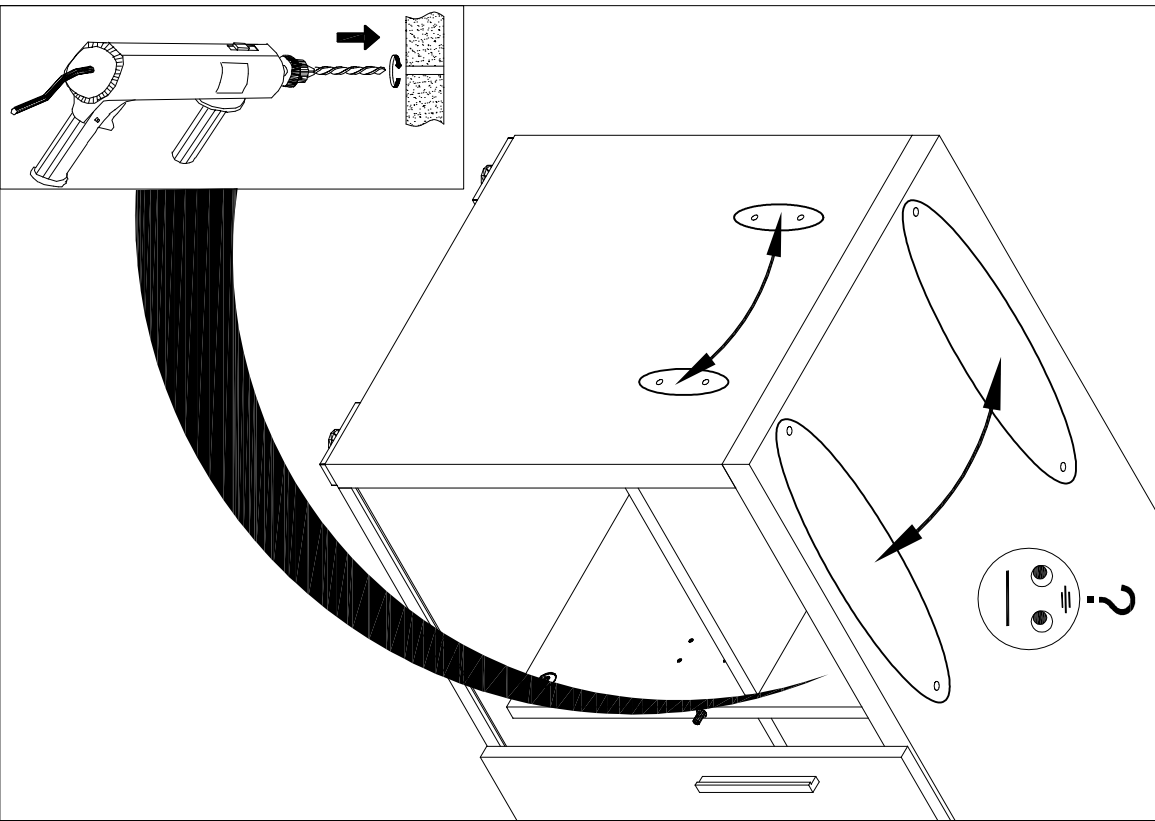
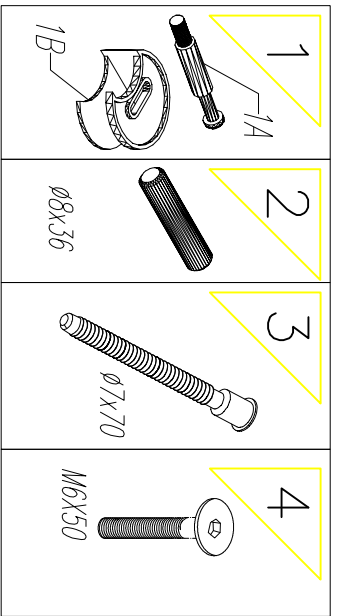


(B)

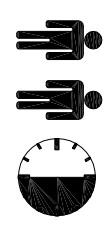


KOLEJNOŚĆ MONTAŻU  
MIMOSRODOW.  
THE FITTINGS SEQUENCE OF THE  
CAMS.  
DIE MONTAGEFOLGE VON  
EXZENTERN.



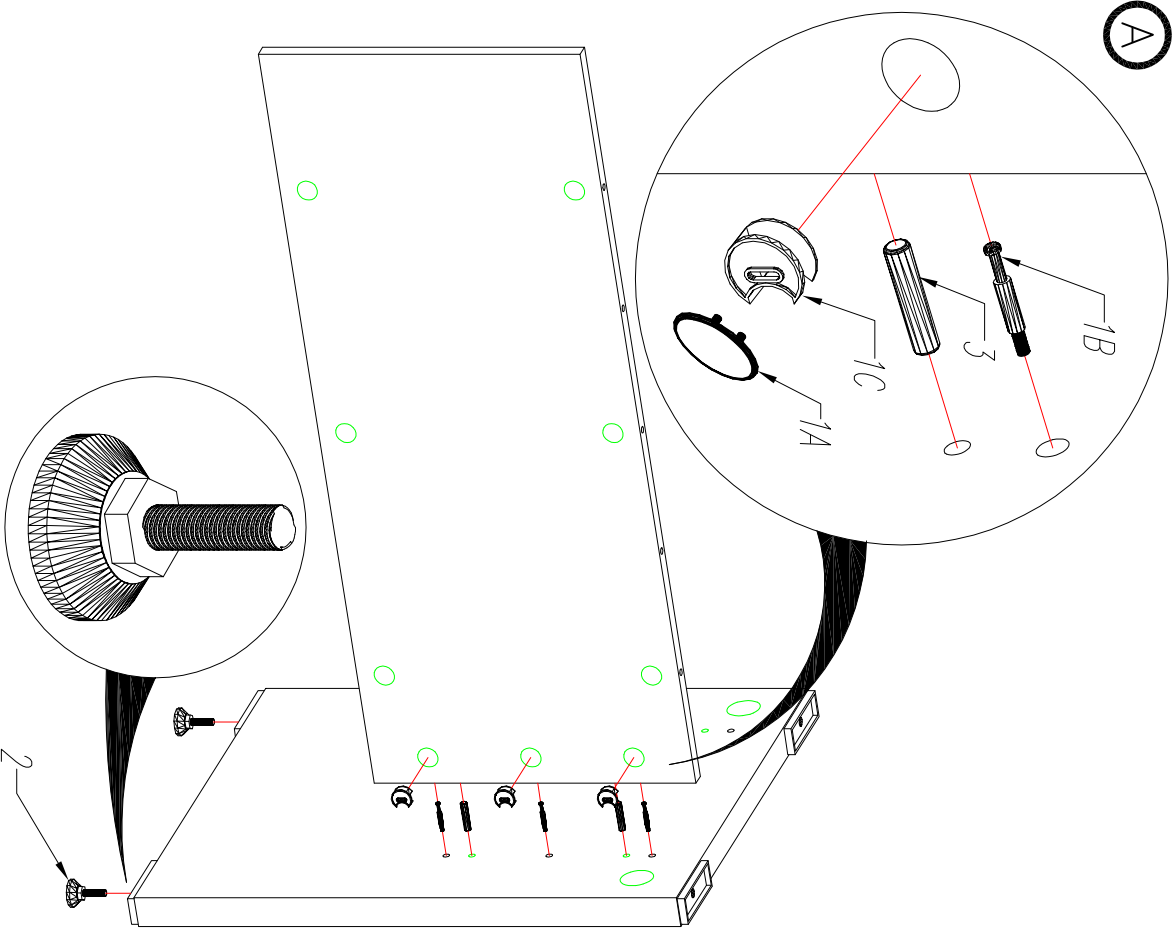


# Q10

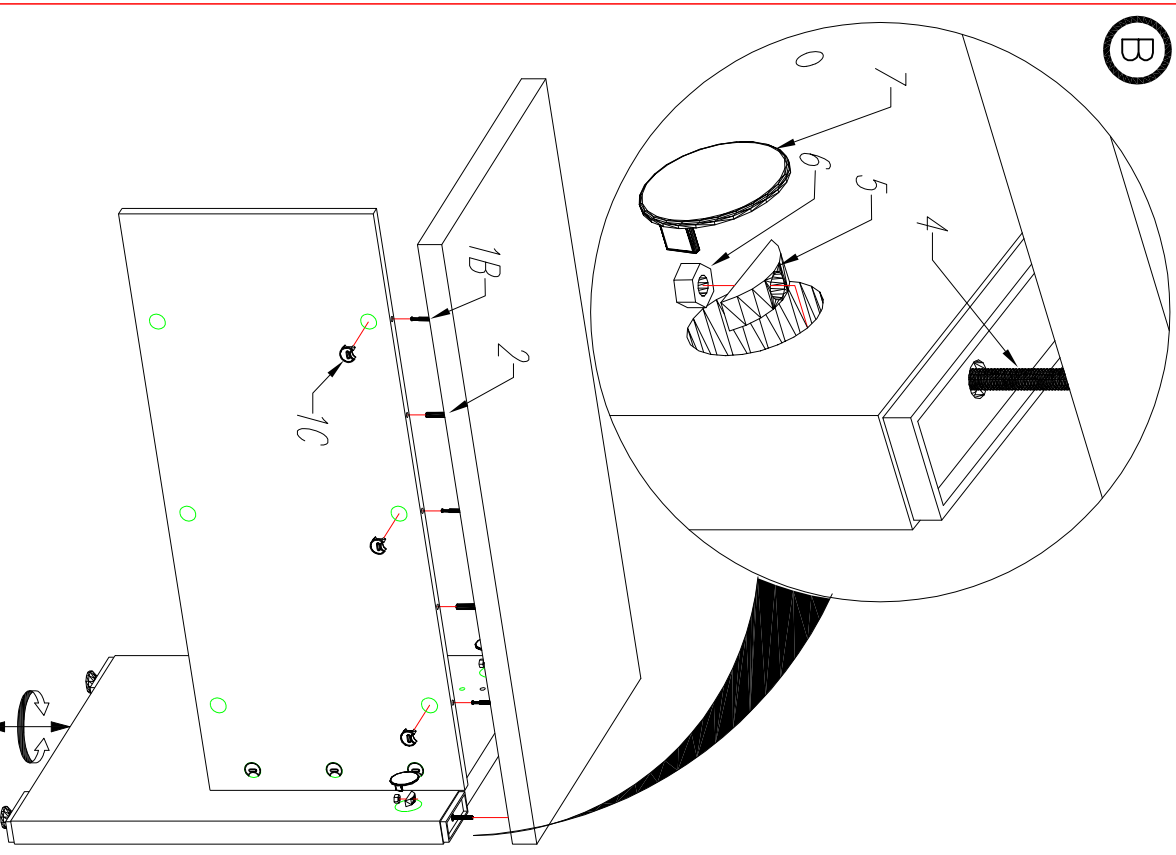


- |    |  |       |     |
|----|--|-------|-----|
| 1  |  | 1A    | 1B  |
| 1C |  | x6    |     |
| 2  |  | x2    |     |
| 3  |  | ø8x36 | x4  |
| 4  |  | M6x98 | x2  |
| 5  |  | x2    |     |
| 6  |  | x2    |     |
| 7  |  | x2    |     |
| 8  |  | M6x14 | x12 |

(A)

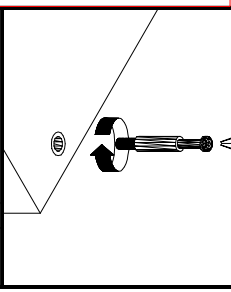


(B)

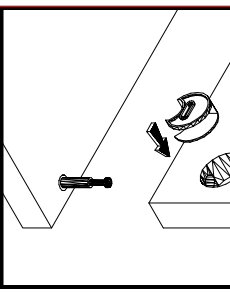


KOLEJNOŚĆ MONTAŻU  
MIMOSRODOW.  
THE FITTINGS SEQUENCE OF THE  
CAMS.  
DIE MONTAGEFOLGE VON  
EXZENTERN.

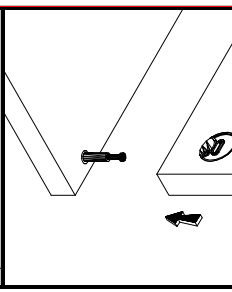
①



②



③



④



⑤

