

FLIP-TOP and FOLDING conference tables



FEATURES

FLIP-TOP

- Once the top is flipped, the tables can be stored to save space;
- Because of the folding mechanism and castors, the FLIP-TOP tables are quickly installed and easily reconfigured by users;
- Bolted connections to tabletop (no wood screws);
- Easy to assemble and disassemble - "metal to metal" construction;
- Just one tool for assembling (DIN911 S5).

FOLDING

- Because of the folding mechanism, the FOLDING tables are quickly installed;
- Once the feet are flipped, the tables can be stored to save space.

TECHNICAL INFORMATION

FLIP-TOP



Tabletop

- 25 mm MFC (melamine) with 2 mm ABS edging;
- To avoid height differences between desktops while grouping desks together it is recommended to order fittings (COZ005).

Frame

- Metal beam tube - 100x40 mm;
- Flip-top mechanism tube - 50x25 mm;
- Powder coated metal frame in dark grey color;
- Legs made from metal tubes;
- Oval vertical metal tube 76x25 with molded metal base;
- Powder coated metal;
- Each leg has two Ø 60 mm castors with brakes.

FOLDING



Tabletop

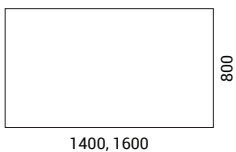
- 25 mm MFC (melamine) with 2 mm ABS edging.

Legs

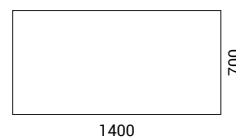
- Welded metal tube – Ø 30 mm;
- Chromed metal.

RANGE

FLIP-TOP



FOLDING



Optional



Fittings for desktop connection

FLIP-TOP.II conference tables



FEATURES

- Once the top is flipped, the tables can be stored to save space;
- Because of the folding mechanism and castors, the FLIP-TOP II tables are quickly installed and easily reconfigured by users;
- Bolted connections to tabletop (no wood screws);
- Easy to assemble and disassemble – “metal to metal” construction.

TECHNICAL INFORMATION

Tabletop

- 25 mm MFC (melamine) with 2 mm ABS edging;
- With or without cut-out for grommet and wire management.

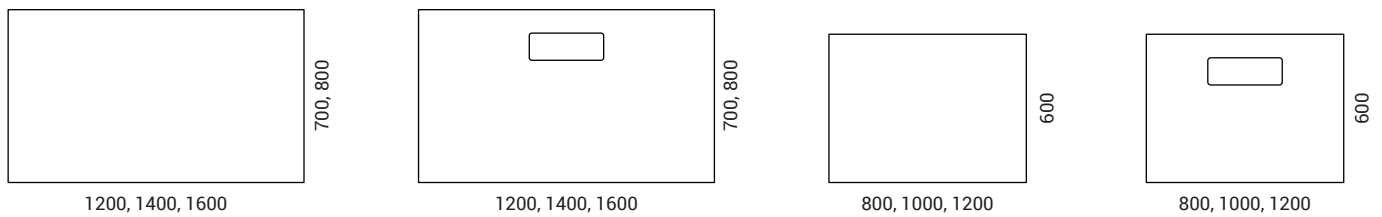
Frame

- Metal tube – 100x40 mm;
- Flip-top locking mechanism tubes – 50x25 mm;
- Always in powder coated metal dark grey color (T1, RAL7016).

Legs

- Metal tube – 80x30 mm;
- Leg feet – 4 mm thickness sheet metal, bent and welded;
- Powder coated metal;
- Two Ø50 mm castors with brakes.

RANGE



Must be ordered (for desktop with cut-out)

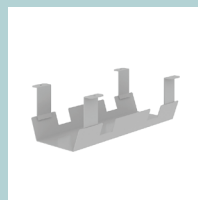


Metal grommet
317x119, H=27 mm

Optional



Cable tray
500x100, H=110 mm
Fits 1000, 1200, 1400,
1600 mm width tables.



Cable tray
360x180, H=110 mm
Fits only 800 mm
width tables.



Cable clips 3 pcs.

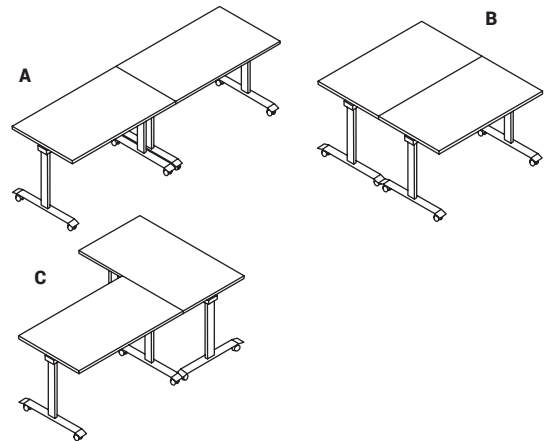
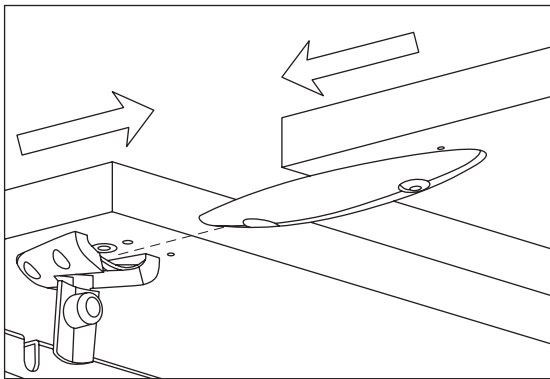


Fittings for desktop
connection*
180x50, H=17 mm

*To connect two tables together and avoid height differences between desktops while grouping desks.

ADDITIONAL INFORMATION

Connection of two tables



- Connection (A and C) is possible only for two same depth tables.
- Connection (B) is possible only for two same width tables.
- 90 degree (C type) connection not possible for 800 mm width tables.

Stacking example of five tables

