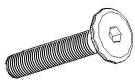





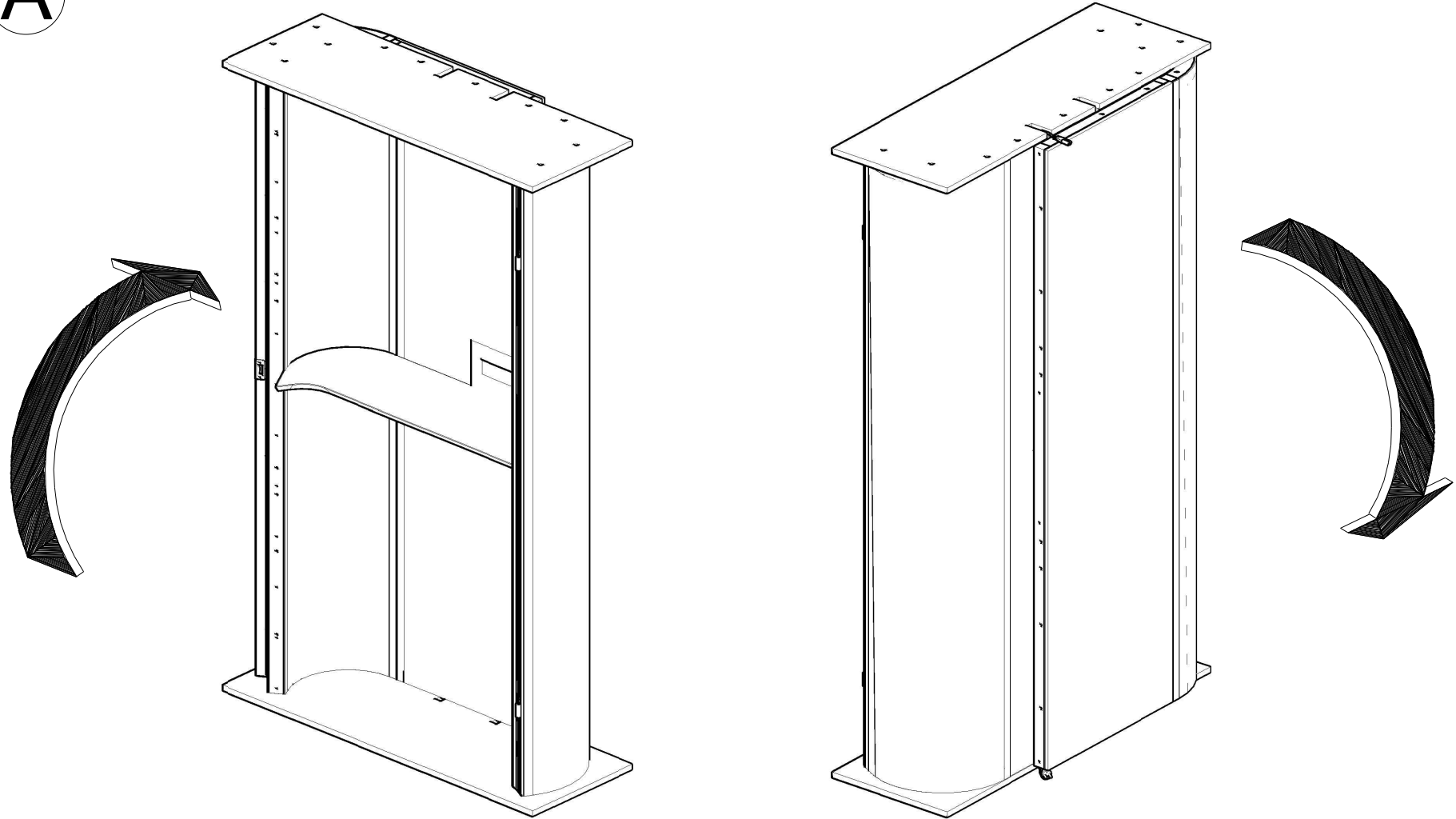
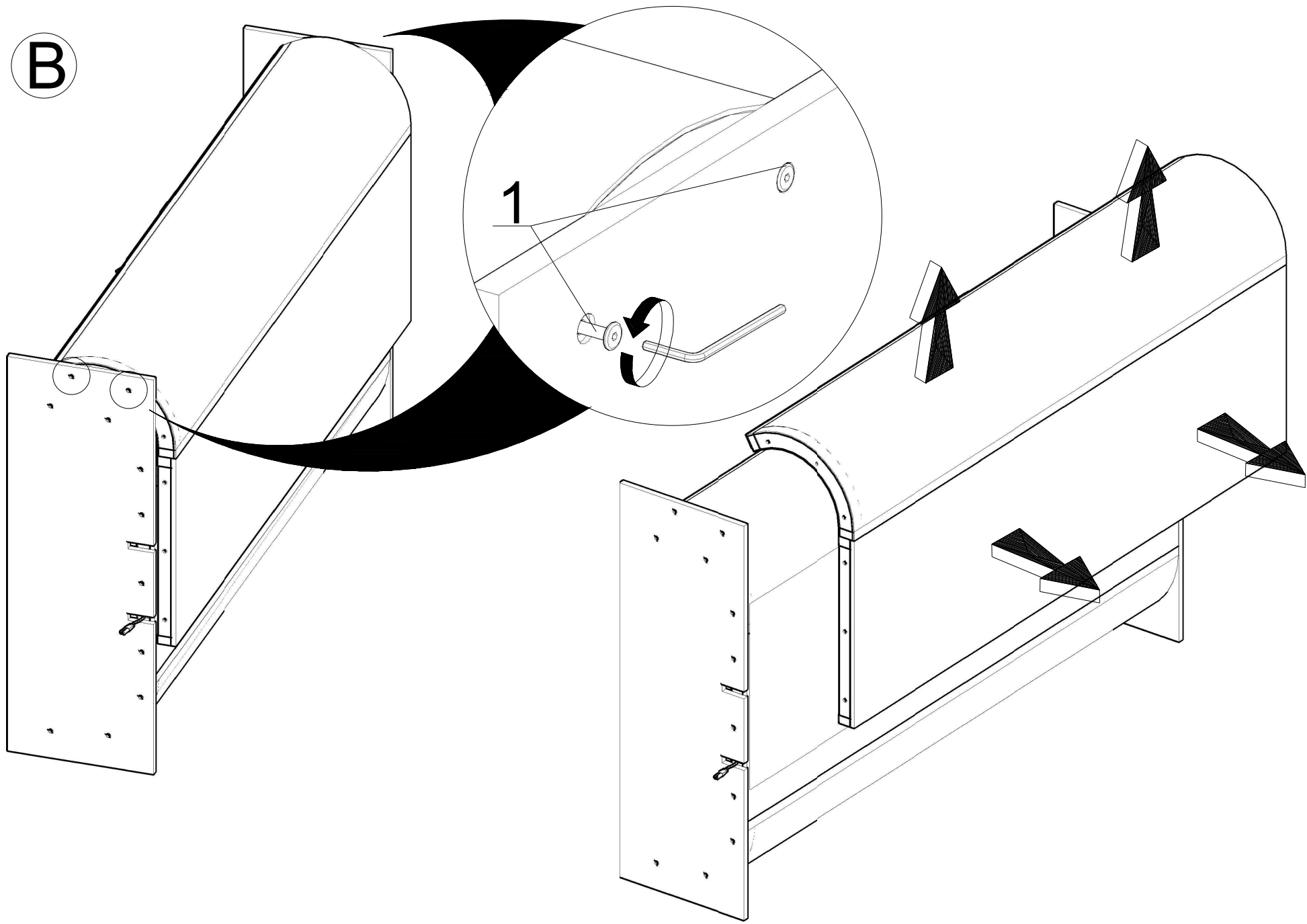


<p>1</p>  <p>M6x35 WWI</p>	<p>2</p>  <p>M6x60 WWI</p>	<p>3</p>  <p>Ø3.5x16 stoż.</p>	<p>4</p>  <p>Ø3x20 stoż.</p>	<p>5</p>  <p>M6x16</p>		<h1>HN01</h1>
---	---	---	---	---	---	---------------

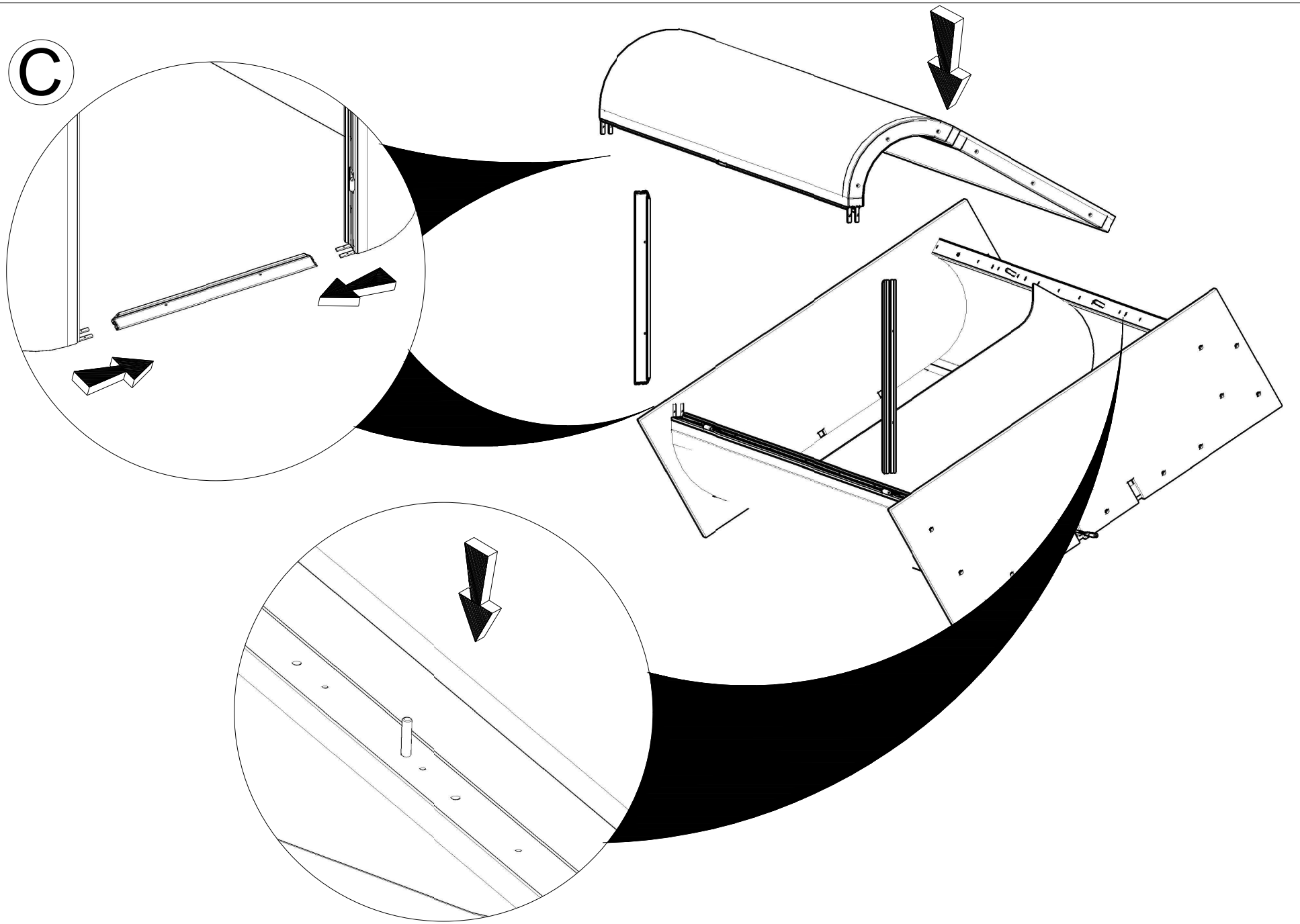
A



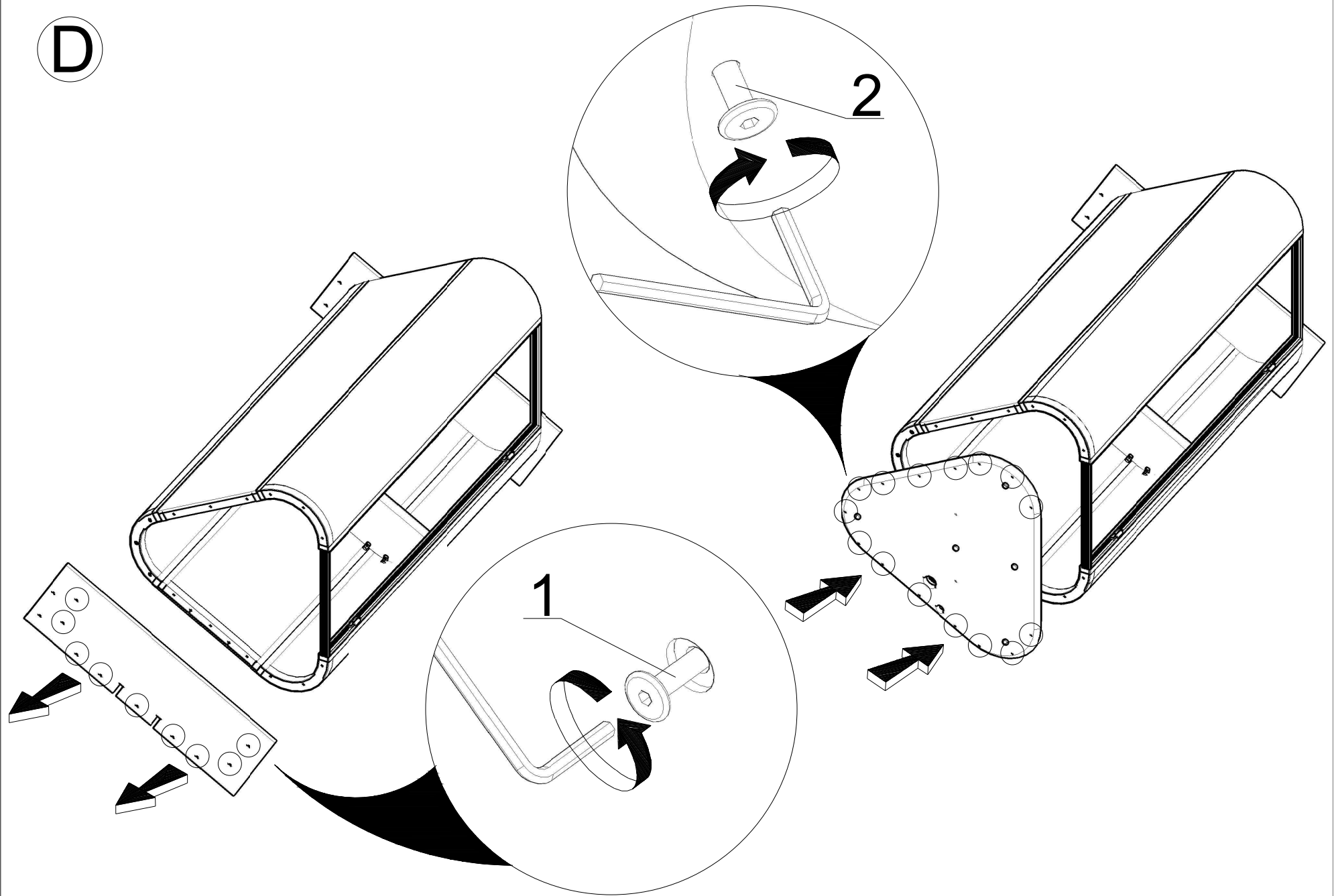
B



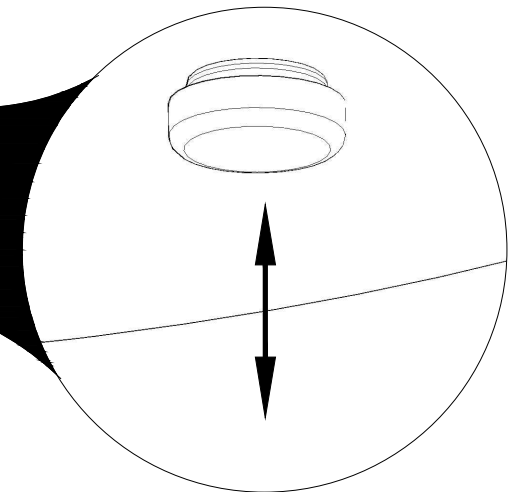
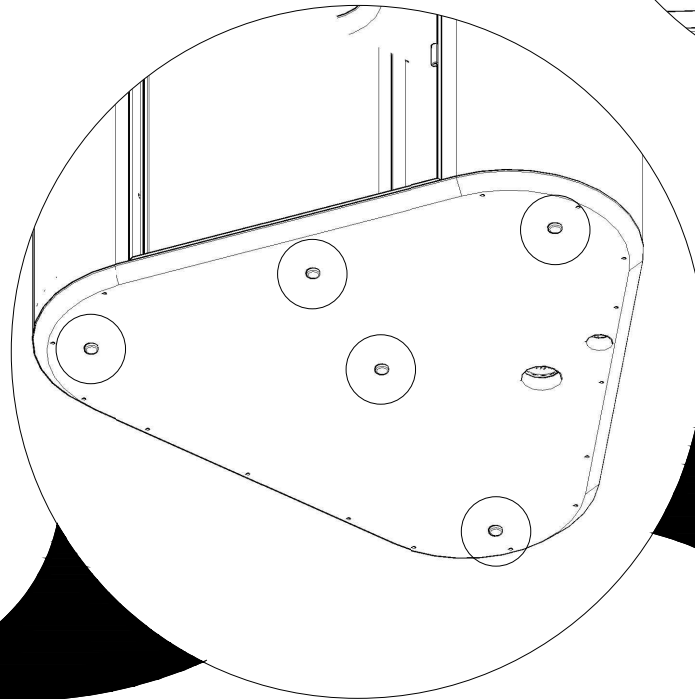
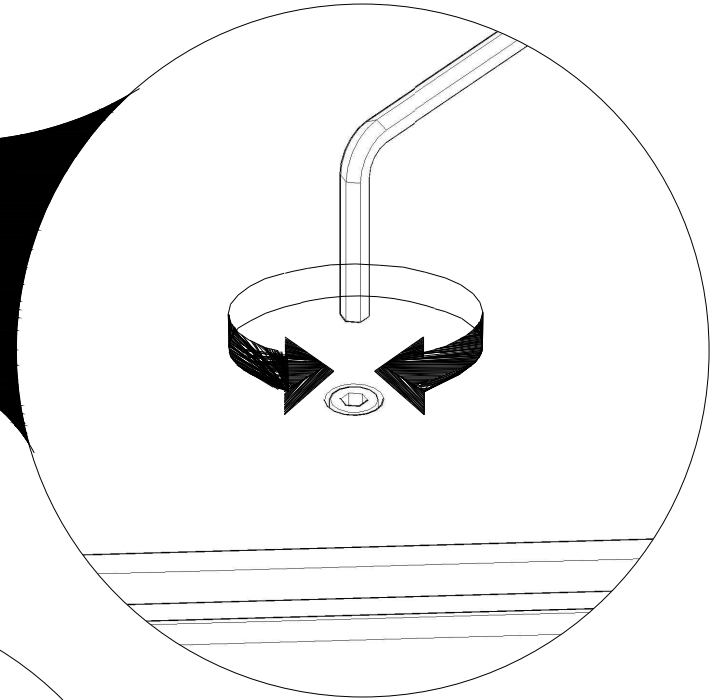
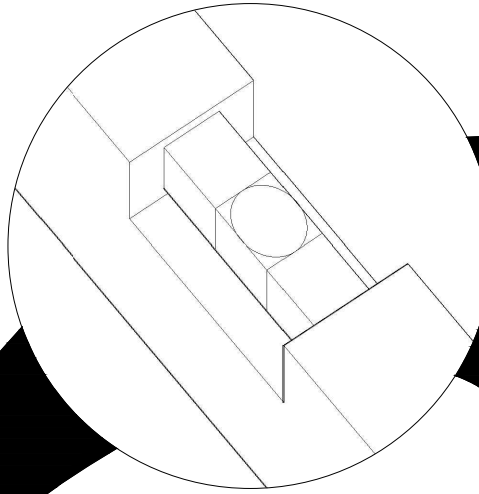
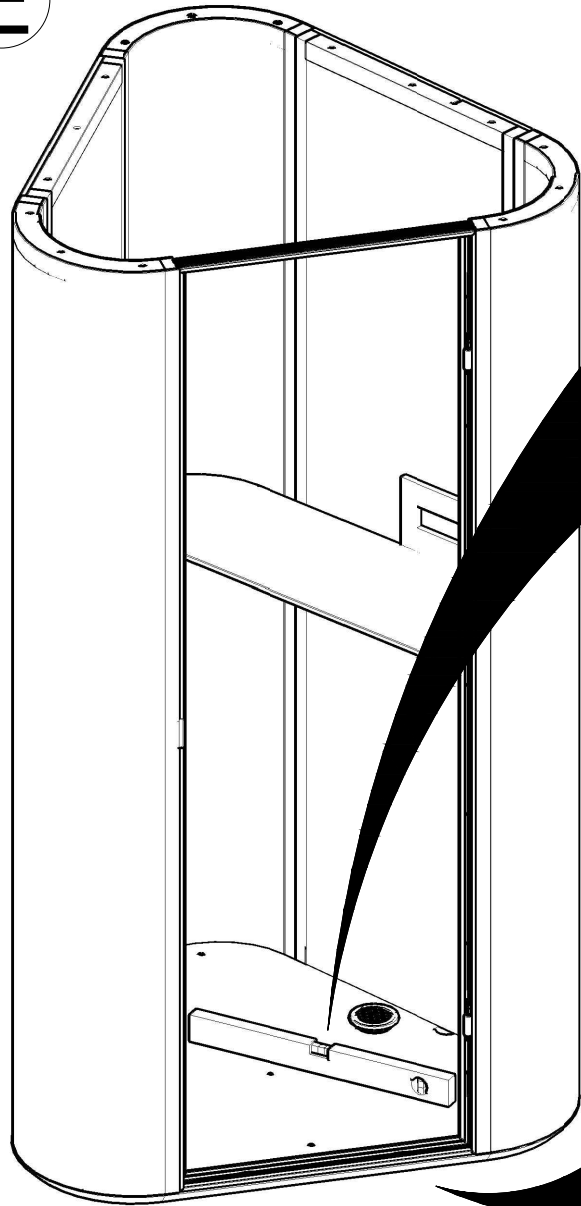
C



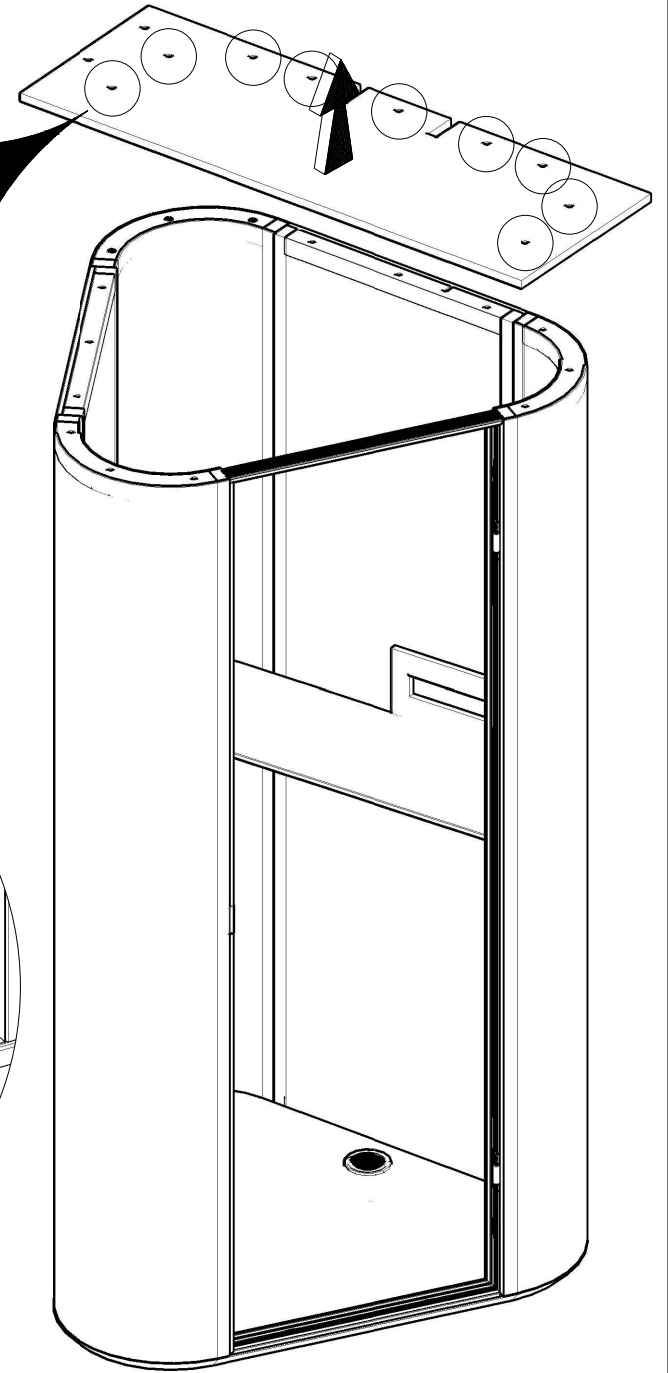
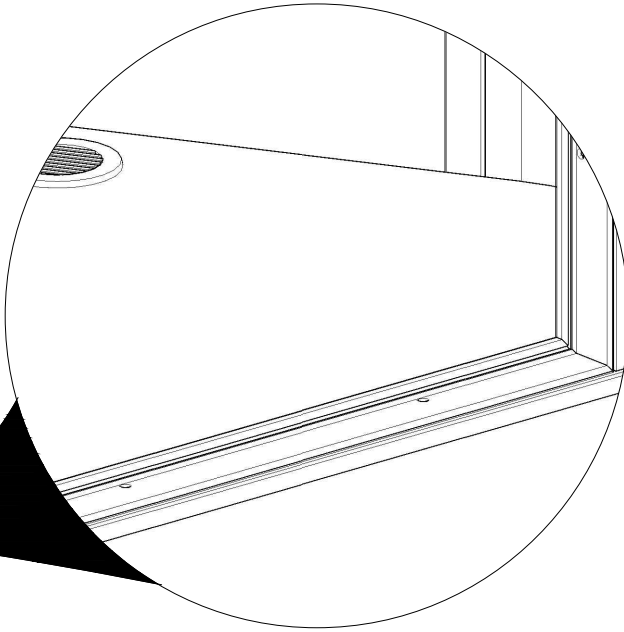
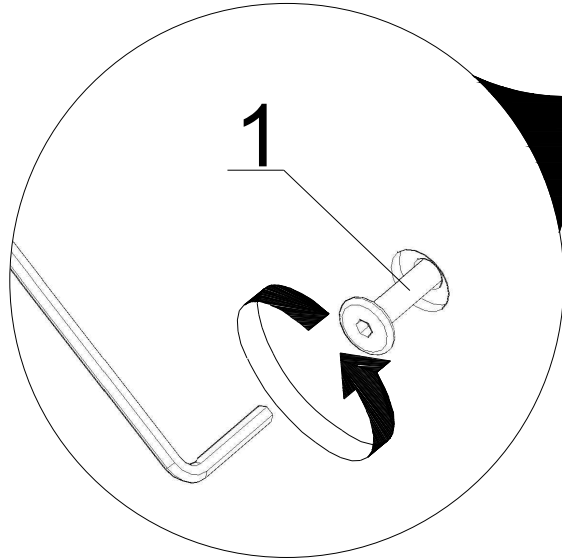
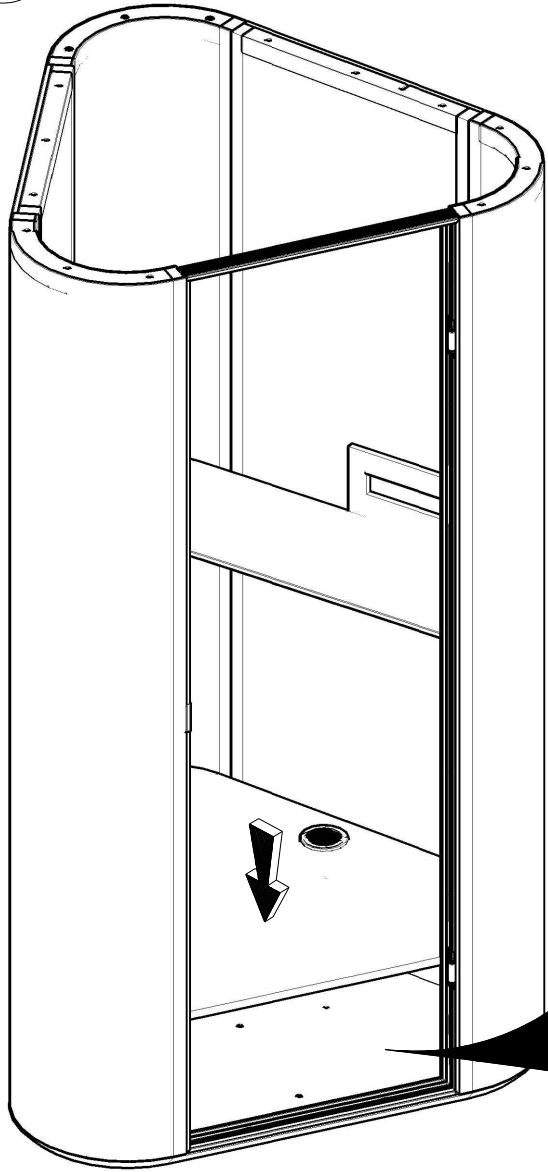
D



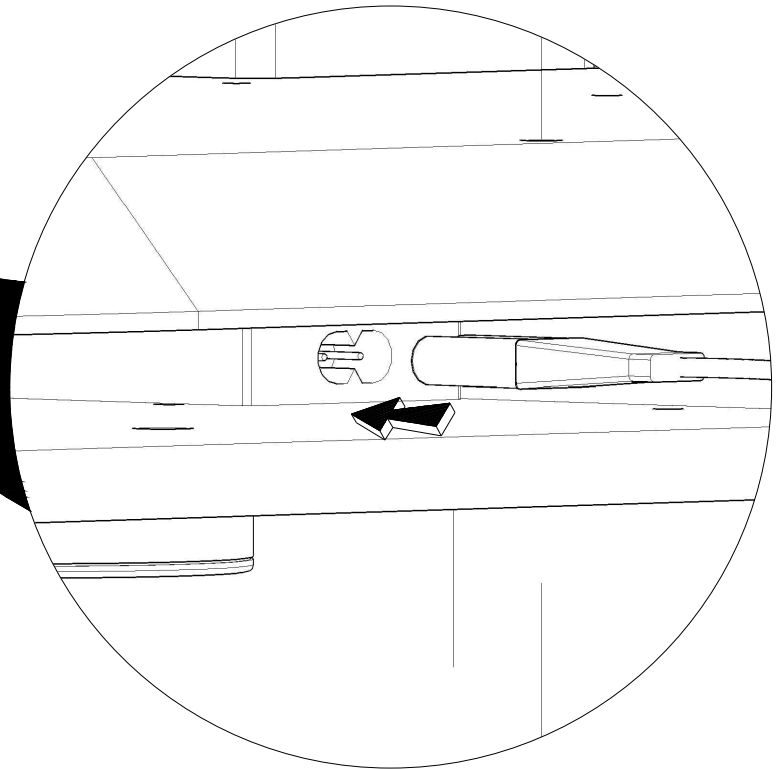
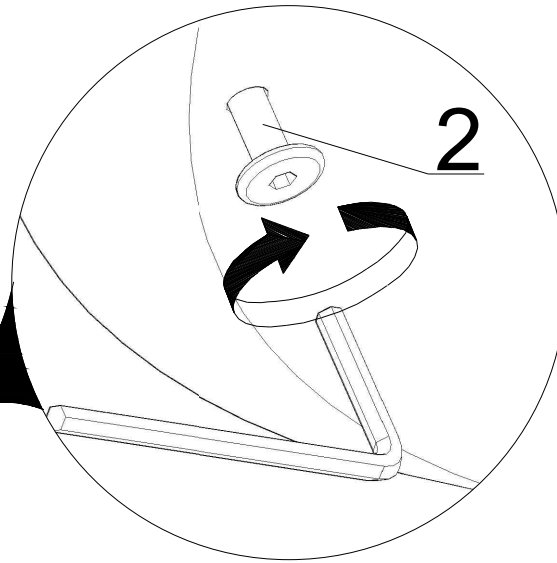
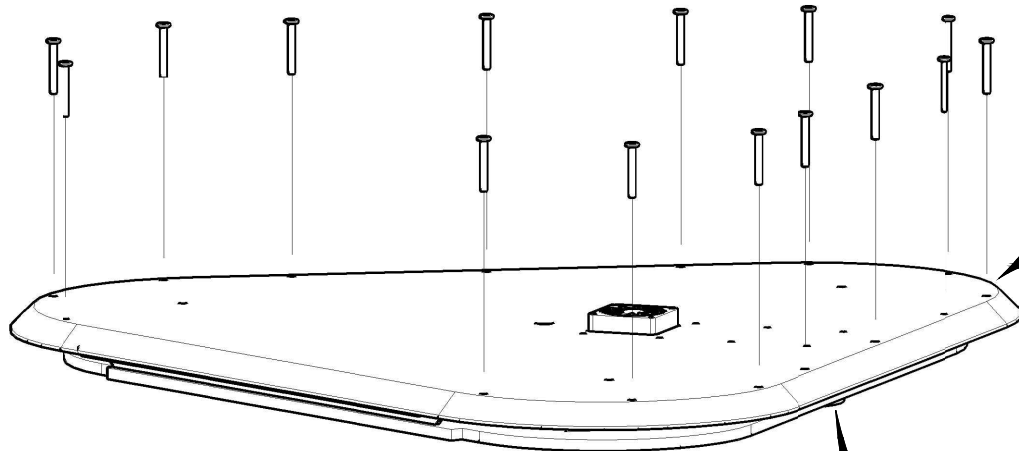
E



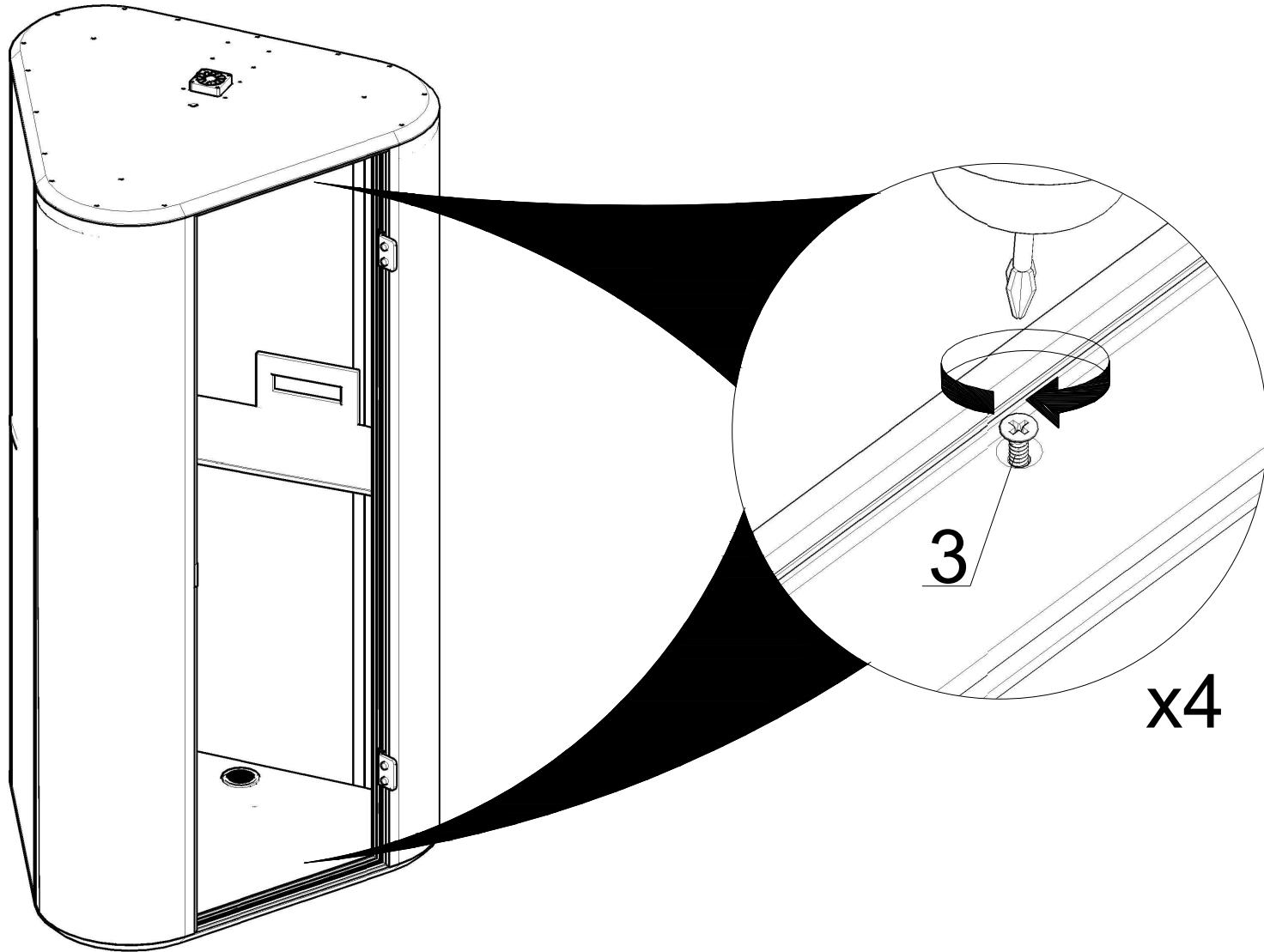
F



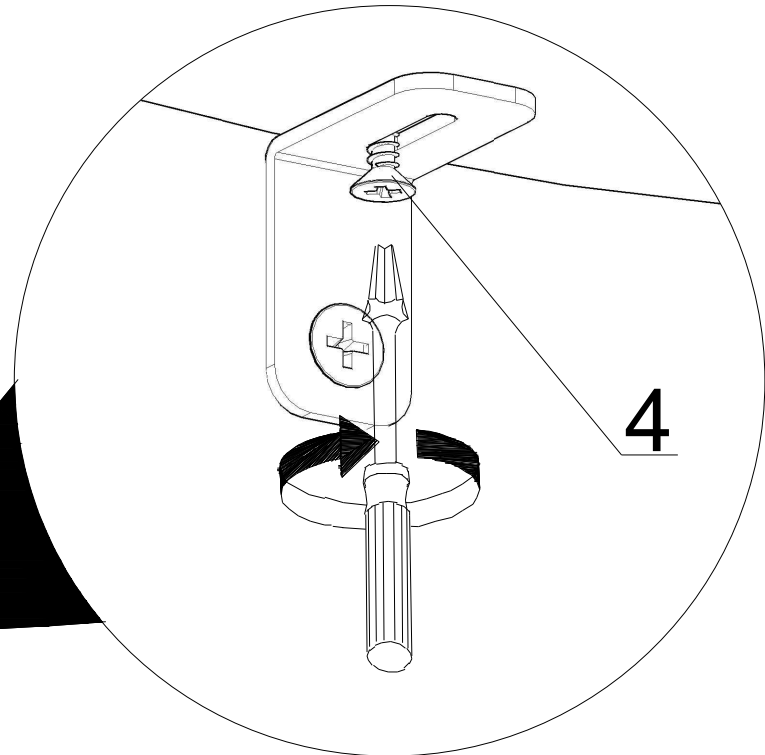
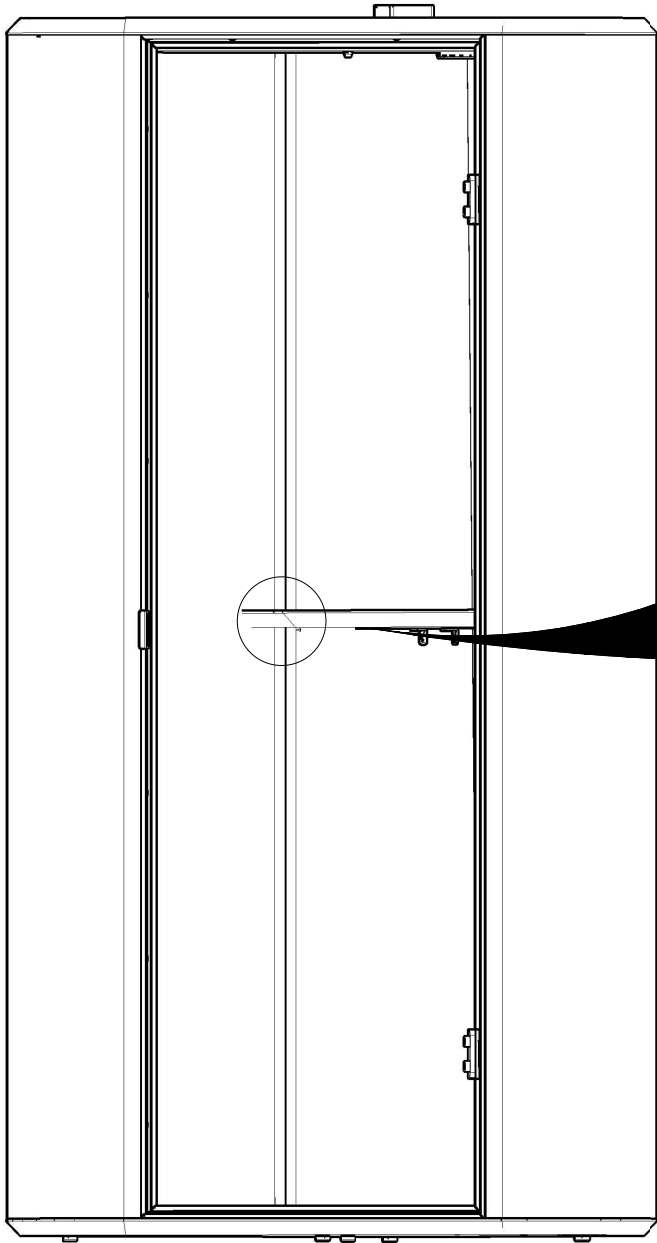
G

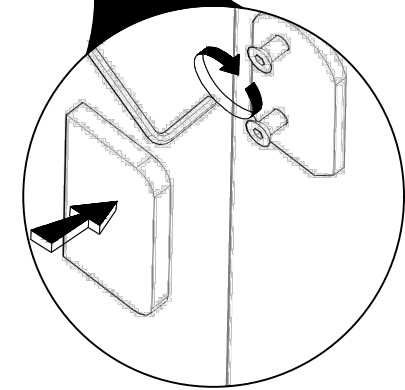
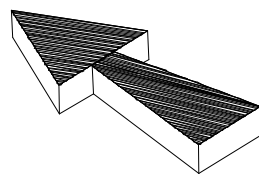
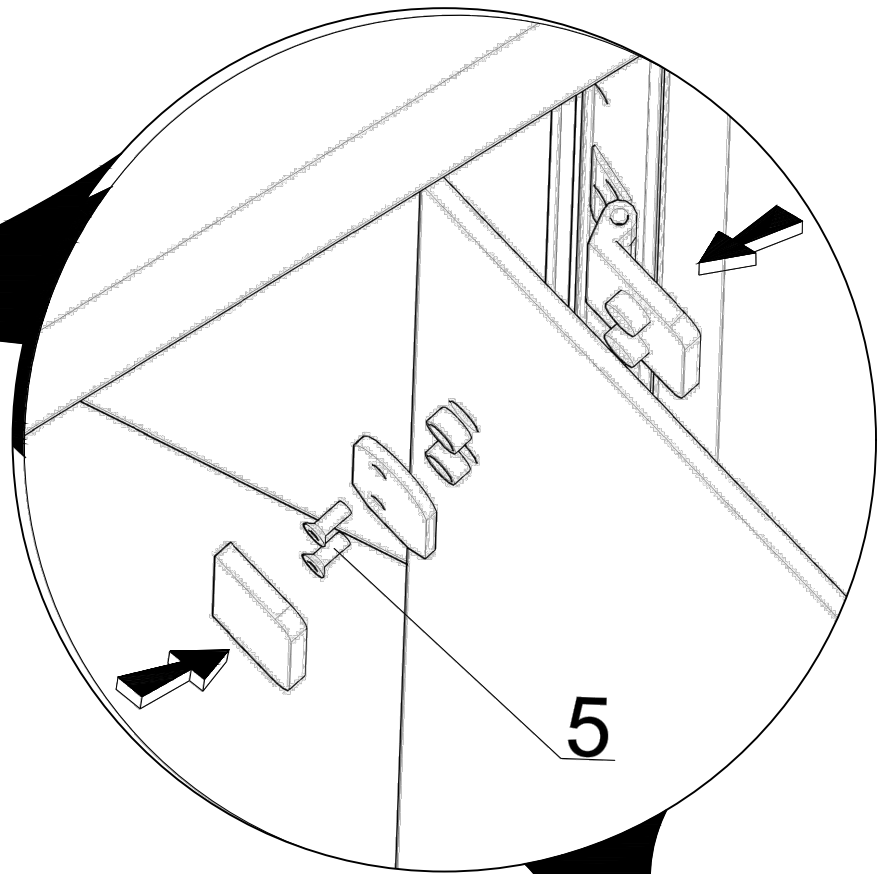
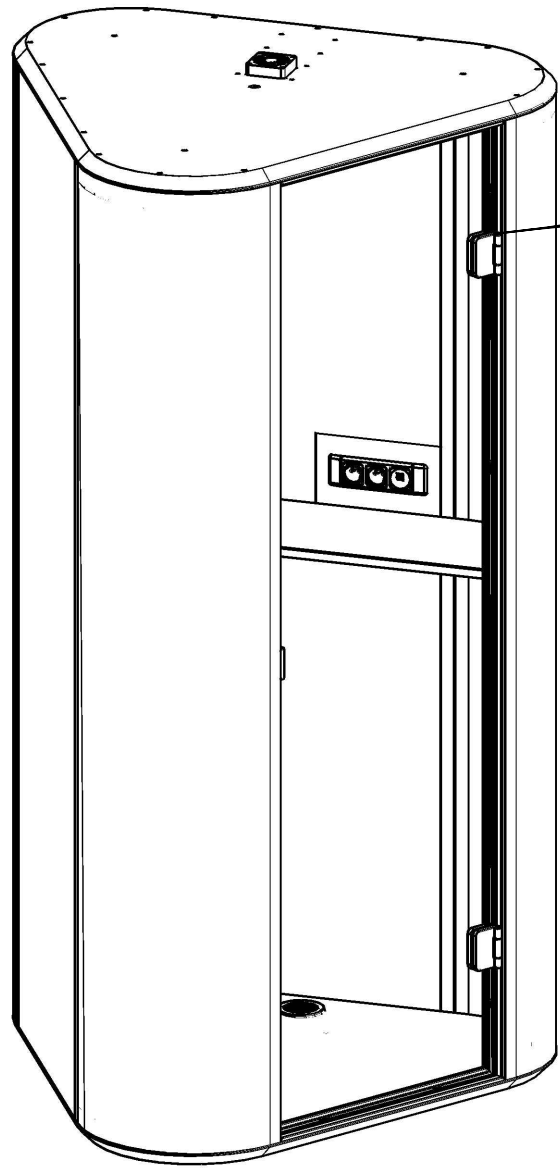


H



I





K

