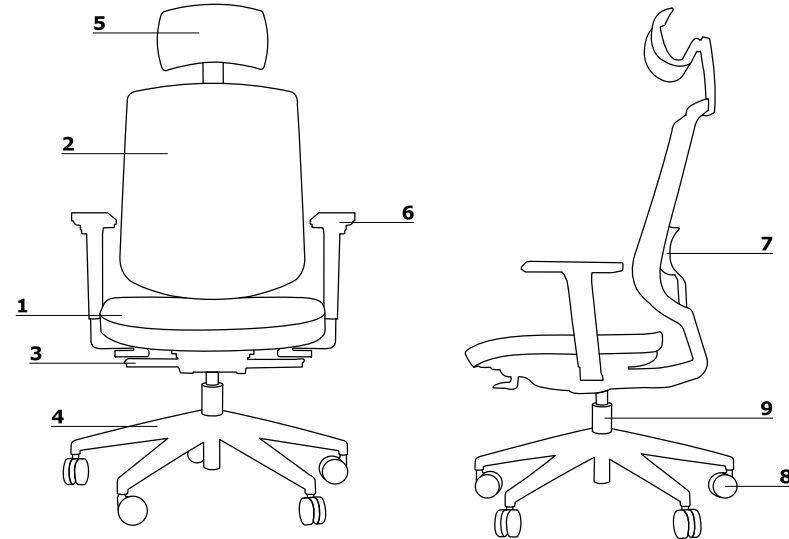
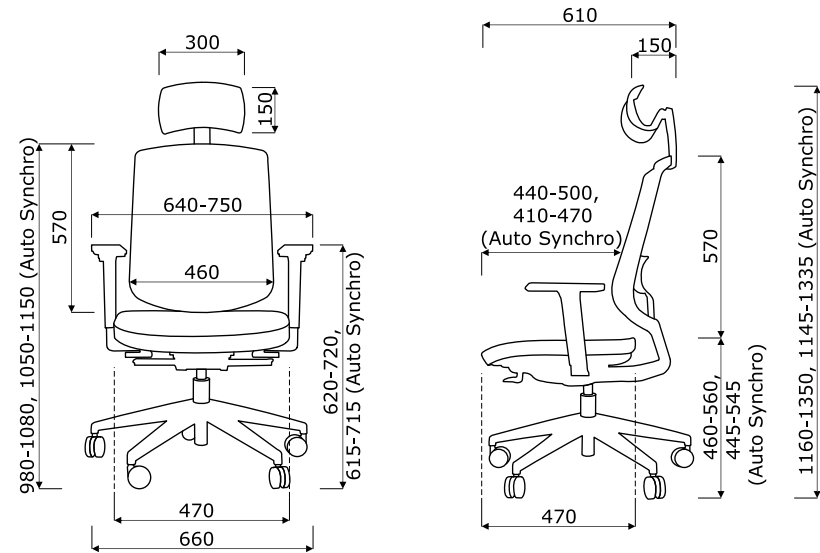


Technical specification

- 1 Seat** - moulded foam, density of 66 kg/m³, 55 mm thick; upholstered, sliding
- 2 Backrest** - mesh in Runner colours
- 3 Mechanism** - Auto Synchro; OPTION WITH EXTRA CHARGE - Synchro Pro
- 4 Base** - 5-star, polypropylene, Ø=680 mm, h=124 mm; OPTION WITH EXTRA CHARGE - 5-star, polished aluminium, Ø=680 mm, h=124 mm
- 5 OPTION WITH EXTRA CHARGE** - headrest - black mesh
- 6 OPTIONS WITH EXTRA CHARGE:**
 - armrest 2D - V3 - polyurethane, colour: black
 - armrest 3D - V3 - polyurethane, colour: black
- 7 OPTION WITH EXTRA CHARGE** - manual height adjustable (60 mm) lumbar support
- 8 Castors** - Ø65 mm, for soft floors PP+PA, colour: black; OPTION WITH EXTRA CHARGE - for hard floors PP+PA, colour: black
- 9 Actuator** - steal gas spring; adjustment range 100 mm; colour: chrome or black



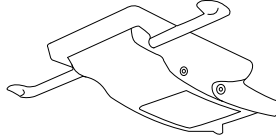
Dimensions (mm)



Mechanism

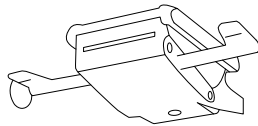
AUTO SYNCHRO

- synchronized automated regulation chair back press mechanism
- designed for usage 45 and 120kg
- allows the backrest to tilt from 0° to 18° and the seat to tilt from 0° to 4,5° at the same time
- it is possible to lock the backrest only in the 0° position
- seat depth adjustment range 100 mm, possibility to lock in 11 different positions



SYNCHRO PRO

- tilt angle of the backrest 25° and the seat 10°
- designed for usage 45 and 120kg
- additional seat and backrest tilt of 3°
- 3 blocking positions of the backrest
- Anti - shock system
- adjustment of lateral tension
- seat depth adjustment range 100 mm, possibility to lock in 11 different positions



Armrests

1 Adjustable armrest - 2D-V3

- width adjustment (A)
- height adjustment (B)

2 Adjustable armrest - 3D-V3

- width adjustment (A)
- height adjustment (B)
- depth adjustment (width adjustment inwards) (C)

