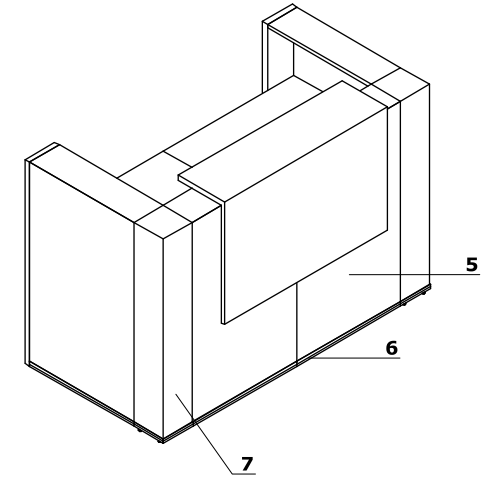
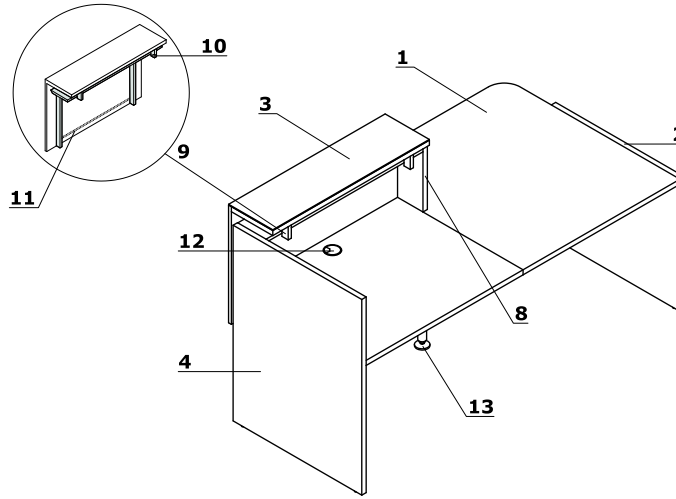
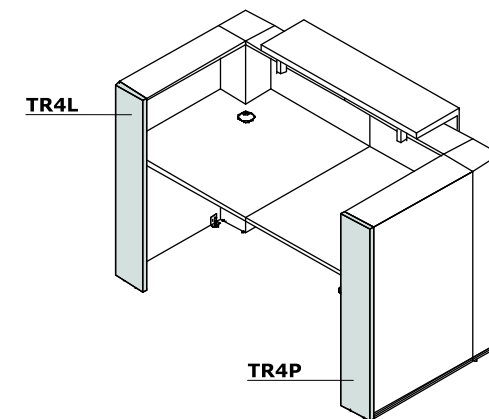
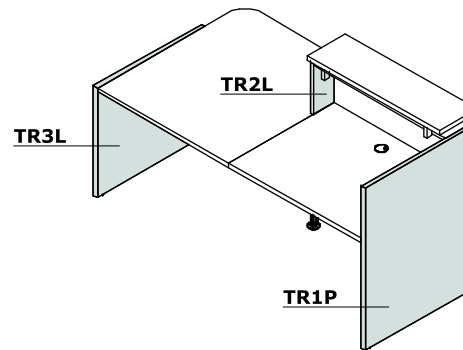
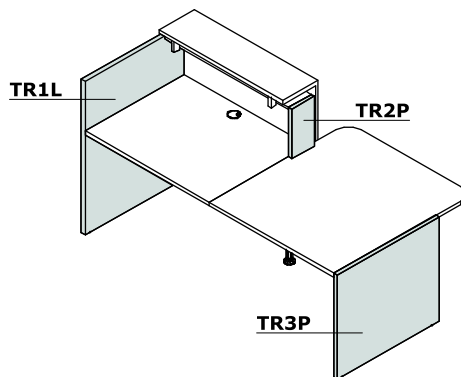


Technical specification

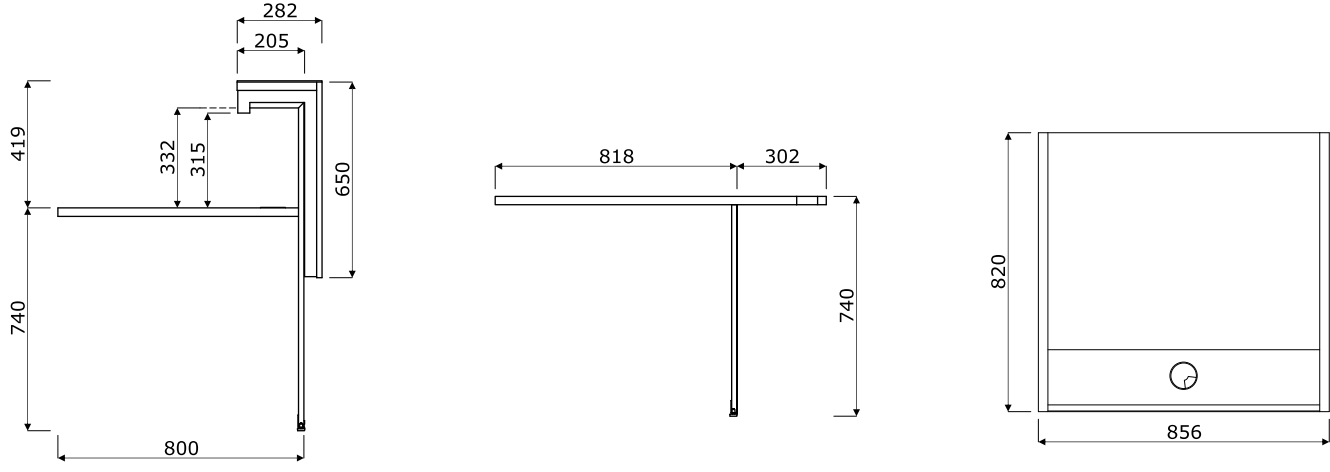
- 1 Worktop** - MFC 28 mm, ABS edge 2 mm
- 2 Low side panel** - MFC 28 mm, ABS edge 2 mm
- 3 Top element TR99** - top MFC 28 mm + Glass LACOBEL
4 mm, front MFC 18 mm, coated with HPL gloss
- 4 High side panel** - MFC 28 mm, ABS edge 2 mm
- 5 Front** - MFC 18 mm, ABS edge 2 mm
- 6 Decorative stripe** - PVC, colour: M009 - aluminium semi-matt
- 7 Corner unit** - melamine board covered with HPL - gloss
- 8 Side panel linking low and high fronts** - MFC 28 mm, ABS edge 2 mm
- 9 Frame to optional top element with lightening** - metal powder-coated, white colour
- 10 Light switch**
- 11 LED illumination TR99** - cold white color
(verging on the blue shade);
- 12 Cable grommets** - Ø80 mm
- 13 Supporting leg NL41** - required for connecting the tops



Ending elements application



Dimensions (mm)



Dimensions - monitor shelf (mm)

