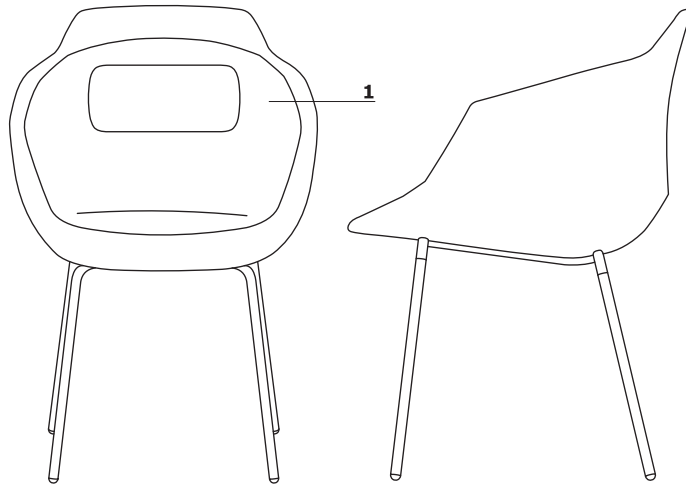
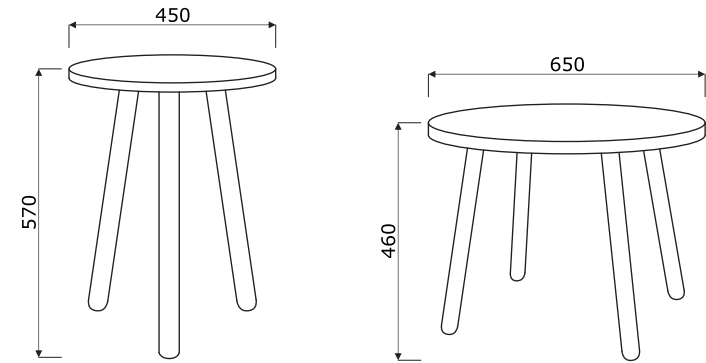


Technical specification

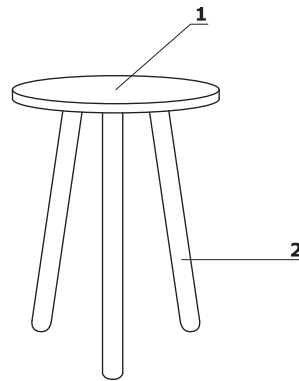
- 1 Seat** - plastic frame filled with foam, density of 55 kg/m³, upholstered



- max. load 120 kg

Dimensions (mm)**Tables**

- 1 Top** - MFC 18 mm, ABS edges 2 mm
2 Legs - Ø45 mm (UTR45) and Ø40 mm (UTR65), natural wood

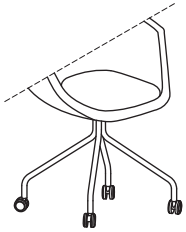


Bases

1 Base UFP18K, UFBP18K:

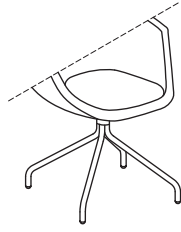
- 4 - star, metal, powder coated
- fixed seat
- legs made of tube Ø22 mm, wall thickness 2 mm, CNC - bent
- castors for soft floors
- OPTION WITH EXTRA CHARGE - castors for hard floors

**UFP18K
UFBP18K**

**2 Base UFP17, UFBP17:**

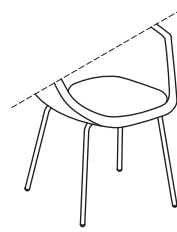
- 4 - star, metal, powder coated
- swivel seat - 360°
- legs made of tube Ø22 mm, wall thickness 2 mm, CNC - bent
- legs finished with polypropylene feet

**UFP17
UFBP17**

**3 Base UFP16, UFBP16:**

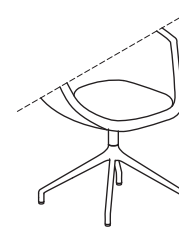
- 4 - legged, metal, powder coated
- legs made of tube Ø18 mm, wall thickness 2 mm, CNC - bent
- legs finished with polypropylene feet

**UFP16
UFBP16**

**4 Base UFP19, UFPP19, UFBP19, UFBPP19:**

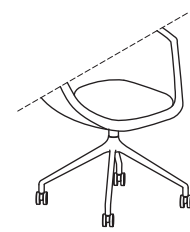
- 4 - star, aluminum, powder coated
- swivel seat - 360°
- aluminium cast
- legs finished with polypropylene feet in frame colour

**UFP19
UFPP19
UFBP19
UFBPP19**

**5 Base UFP19K, UFPP19K, UFBP19K, UFBPP19K:**

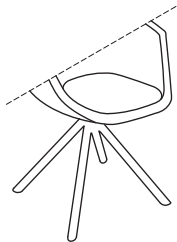
- 4 - star, aluminum, powder coated
- swivel seat - 360°
- aluminium cast
- castors for soft floors
- OPTION WITH EXTRA CHARGE - castors for hard floors

**UFP19K
UFPP19K
UFBP19K
UFBPP19K**

**6 Base UFP9, UFBP9:**

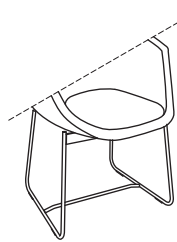
- 4 - star, wooden, Ø35 mm
- beechwood coated with transparent varnish
- swivel seat - 360°
- metal legs - connecting elements, colour: black semi-matt

**UFP9
UFBP9**

**7 Base UFP5, UFBP5:**

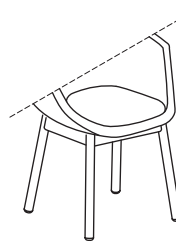
- skid, metal, powder coated
- Ø12 mm wired legs, CNC - bent
- polypropylene feet

**UFP5
UFBP5**

**8 Base UFP15, UFBP15:**

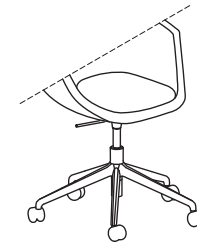
- 4 wooden legs, Ø35 mm
- beechwood coated with transparent varnish

**UFP15
UFBP15**

**9 Base UFP22, UFBP22:**

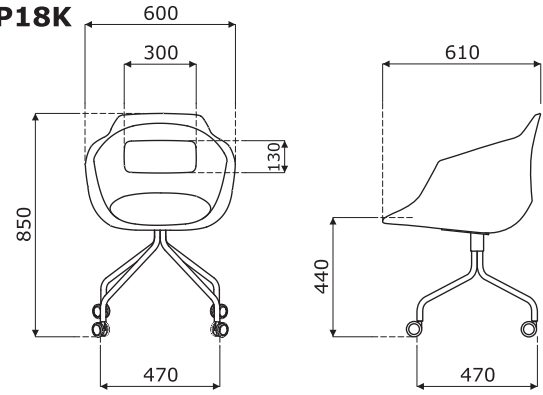
- 5 - star, aluminum, Ø=630 mm, h=360 mm, powder coated
- swivel seat - 360°
- tilt mechanism with a lock
- gas spring, steel, colour: black, adjustment range 120 mm (450 - 570 mm)
- castors for soft floors
- OPTION WITH EXTRA CHARGE - castors for hard floors

**UFP22
UFBP22**

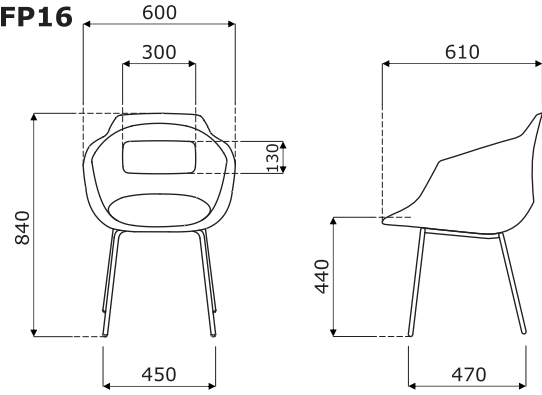


Dimensions (mm)

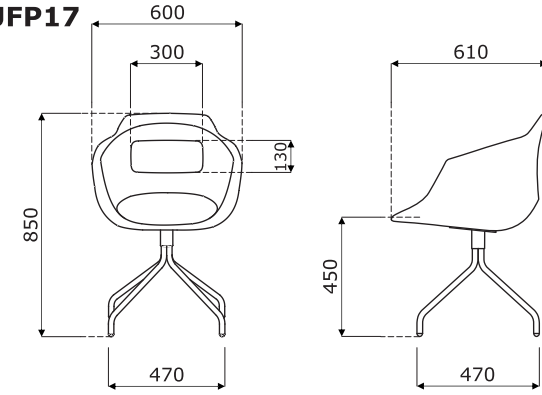
UFP18K



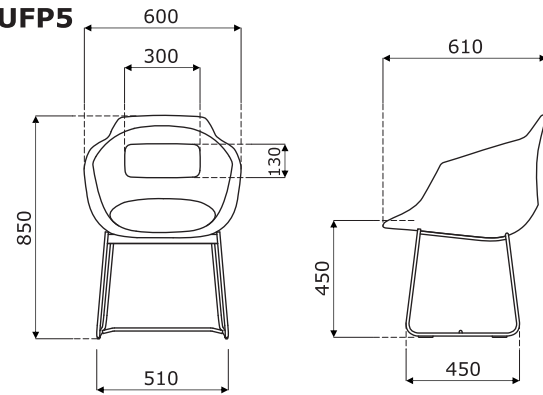
UFP16



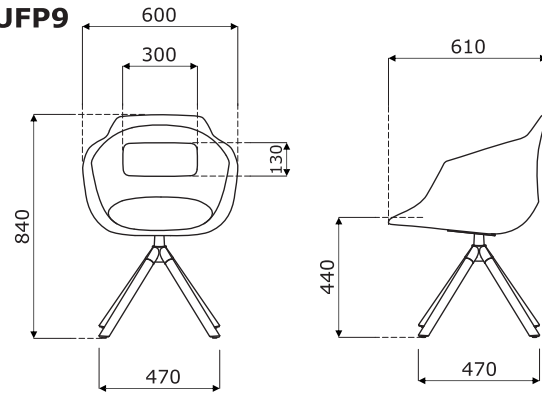
UFP17



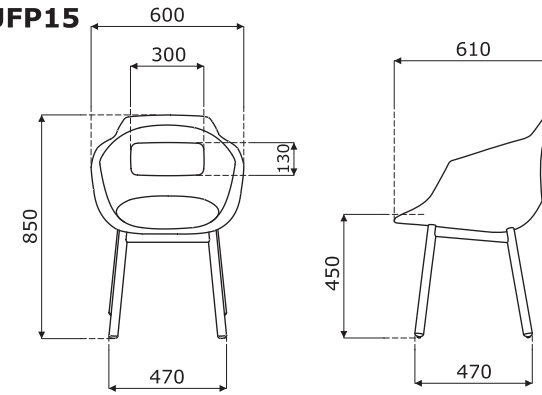
UFP5



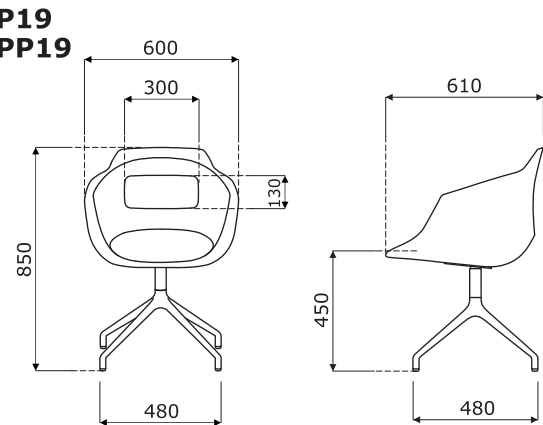
UFP9



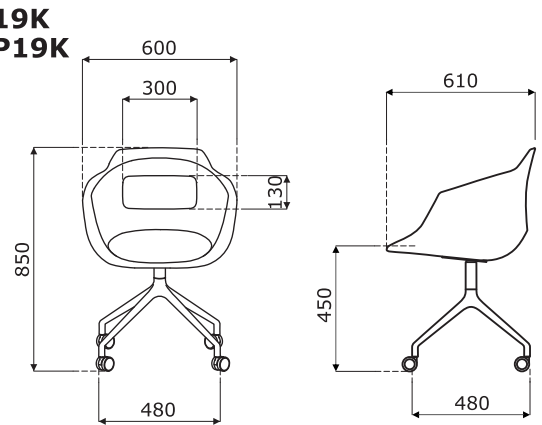
UFP15



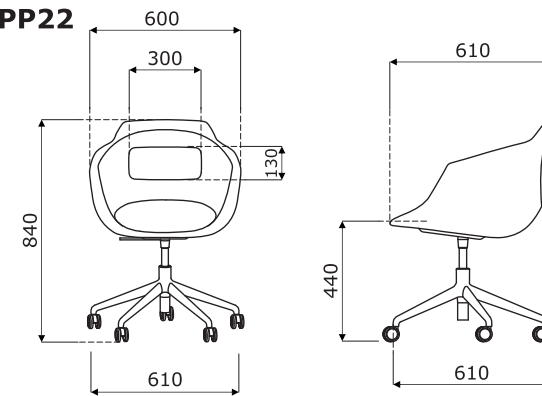
**UFP19
UFPP19**



**UFP19K
UFPP19K**

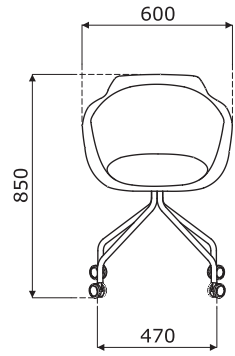


UFPP22

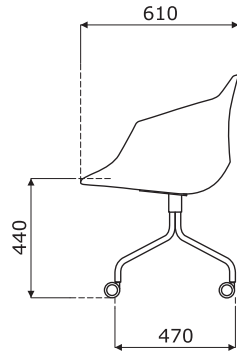


Dimensions (mm)

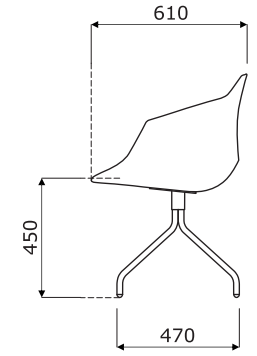
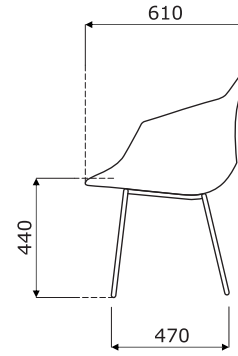
UFBP18K



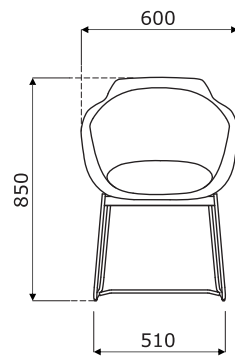
UFBP16



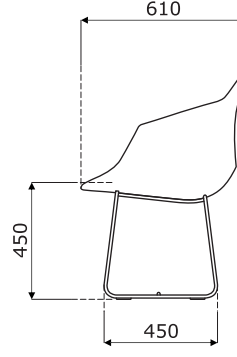
UFBP17



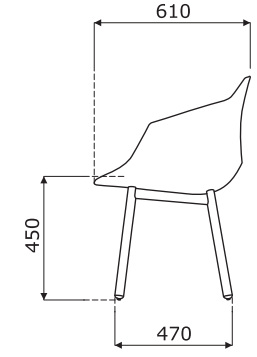
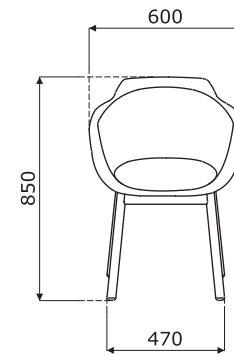
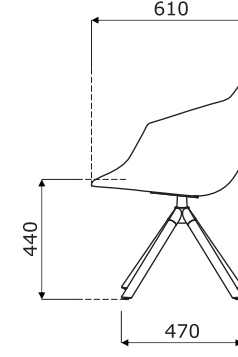
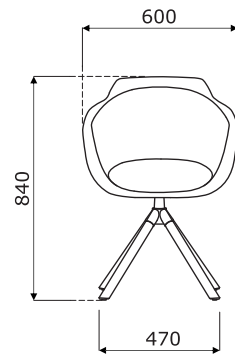
UFBP5



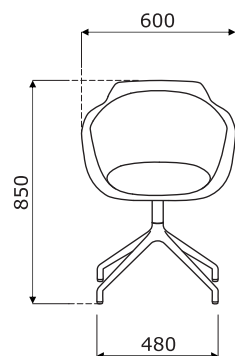
UFBP9



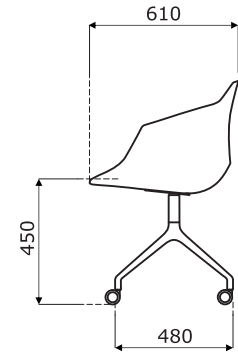
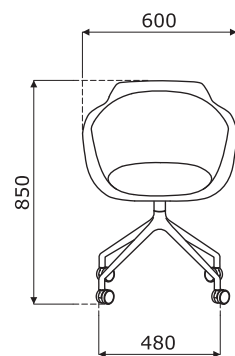
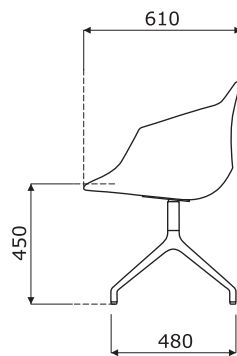
UFBP15



**UFBP19
UFBPP19**



**UFBP19K
UFBPP19K**



UFBPP22

