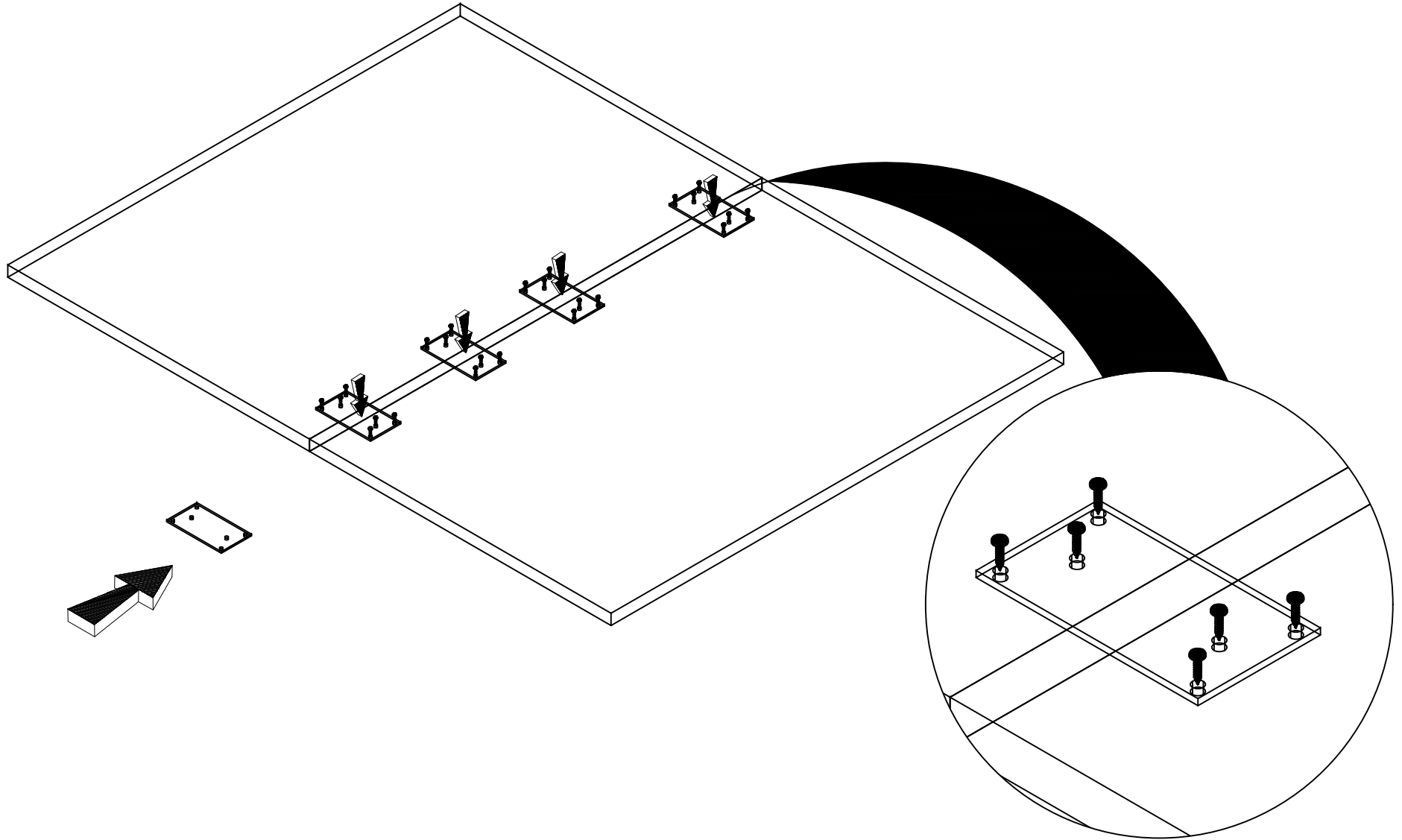


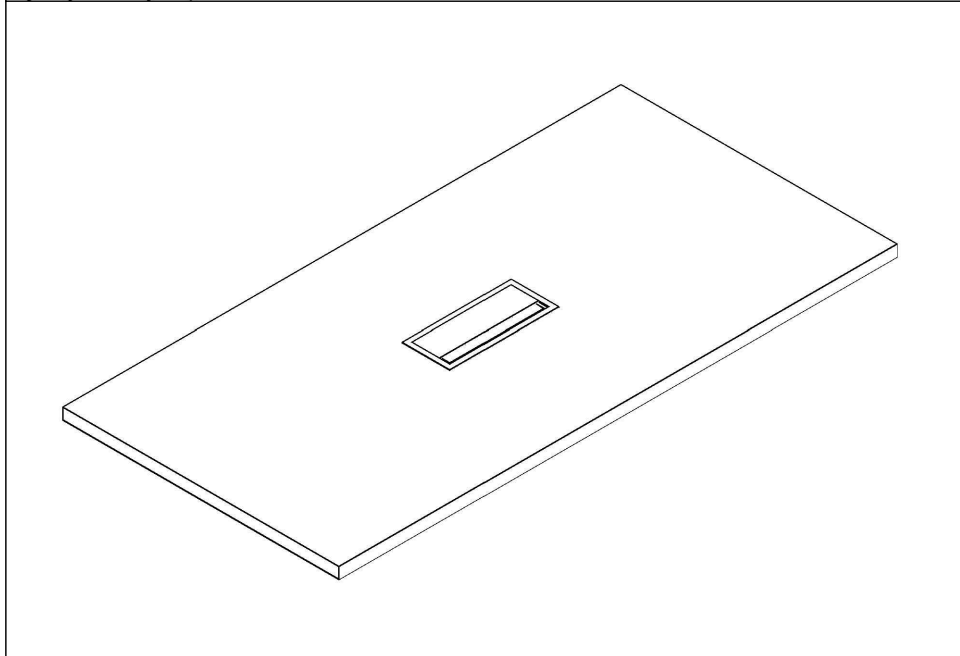
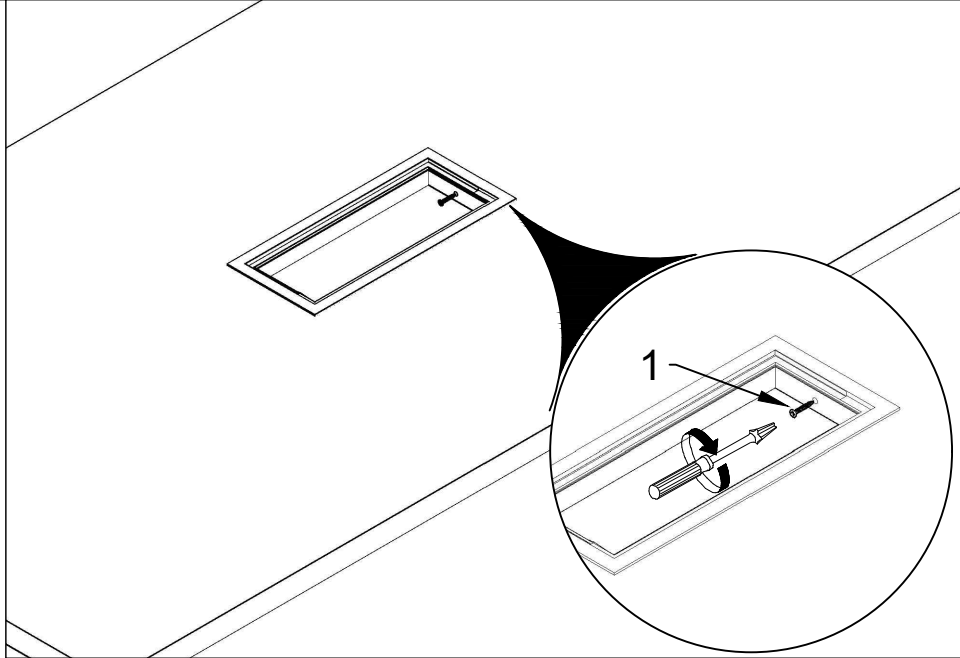
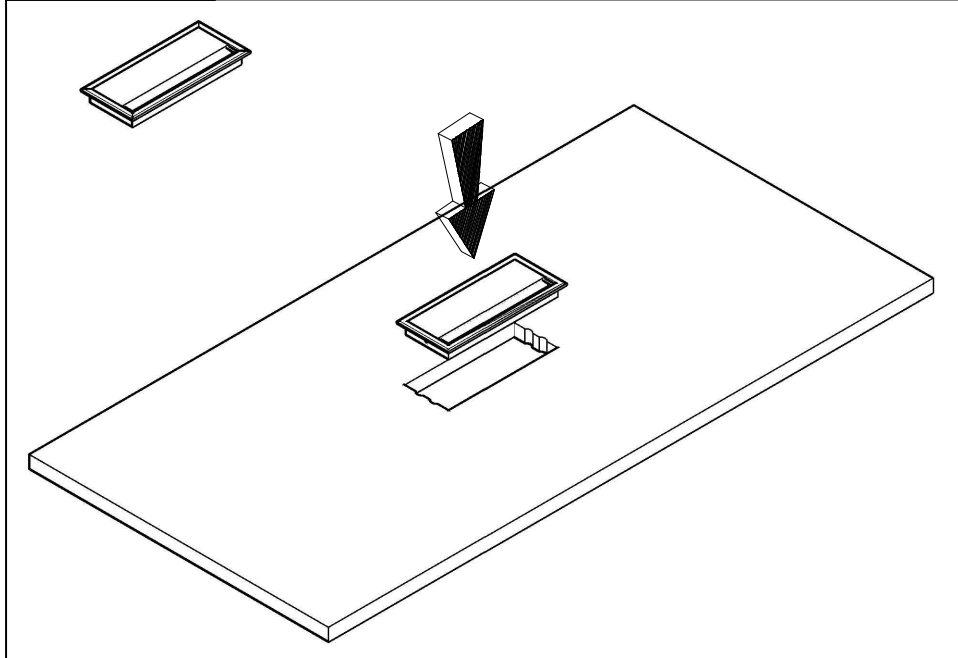
E40



1



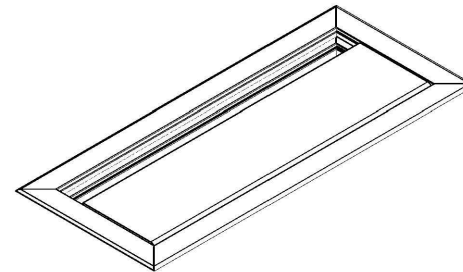
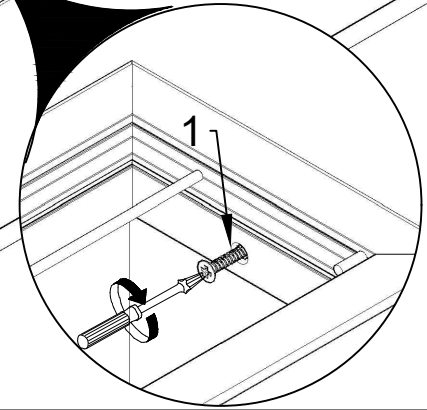
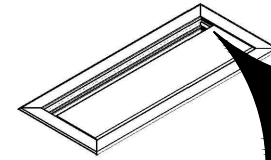
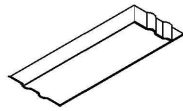
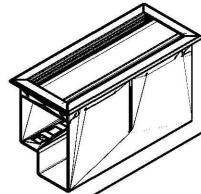
M05



1



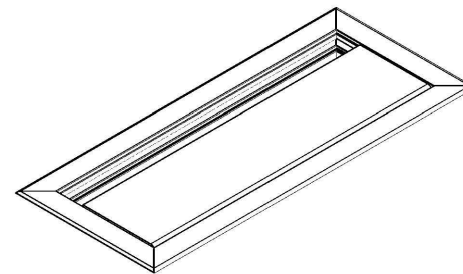
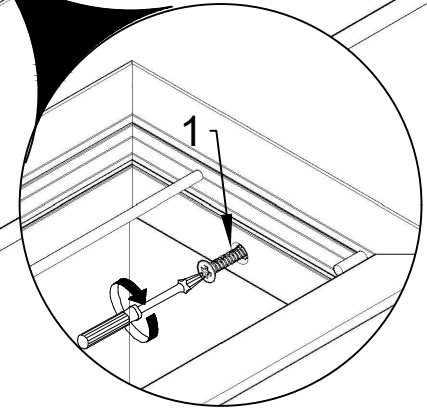
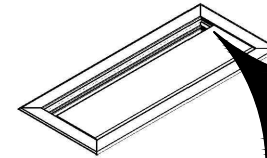
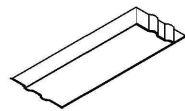
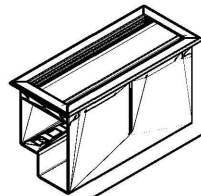
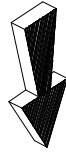
M04



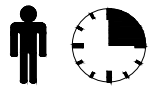
1



M04

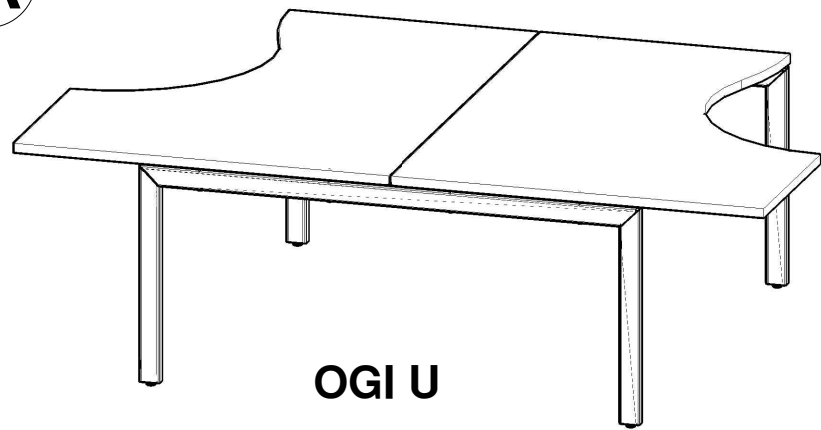


1  
Ø5x20

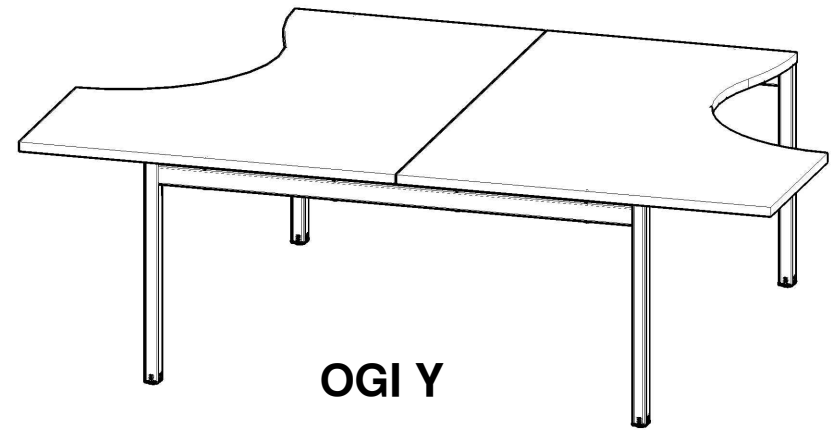


# OGI BENCH

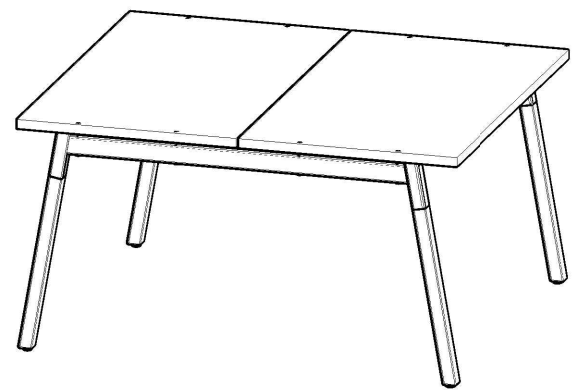
A



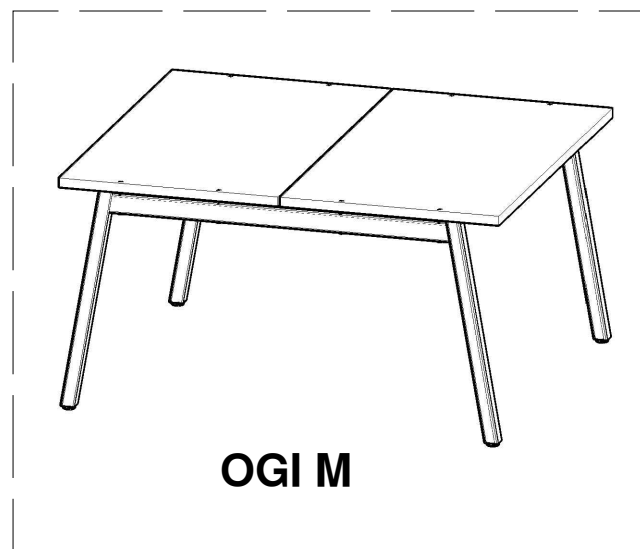
OGI U



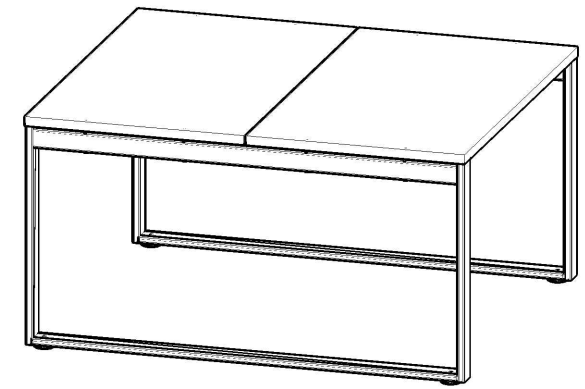
OGI Y



OGI W

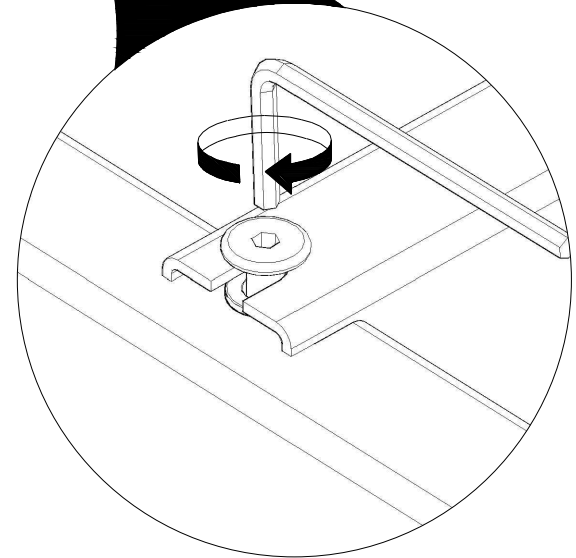
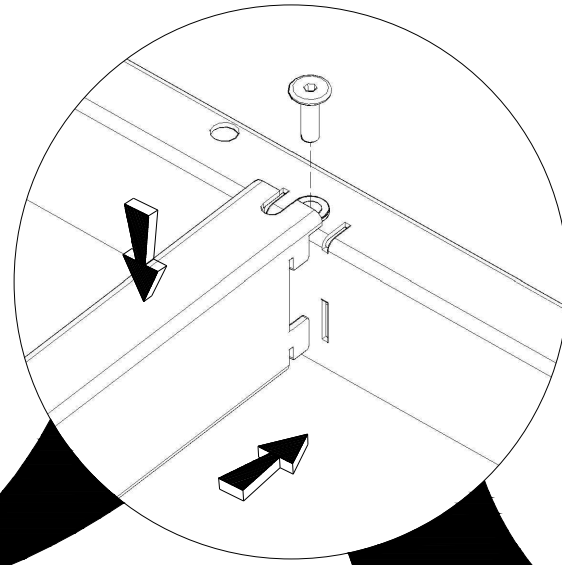
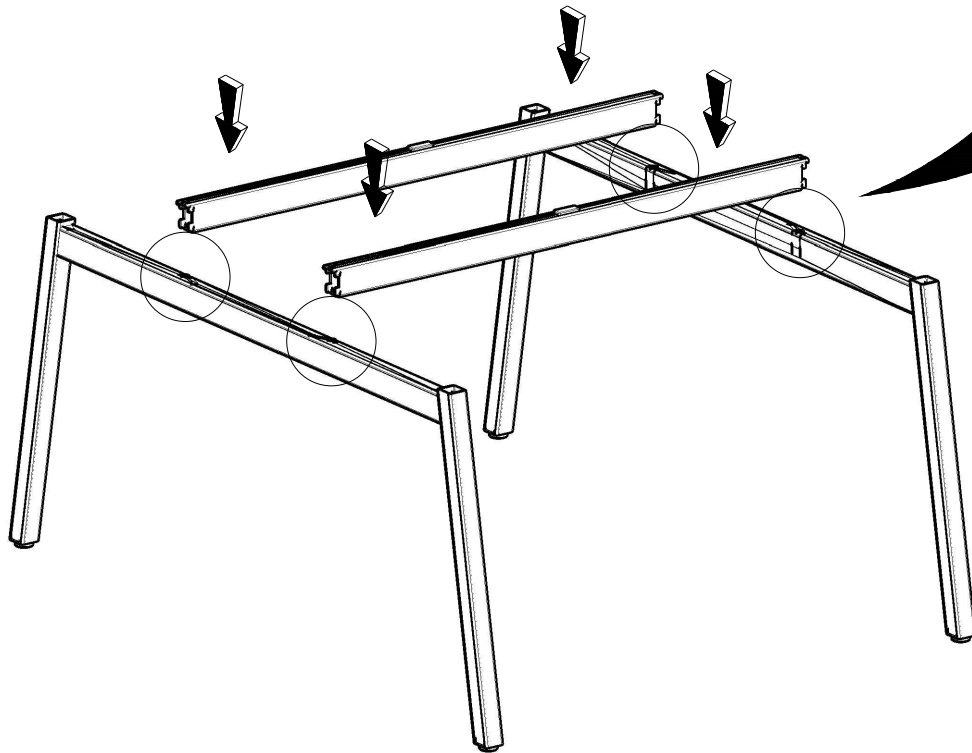


OGI M

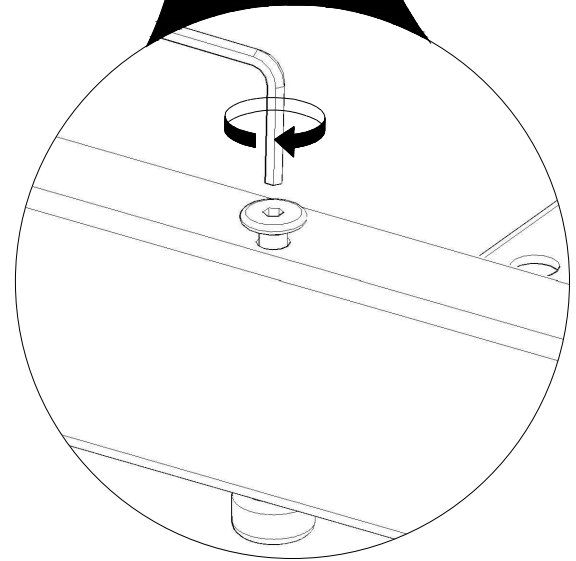
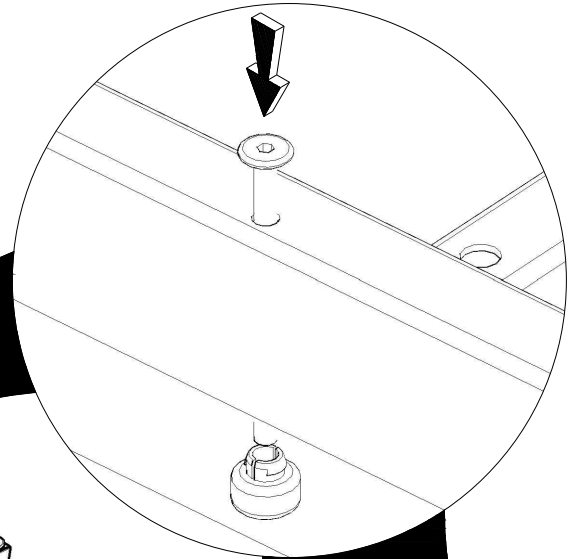
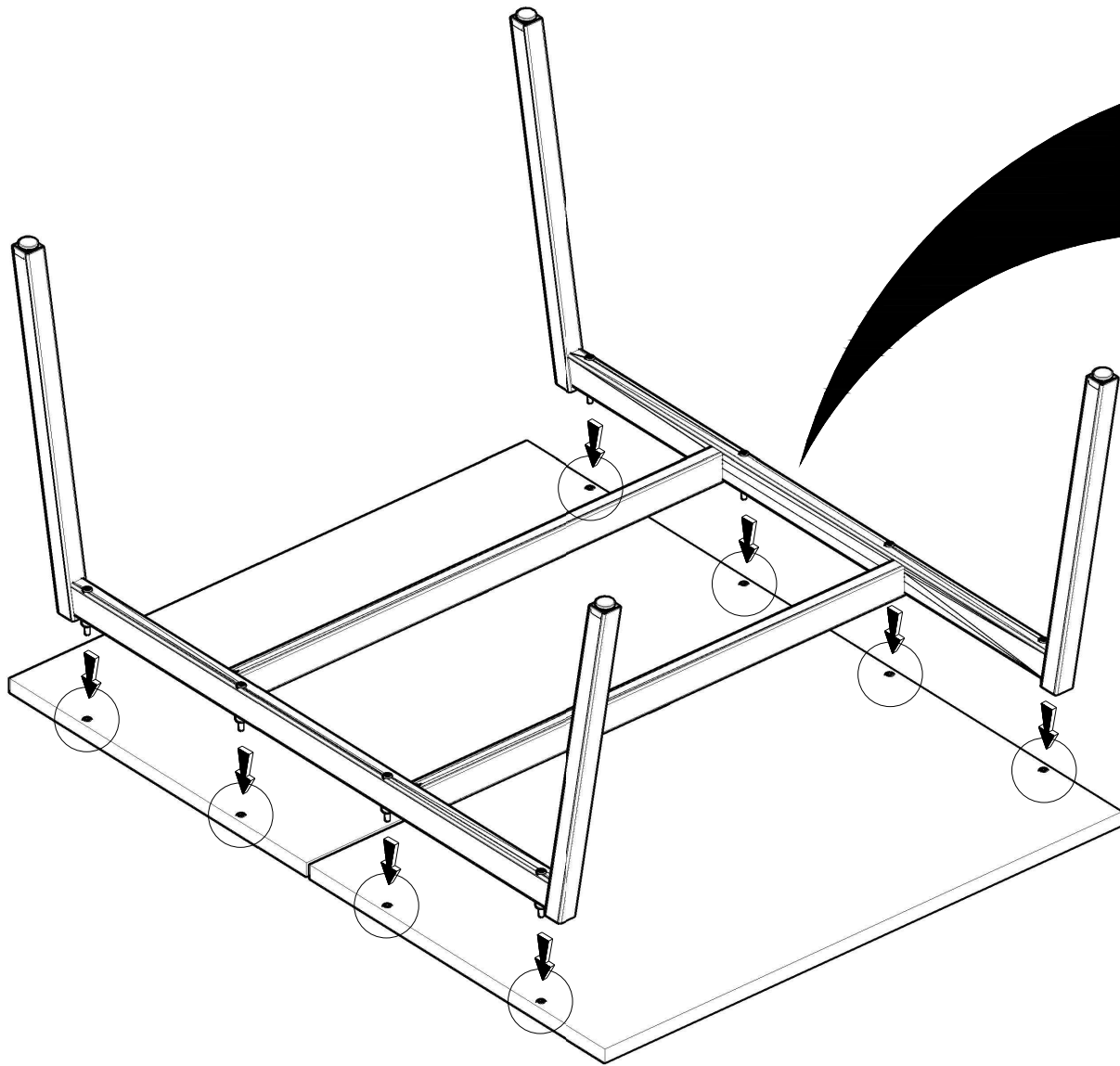


OGI Q

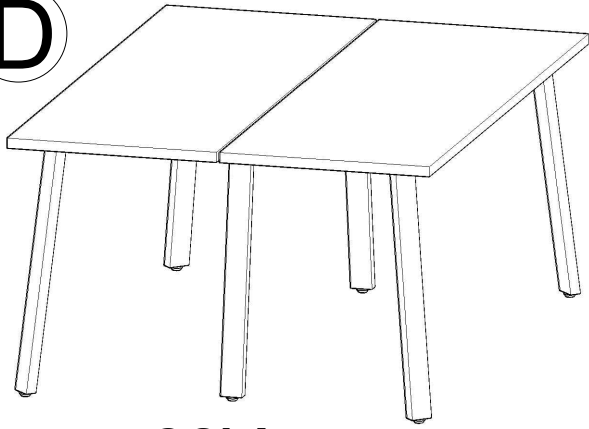
**B**



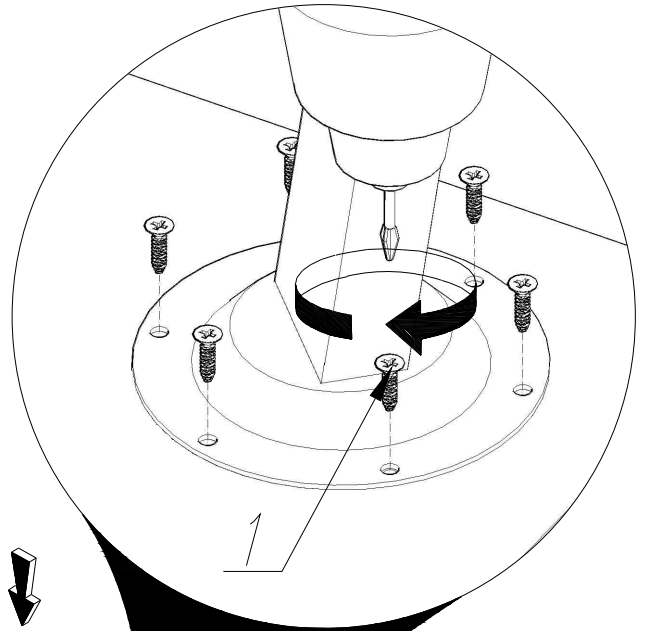
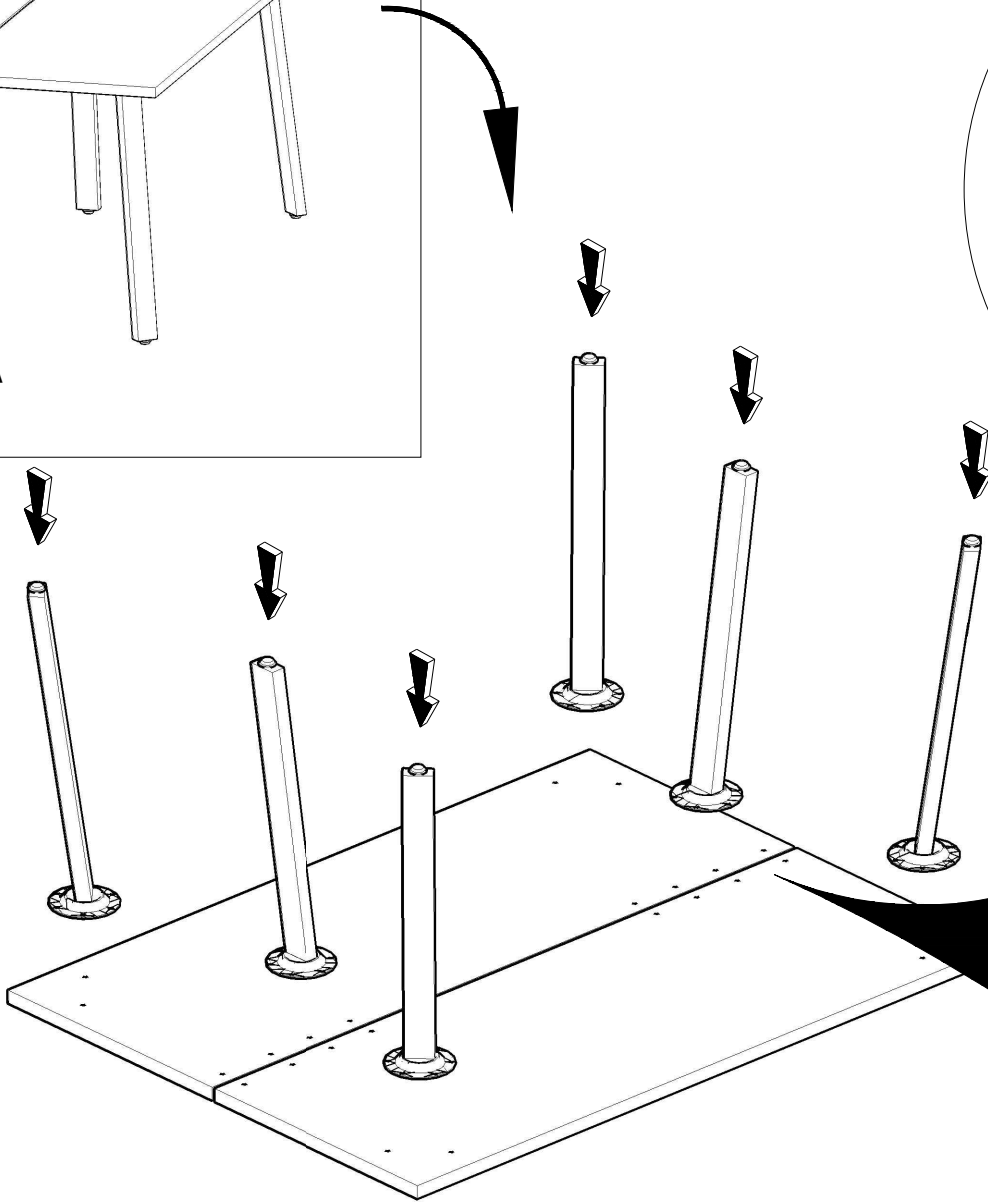
C



**D**



**OGI A**



1

