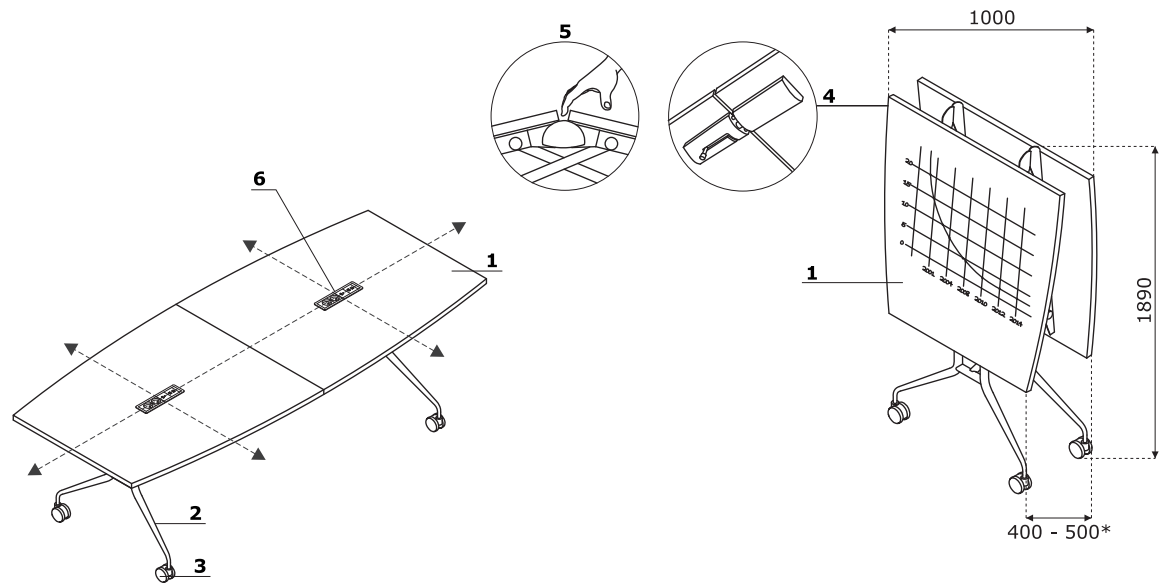


## Folding tables

- 1 Worktop** - MFC 28 mm, ABS edge 2mm  
 OPTIONS WITH EXTRA CHARGE:  
 • worktop covered in nano - tech laminate FENIX, colour: black, 30mm worktop thickness; ABS edges 2 mm, colour: black or with an additional fee - natural ash option  
 • "dry - wipe board", colour: white; 27mm worktop thickness
- 2 Leg** - powder coated steel, colour: white, black, aluminium or with an additional fee - chrome option
- 3 Wheels with brake** - rubber covered castors with brakes- Ø100mm
- 4 Blocking bolt** - protecting against accidental folding
- 5 Protection mechanism against hand jamming during folding and unfolding of the table**  
 OPTIONS WITH EXTRA CHARGE:
- 6 Mediabox M11** - colour: black, white (UK version: black colour only); 2x230V + USB A charger/ USB C charger + HDMI/RJ45



\* Table width after folding – 400 mm for tables 2000 – 2600 mm wide, 500 mm for tables 2800 – 3200 mm wide