

Worktop

1 Worktop - MFC 28 mm, ABS edge 2mm

OPTIONS WITH EXTRA CHARGE:

2 Grommet - 2 pcs, Ø 88 mm

3 Mediabox M14H - plastic frame, 2xRJ45 (class E, cat. 6); + 1 x USB + 1 x HDMI + 4 x 230V; dimensions: 305x155x150mm; power cor 2000 mm

4 Mediabox M14 - plastic frame, 2xRJ45 (class E, cat. 6); + 1 x USB + 4 x 230V; dimensions: 305x155x150mm; power cor 2000 mm

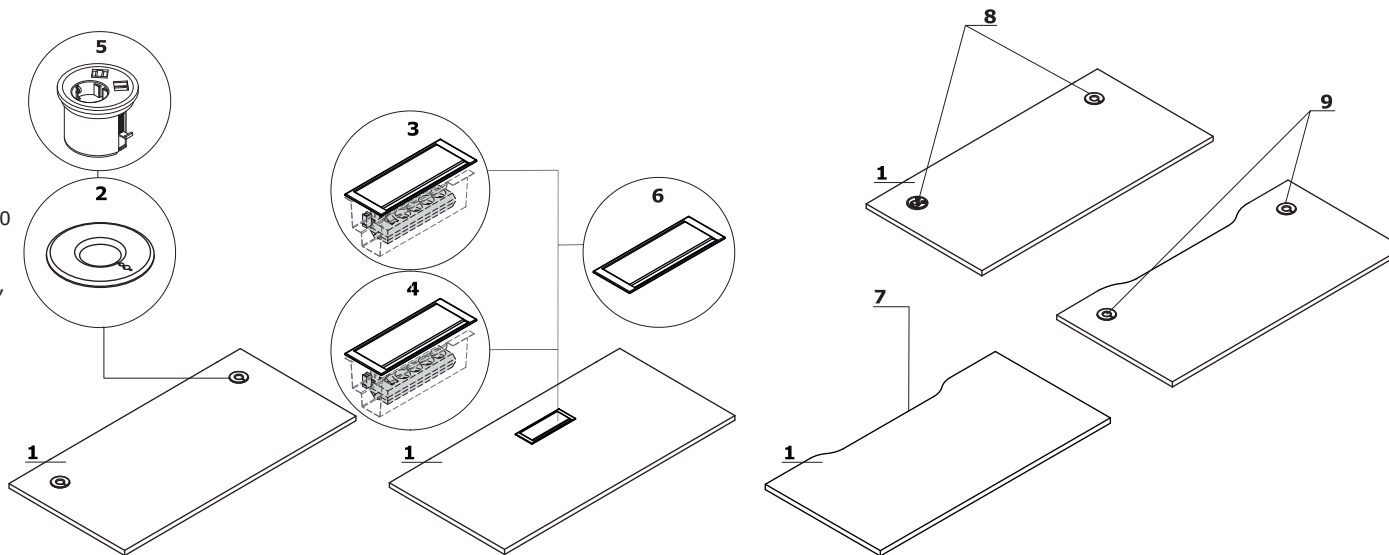
5 Mediabox M071 - 1 x 230V + USB A charger + USB C charger, colour: black, white, mounted instead of the existing grommet Ø88mm (PK81)

6 Top access M15 - plastic frame, dimensions: 292x112x18mm

7 Cable way - the width of the opening is proportional to the width of the worktop

8 Mediabox M071 + cable grommets

9 Cable way + cable grommets - desks (51€), bench desks (102€)



Frame

1 Ogi Drive with electric height adjustment - in the range of 650–1300 mm, metal, powder coated, 3 profiles 50 x 50 mm, 55 x 55 mm and 60 x 60 mm

2 Ogi Drive with electric height adjustment - in the range of 700–1200 mm, metal, powder coated, 2 profiles 55 x 55 mm and 60 x 60 mm

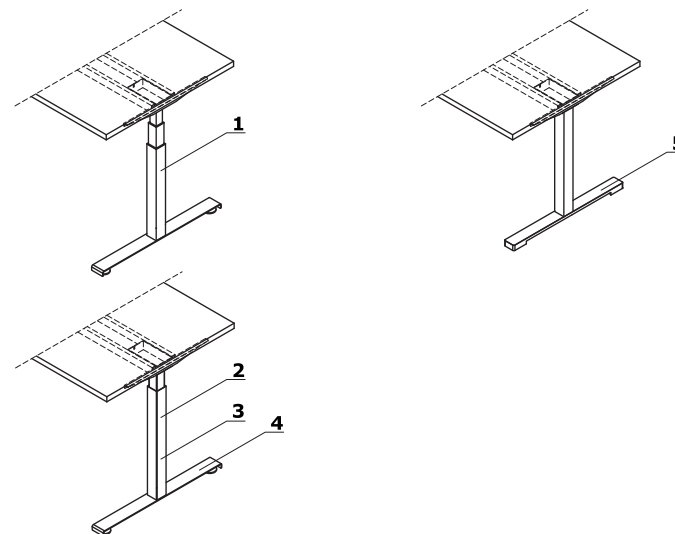
3 Ogi Drive with manual height adjustment - metal, powder coated, 2 profiles 50x50 mm i 60x60 mm, adjustment in the range of 650-1000 mm

Foot:

4 Basic - powder coated metal

5 Pro - aluminum, powder coated (58 €/ 2 pcs):

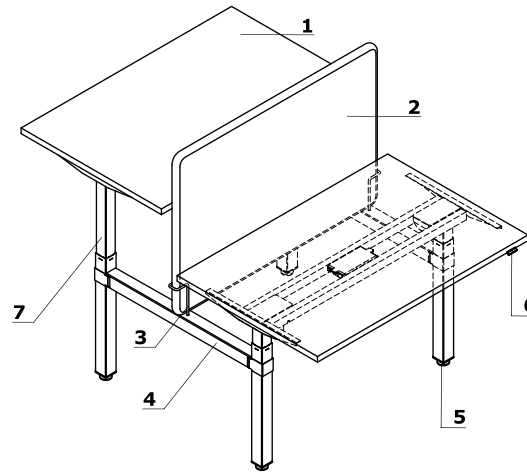
- polished aluminium (56 €/ 2 pcs)



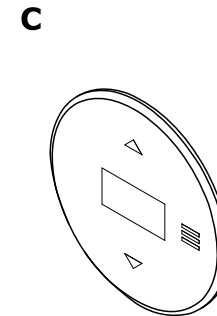
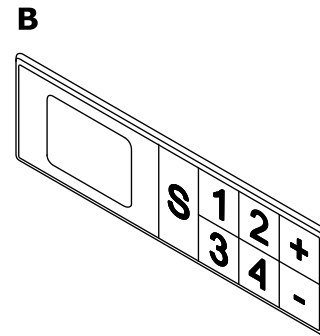
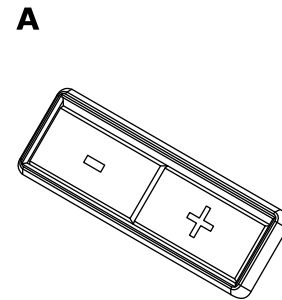
Electric height adjustable frame - Ogi Drive

Frame technical specification

- 1 Worktop** - MFC 28 mm, ABS edge 2mm
- 2 ZD Panel** - acoustic class A, zip fastener, pinable
- 3 Fixing element** - powder coated metal
- 4 Metal element for legs connecting**
- 5 Leveling feet** - range 5 mm
- 6 Control panel** - stepless height adjustment:
 - A** - basic control panel; the sensitivity of the anti-collision system is set to Medium
 - B** - OPTION WITH EXTRA CHARGE - up and down keypad with memory; the ability to change the sensitivity of the anti-collision system within 3 levels: Low, Medium, High
 - C** - OPTION WITH EXTRA CHARGE - round control panel with memory; the ability to change the sensitivity of the anti-collision system within 3 levels: Low, Medium, High; mounted to the worktop
- 7 Electric height adjustable frame** - powder coated steel, load 100 kg, telescopic leg



- **Height adjustment** - 40 mm/sec Super Soft Start - Stop
- **Drive** - 2 synchronised motors with microprocessor, work control sensor
- **Noise level** - < 48dB
- **Anti colision mechanism**
- **Standards** - EN 527-2
- **EU Directives** - 206/95EC, UI508 1999, UL 1004 R7 06, WE DC 2004/108WE
- **Power supply** - 230V, 300W, power consumption on Standby - 0.3W



ATTENTION - distance between bench worktops 90 mm

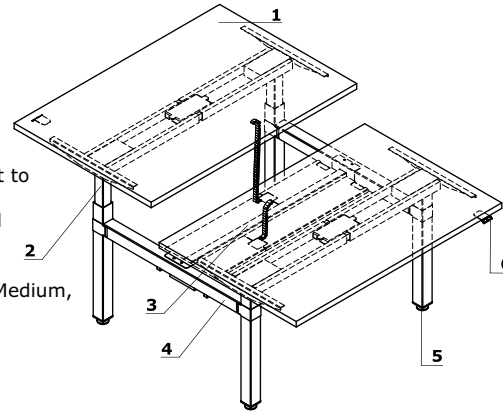
Electric frame with common cable tray - Ogi Drive

- 1 **Worktop** - MFC 28 mm, ABS edge 2mm
- 2 **Electric height adjustable frame** - powder coated steel, load 100 kg, telescopic leg
- 3 **Common cable tray + vertical cable organizer**
- 4 **Metal element for legs connecting**
- 5 **Leveling feet** - range 5 mm
- 6 **Control panel** - stepless height adjustment:

A - basic control panel; the sensitivity of the anti-collision system is set to Medium

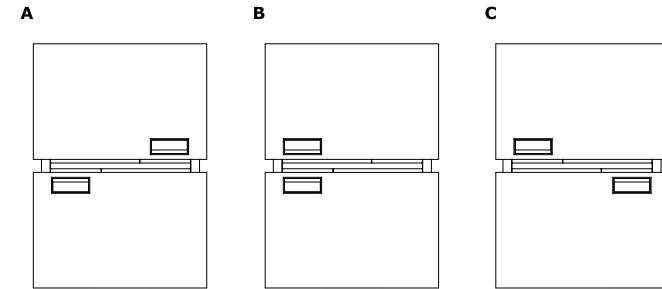
B - OPTION WITH EXTRA CHARGE - up and down keypad with memory; the ability to change the sensitivity of the anti-collision system within 3 levels: Low, Medium, High

C - OPTION WITH EXTRA CHARGE - round control panel with memory; the ability to change the sensitivity of the anti-collision system within 3 levels: Low, Medium, High; mounted to the worktop



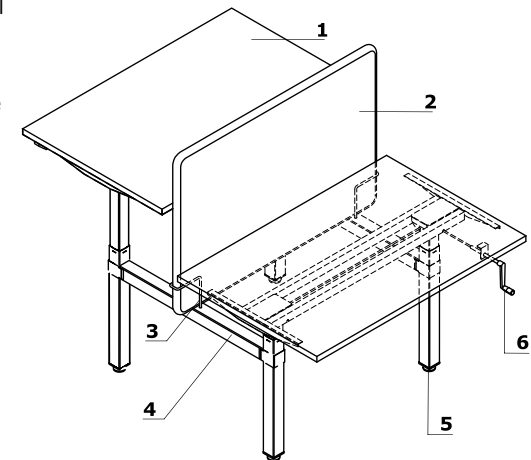
Mediabox location

- A** - left Mediabox
- B** - left/right mediabox
- C** - right mediabox



Hand crankframe - Ogi Drive

- 1 **Worktop** - MFC 28 mm, ABS edge 2mm
- 2 **ZD Panel** - accoustic class A, zip fastener, pinable
- 3 **Fixing element** - powder coated metal
- 4 **Metal element for legs connecting**
- 5 **Leveling feet** - range 5 mm
- 6 **Hand crank** - hidden handle, colour: black, stepless adjustment in the range of 650 - 1000 mm, rotation 2,25 mm, profiles 60 x 60 mm, 50 x 50 mm



Separator for desks arrangements

- 1 Separator** - powder-coated metal; universal - for straight and bench desks; fixed distance between desks placed next to each other - 50 mm

