

## SPECIFICATION

Range: **MILANO**  
Design: **Caimi Lab**

“Snowsound Technology” sound-absorbing lampshade suspended from the ceiling with cables.

Lampshade description without light source:

Sound-absorbing lampshade consisting of a tubular painted metal inner frame covered by Snowsound Fiber 8 Bouclé acoustic fabric. The frame consists of two rings, an upper and a lower one, made of  $\varnothing$  25 mm tubular metal connected to each other and to a third smaller ring by  $\varnothing$  6 mm steel rods. The upper ring is prepared for the aggregation of three  $\varnothing$  10 mm cylindrical elements with snap hooks that allow the cables to be adjusted in height to the millimetre by means of a pressure system with safety lock and three  $\varnothing$  1.5 mm steel cables. Each cable is hooked at the top to two turned and galvanised metal elements that allow the cable to be held by its lead and fixed to the ceiling by means of a single screw. The frame is covered with Snowsound Fiber 8 Bouclé acoustic fabric made entirely of polyester, which is equipped with zips that allow the object to be unravelled. By adapting to the frame, the fabric creates two layers, a taut, slackened outer layer and a pleated inner layer. The air chamber that is created between the two layers of fabric enhances its sound-absorbing capacities.

Lampshade description with light source:

Sound-absorbing lampshade consisting of a tubular painted metal inner frame covered by Snowsound Fiber 8 Bouclé acoustic fabric. The frame consists of two rings, an upper and a lower one, made of  $\varnothing$  25 mm tubular metal connected to each other and to a third smaller ring by  $\varnothing$  6 mm steel rods. The upper ring is prepared for the aggregation of three  $\varnothing$  10 mm cylindrical elements with snap hooks that allow the cables to be adjusted in height to the millimetre by means of a pressure system with a safety lock and three  $\varnothing$  1.5 mm steel cables. Each cable is hooked at the top to a ceiling plate, made of painted zamak, to which a 40W 3000K LED light source is also attached via a steel cable that adjusts its height. The ceiling plate allows the entire frame to be fixed to the ceiling by means of special screws. The frame is covered with Snowsound Fiber 8 Bouclé acoustic fabric made entirely of polyester, which is equipped with zips that allow the object to be unravelled. By adapting to the frame, the fabric creates two layers, a taut, slackened outer layer and a pleated inner layer. The air chamber that is created between the two layers of fabric enhances its sound-absorbing capacities.

The fabric has **Class1 Italia** reaction to fire and **Euroclass B-s1, d0**.

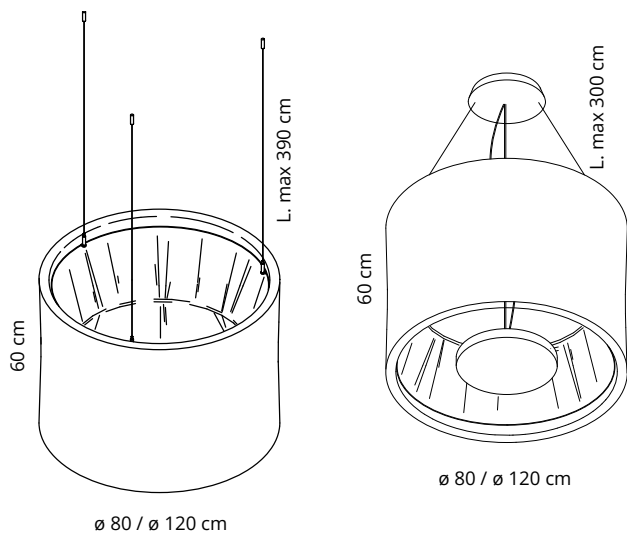
The fabric is **Greenguard Gold certified**, validating its low VOC emission characteristics and its contribution to indoor environmental quality.

The fabric and the frame are **100% recyclable** and do not contain felts or other materials of organic origin that are difficult to recycle.

The products described in this data sheet are **CE marked** according to the harmonized product standard EN 13964 for the intended use as a drop ceiling.



Dimensions:



## ACOUSTIC PERFORMANCE

Measurement of sound absorption coefficient calculated according to ISO 354:2003, Frequency Hz / Aobj

ø 80 cm: 125 Hz / Aobj **0,38** m<sup>2</sup>  
 250 Hz / Aobj **0,58** m<sup>2</sup>  
 500 Hz / Aobj **1,04** m<sup>2</sup>  
 1000 Hz / Aobj **1,39** m<sup>2</sup>  
 2000 Hz / Aobj **1,59** m<sup>2</sup>  
 4000 Hz / Aobj **1,56** m<sup>2</sup>

ø 120 cm: 125 Hz / Aobj **0,58** m<sup>2</sup>  
 250 Hz / Aobj **0,97** m<sup>2</sup>  
 500 Hz / Aobj **1,81** m<sup>2</sup>  
 1000 Hz / Aobj **2,29** m<sup>2</sup>  
 2000 Hz / Aobj **2,40** m<sup>2</sup>  
 4000 Hz / Aobj **2,42** m<sup>2</sup>

FIBER 8 BOUCLÉ available colours:

800



801



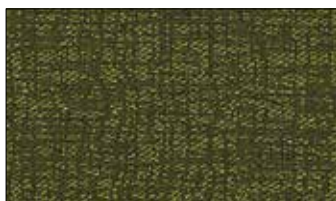
802



803



804



805



806



807



808



809



810



811



812



813



814



815



