



1

M6x25



XT116 **x5**
 XT11 **x4**
 XT16 **x3**
 XT1 **x2**
 XT6 **x1**

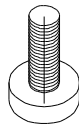
2



XT116 **x4**
 XT11 **x4**
 XT16 **x4**
 XT1 **x2**
 XT6 **x2**

3

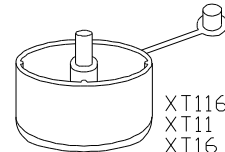
M8x30



XT116 **x4**
 XT11 **x4**
 XT16 **x4**
 XT1 **x2**
 XT6 **x2**


x4

4



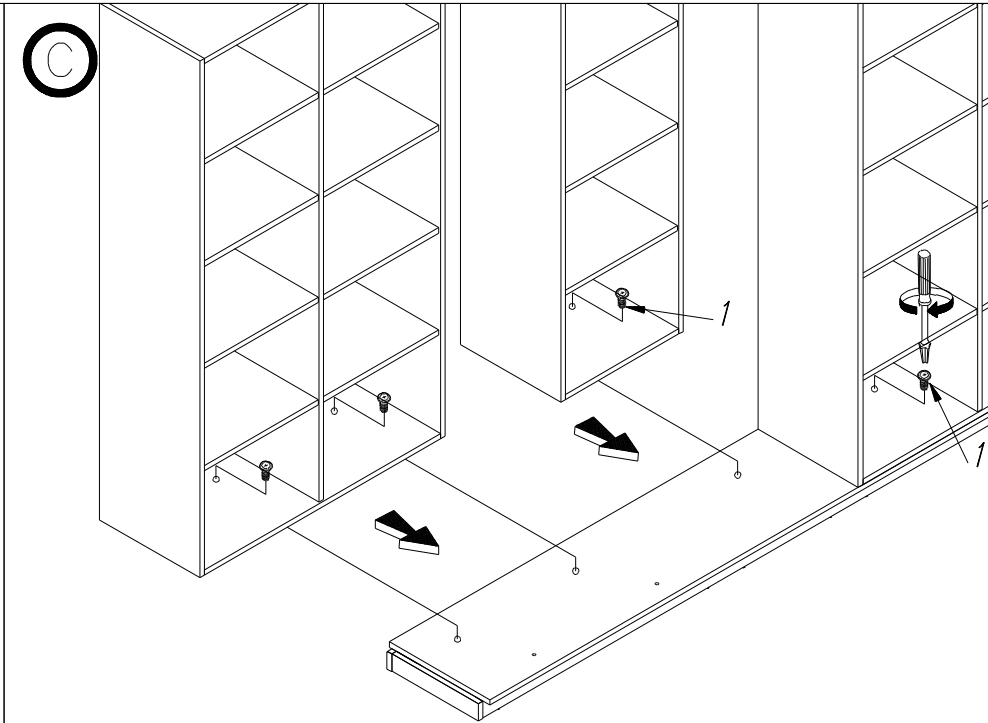
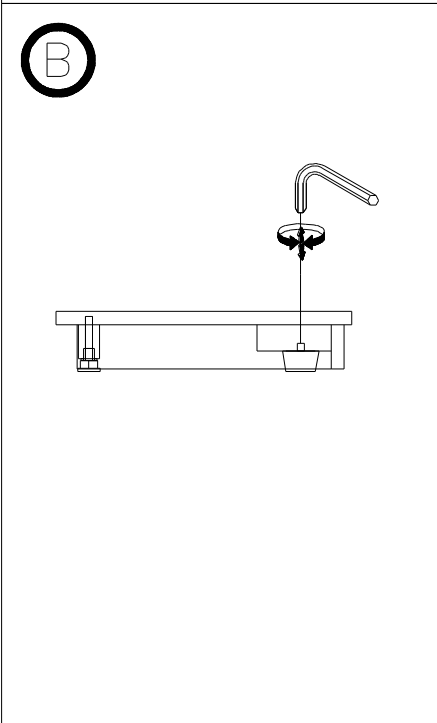
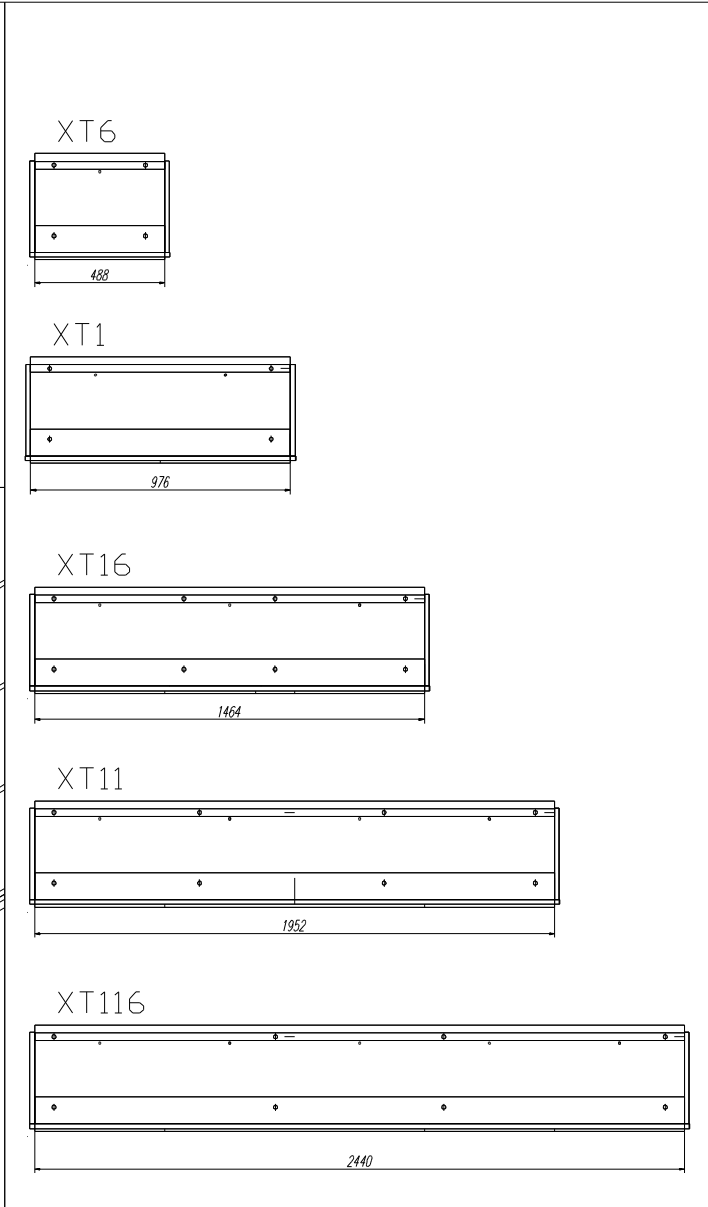
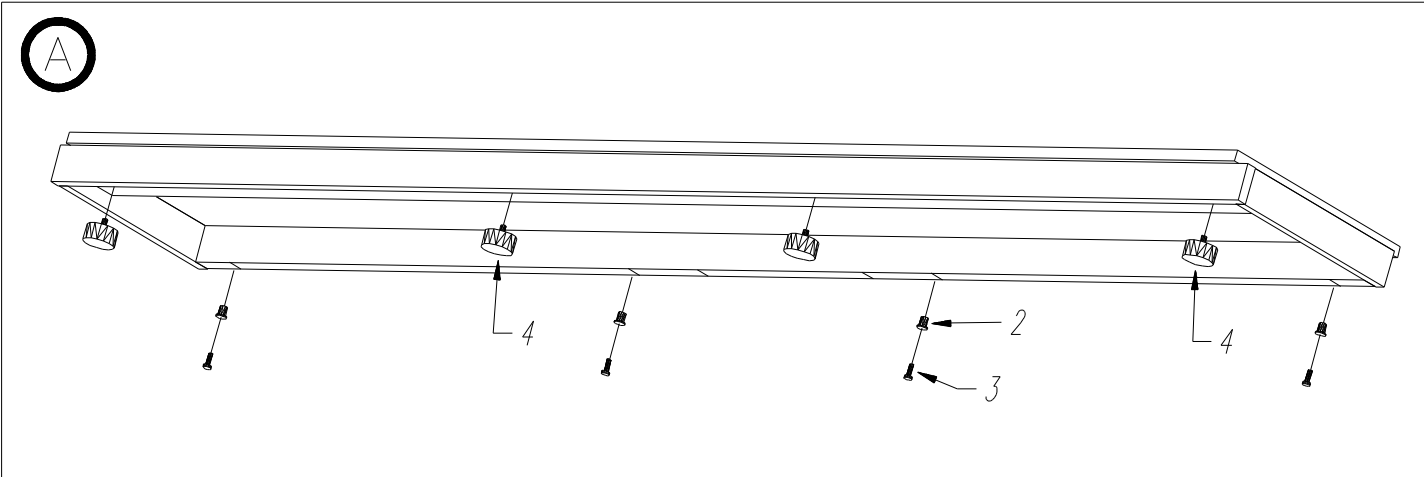
XT116 **x4**
 XT11 **x4**
 XT16 **x4**
 XT1 **x2**
 XT6 **x2**

x4

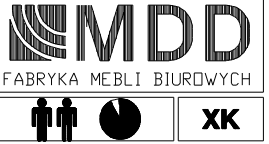


FABRYKA MEBLI BIUROWYCH

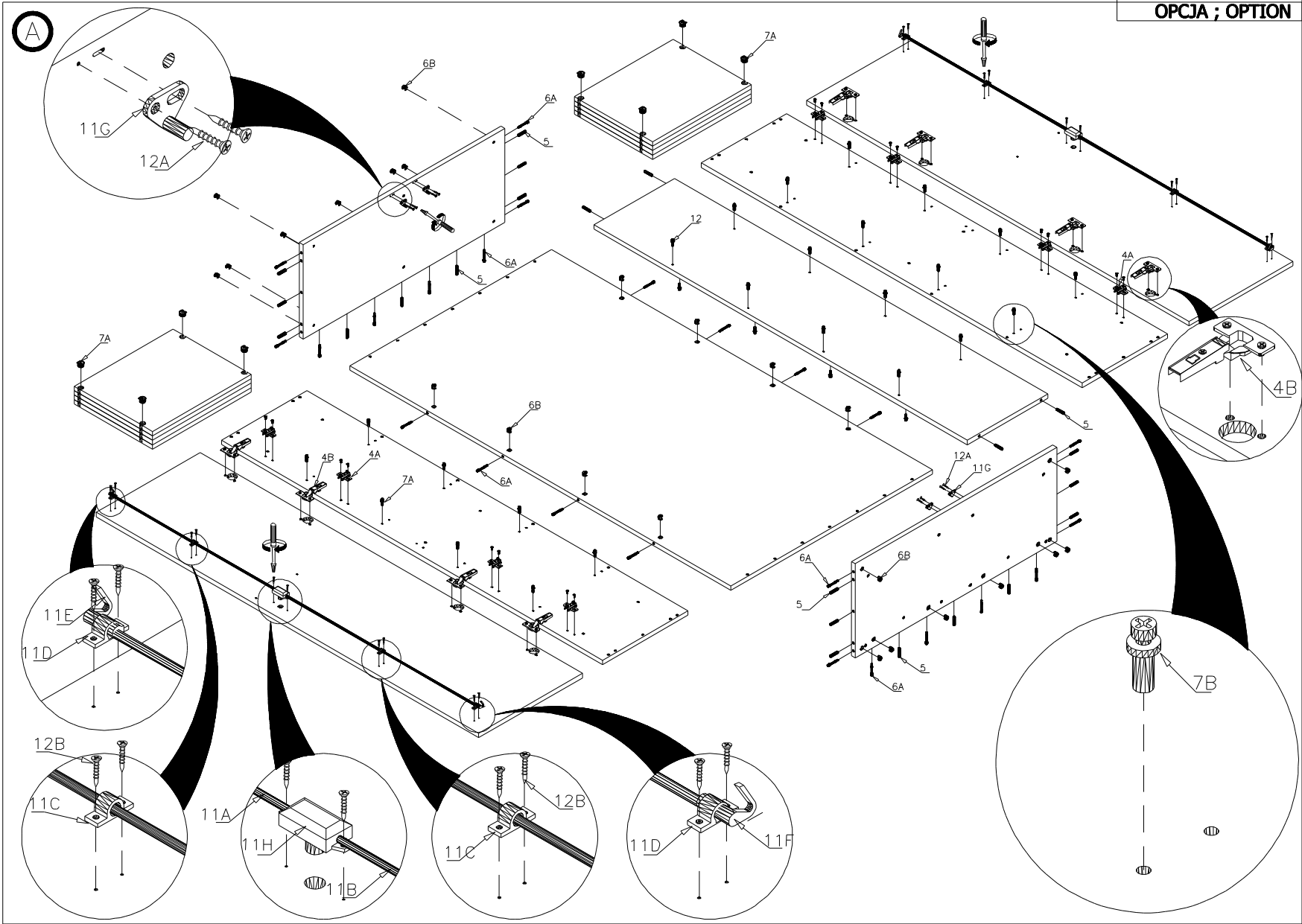
STATUS XT...



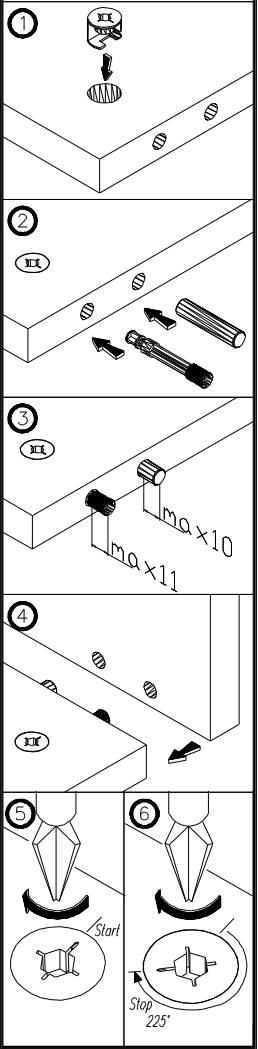
1	XK55 x2 XK27 x1 XK26 x1 XK37 x1 XK36 x1 XK57 x1 XK56 x1 XK21 x2 XK31 x2 XK51 x2	2	M4x25 XK55 x4 XK27 x2 XK26 x2 XK37 x2 XK36 x1 XK57 x2 XK56 x2 XK21 x1 XK31 x1 XK51 x1	3	XK55 x2 XK27 x1 XK26 x1 XK37 x1 XK36 x1 XK57 x1 XK56 x1 XK21 x2 XK31 x2 XK51 x2	4	4B XK27 x2 XK26 x2 XK37 x2 XK36 x1 XK57 x1 XK56 x1 XK21 x1 XK31 x1 XK51 x1	5	Ø8x36 XK55 x22 XK39 x14 XK59 x14 XK27 x14 XK26 x14 XK37 x14 XK36 x14 XK57 x14 XK56 x14 XK21 x22 XK31 x22 XK51 x22	6	Ø15 XK55 x24 XK39 x16 XK59 x16 XK27 x16 XK26 x16 XK37 x16 XK36 x16 XK57 x20 XK56 x16 XK21 x8 XK31 x8 XK51 x32	7	7A XK55 x32 XK39 x8 XK59 x16 XK27 x4 XK26 x4 XK37 x8 XK36 x8 XK57 x16 XK56 x16 XK21 x8 XK31 x16 XK51 x32	8	M6x25 XK55 x5 XK39 x4 XK59 x4 XK27 x4 XK26 x4 XK37 x4 XK36 x4 XK57 x4 XK56 x4 XK21 x4 XK31 x4 XK51 x8	9	Ø10 XK55 x8 XK39 x4 XK59 x4 XK27 x4 XK26 x4 XK37 x4 XK36 x4 XK57 x4 XK56 x4 XK21 x4 XK31 x4 XK51 x8	10	10A XK55 x15 XK39 x8 XK59 x8 XK27 x8 XK26 x8 XK37 x8 XK36 x8 XK57 x15 XK56 x8 XK21 x4 XK31 x4 XK51 x8	11	11D 11E 11F 11G 11H 11A 11B 11C 11F	12	Ø3,5x16 12A Ø3x16 12B 12A 12B 12A
---	--	---	---	---	--	---	---	---	---	---	---	---	--	---	---	---	---	----	---	----	---	----	---

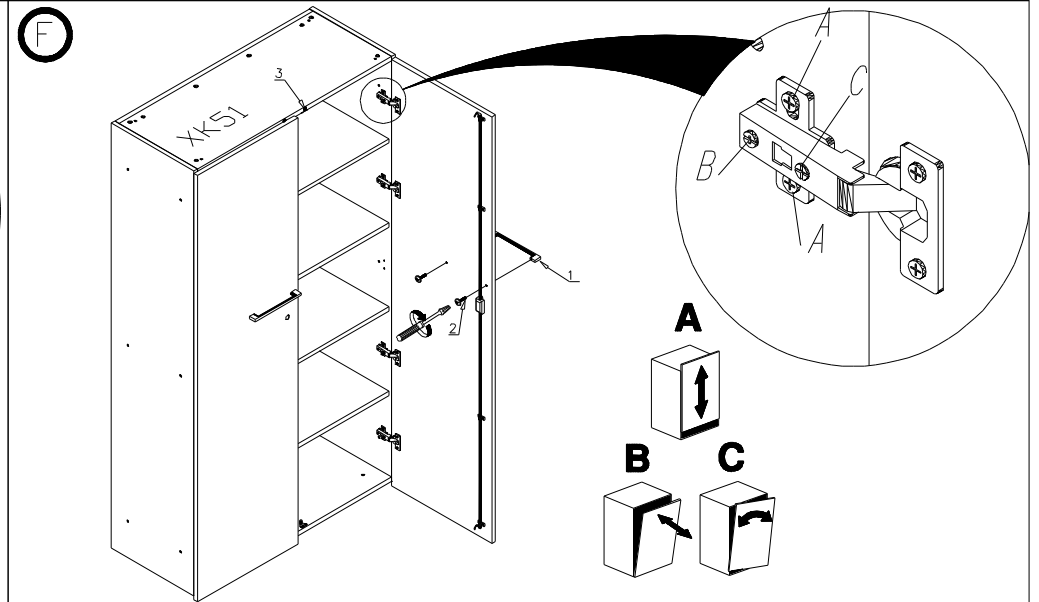
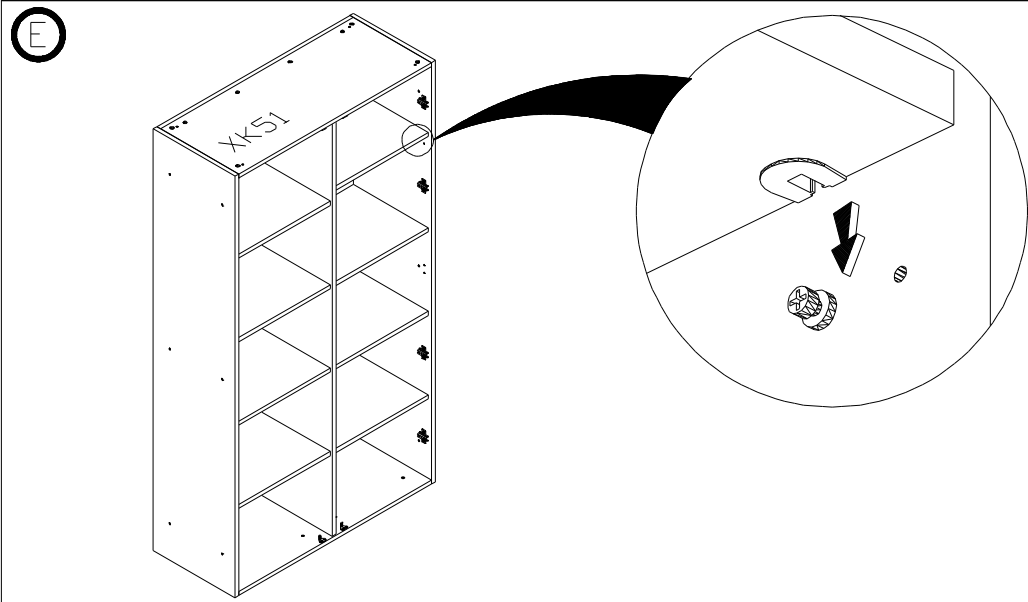
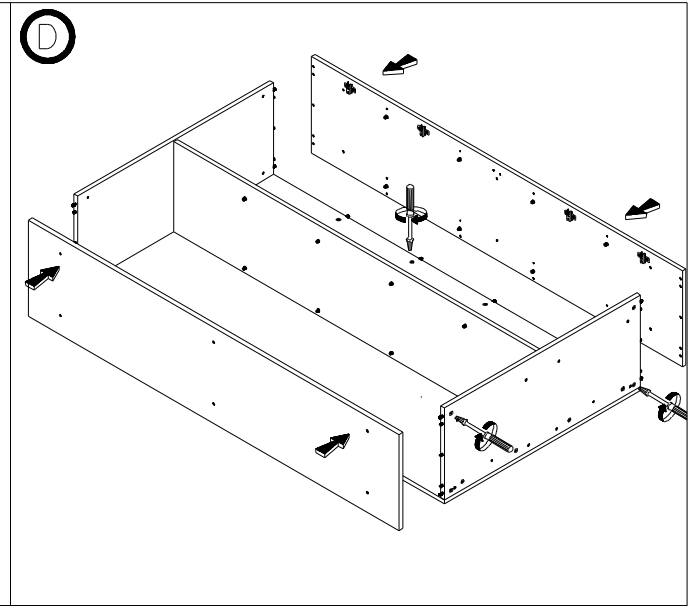
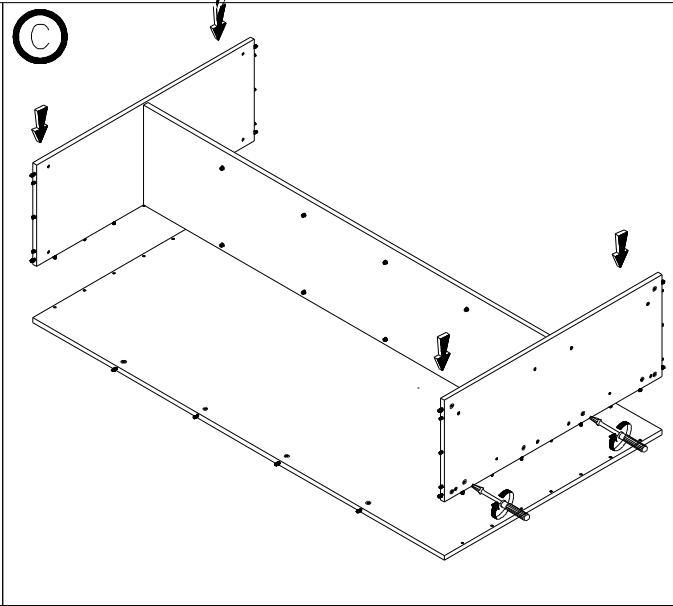
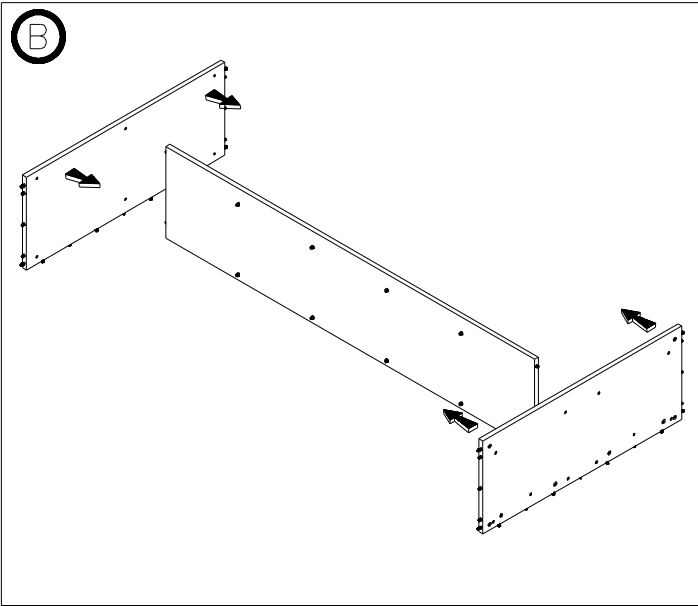


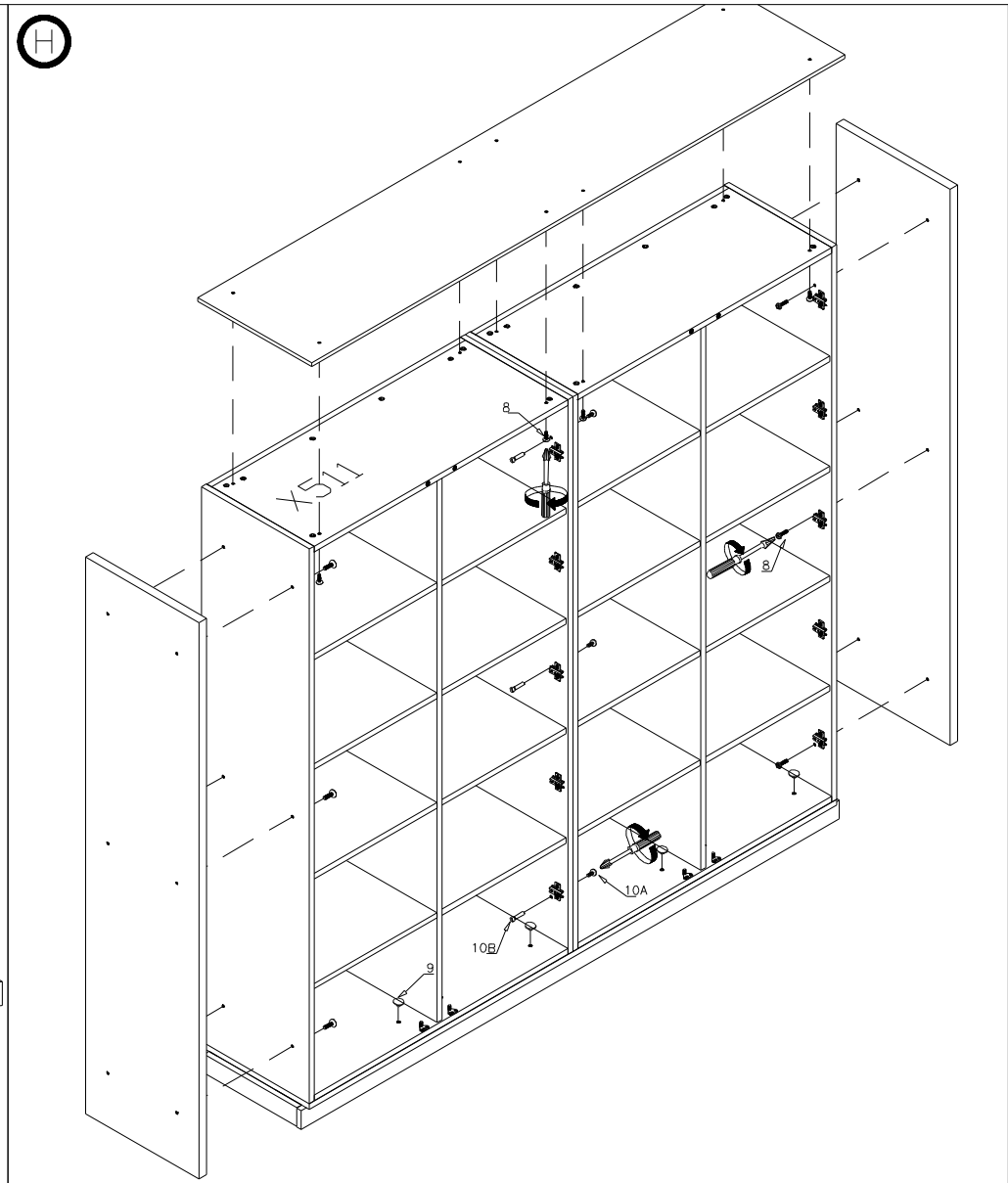
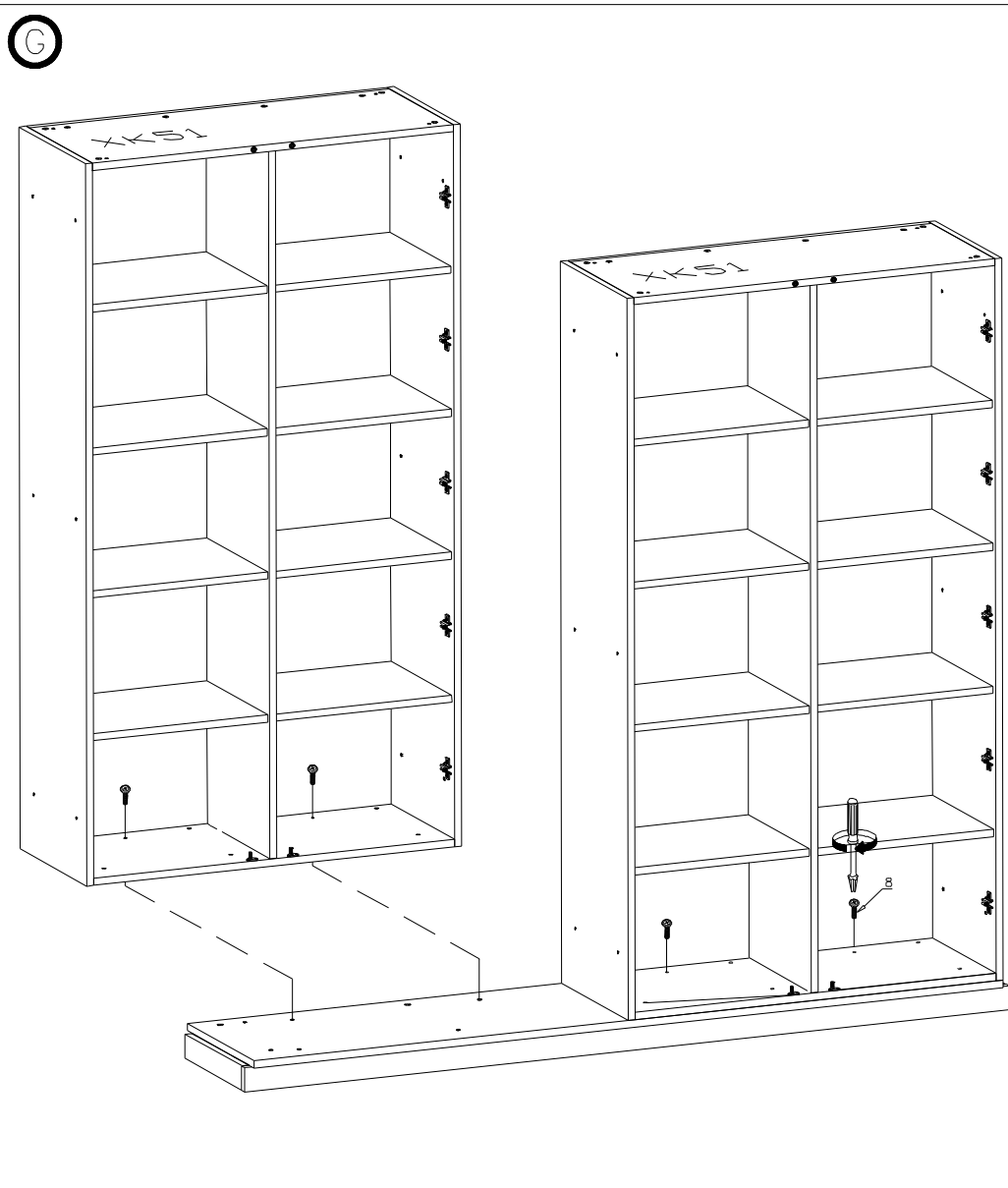
OPCJA ; OPTION

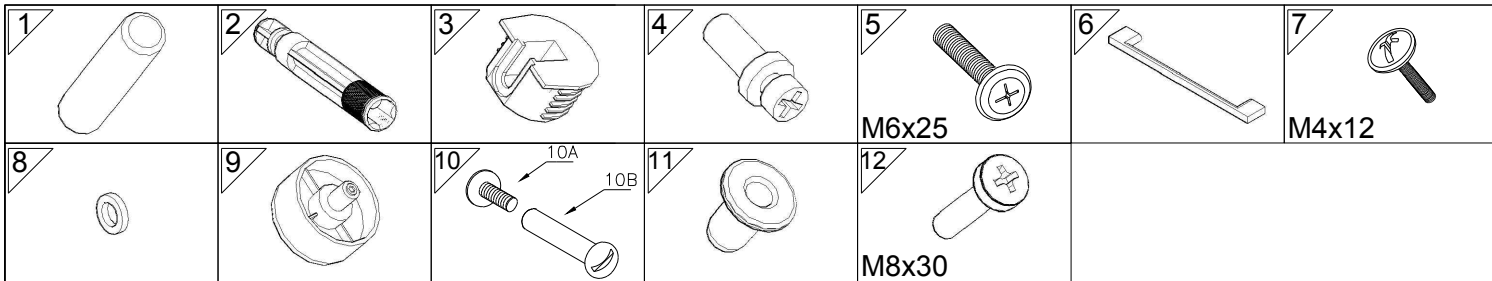


*KOLEJNOŚĆ MONTAŻU
MIMOŚRODÓW I KOŁKÓW.
THE FITTINGS SEQUENCE OF THE
CAMMS AND DOWELS.
DIE MONTAGEABFOLGE VON
EXZENTERN UND DÜBELN.*

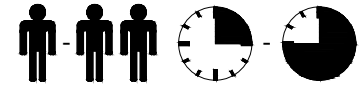




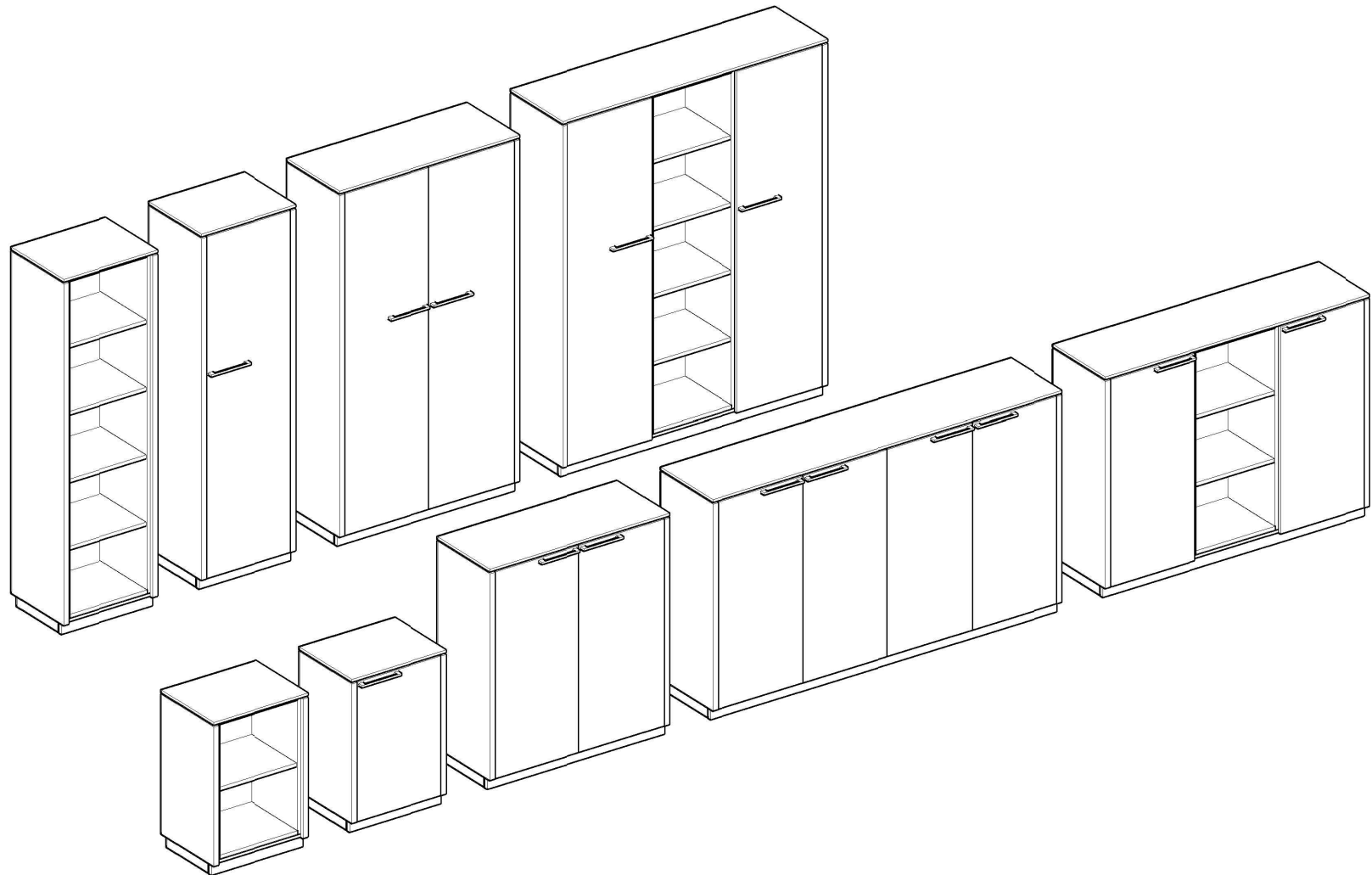




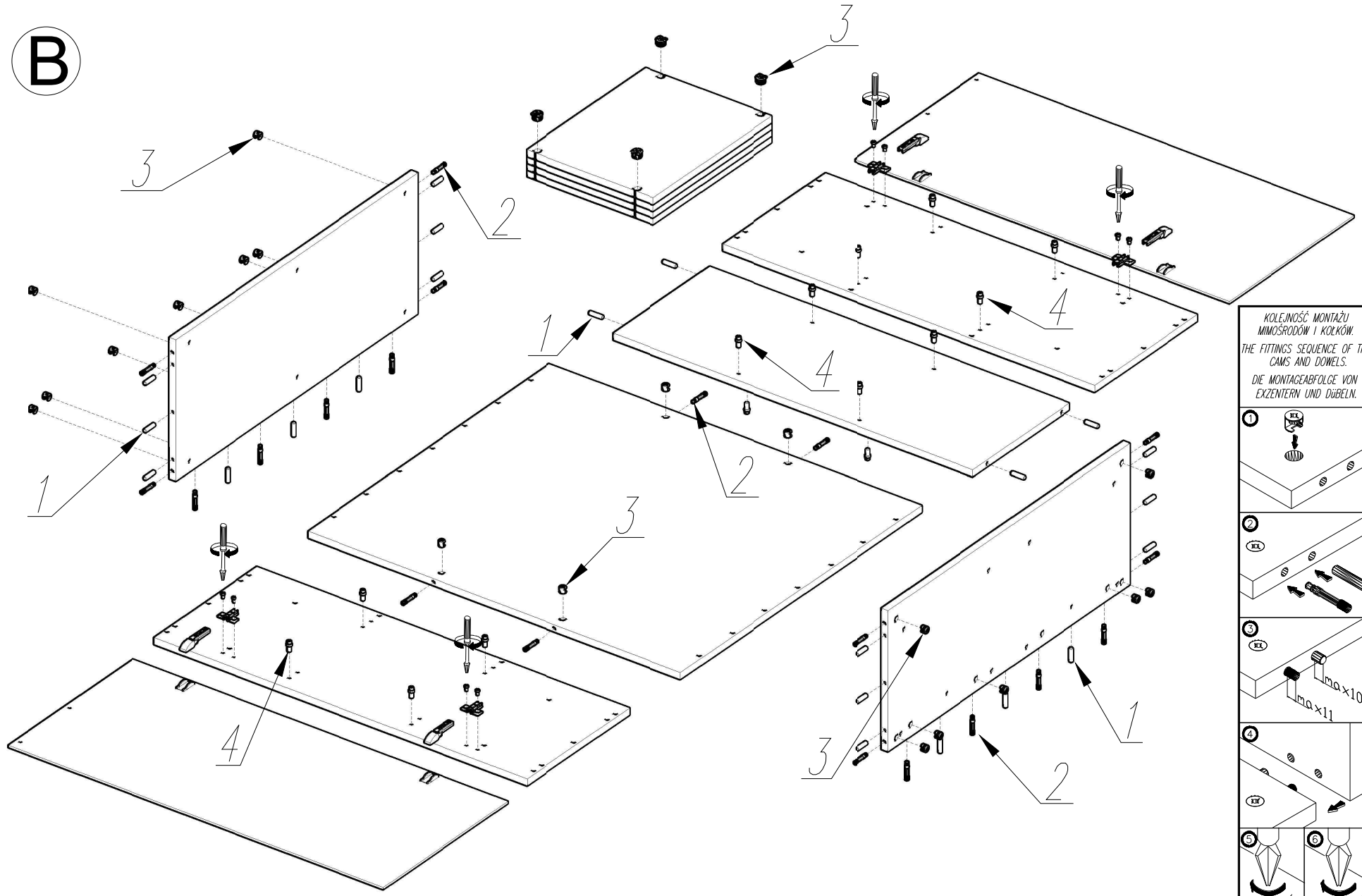
STATUS



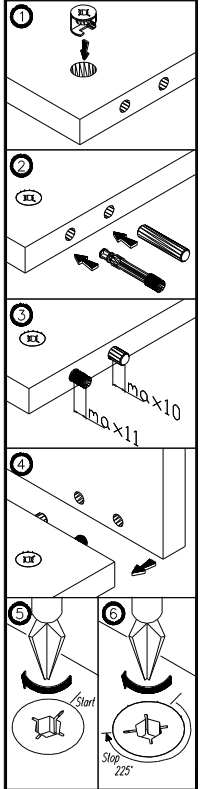
A



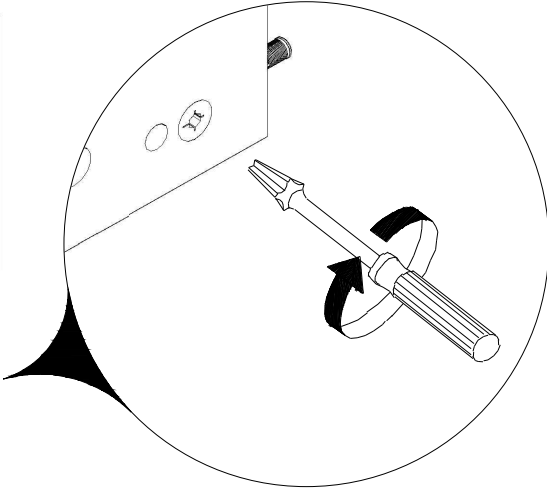
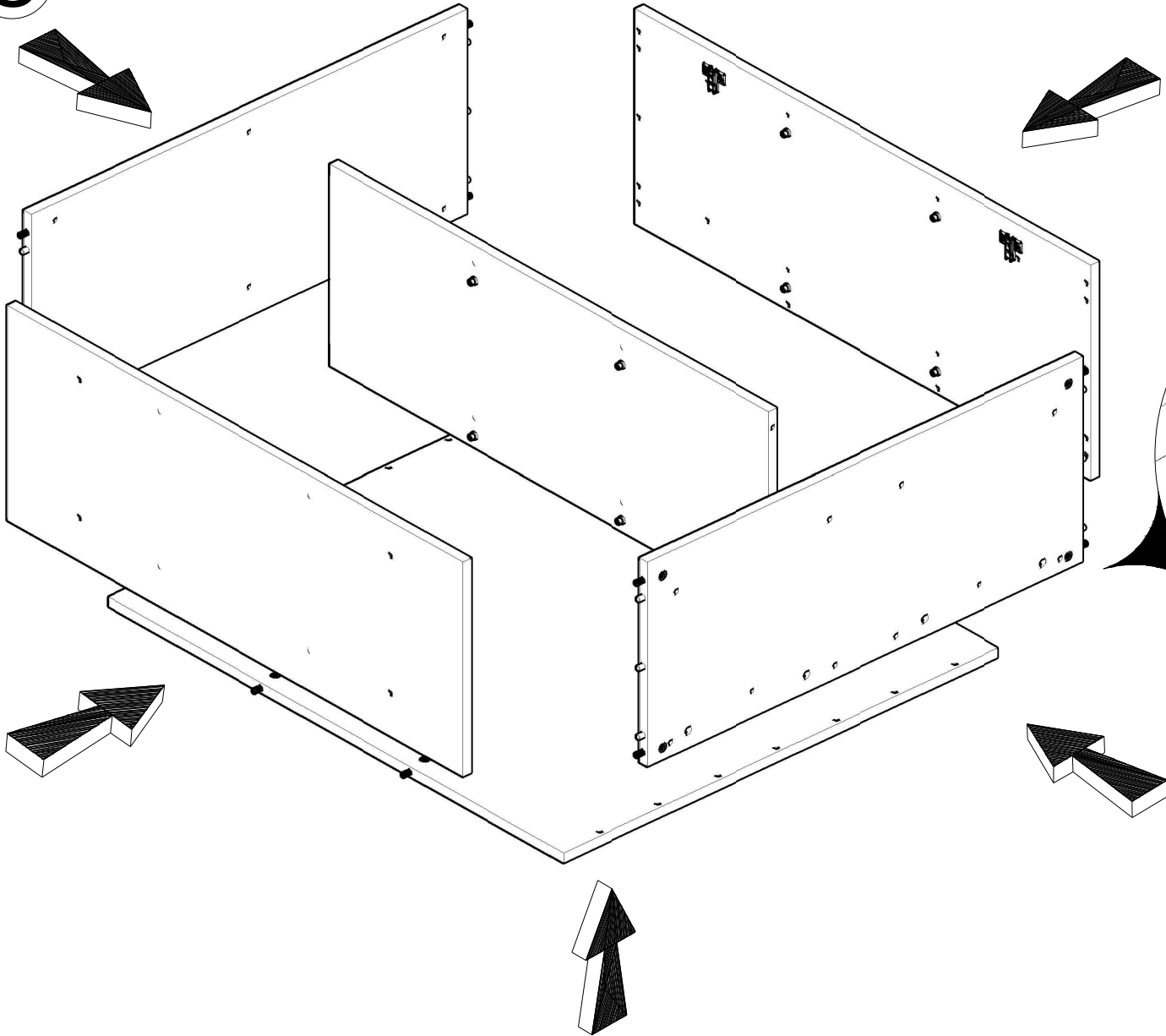
B



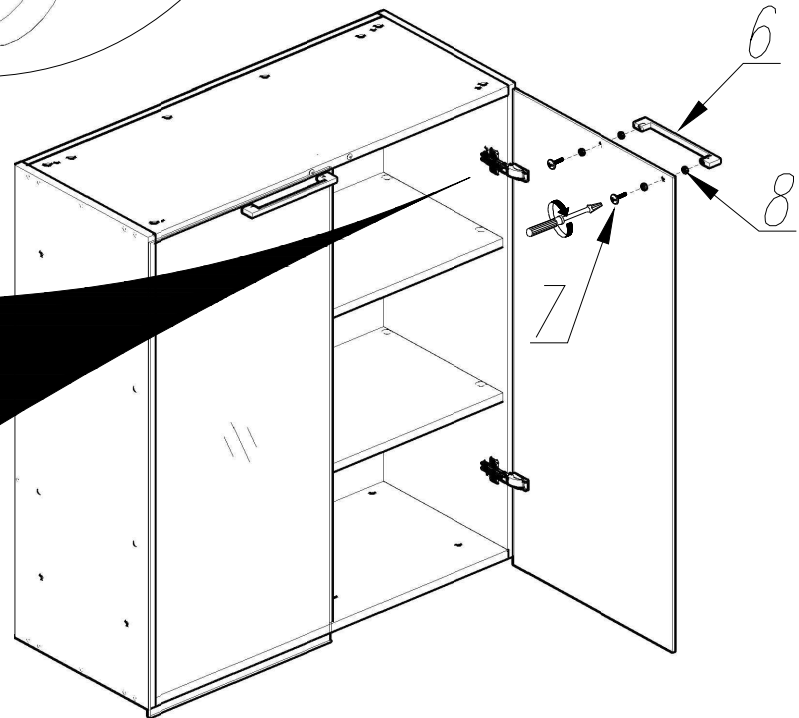
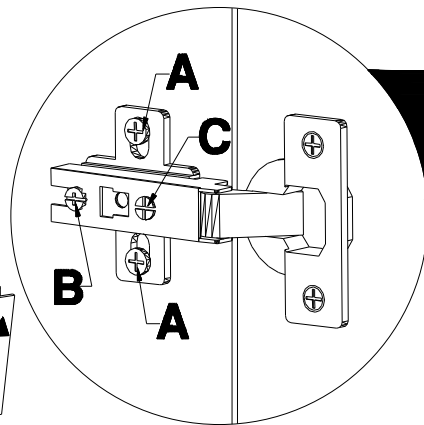
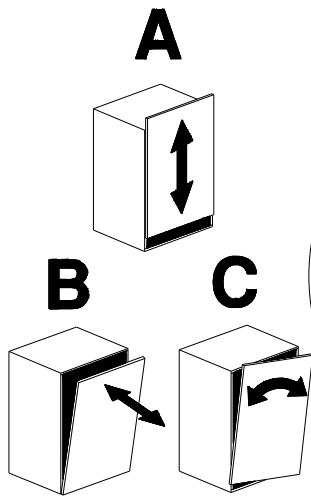
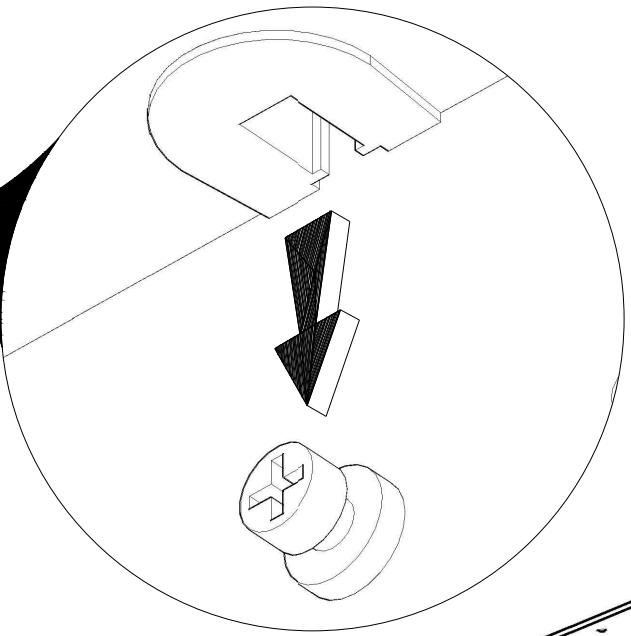
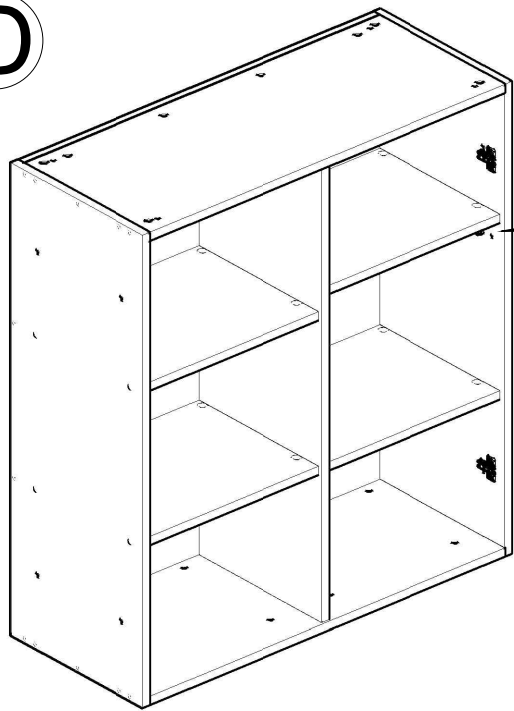
KOLEJNOŚĆ MONTAŻU
MIMOŚRODÓW I KOLKÓW.
THE FITTINGS SEQUENCE OF THE
CAMS AND DOWELS.
DIE MONTAGEABFOLGE VON
EXZENTERN UND DÜBELN.



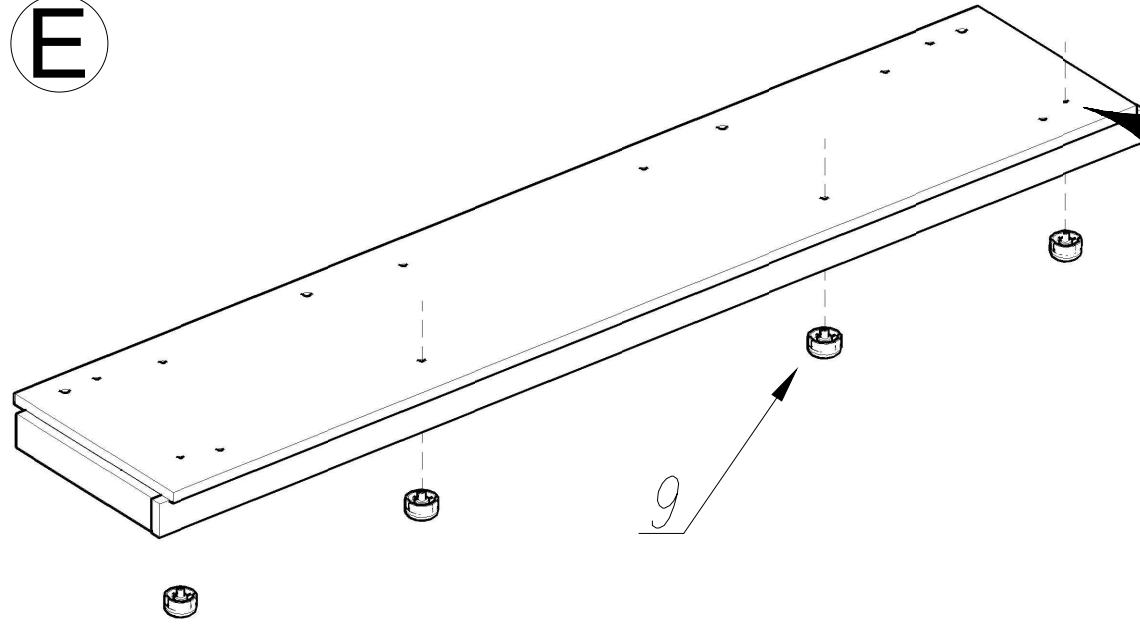
C



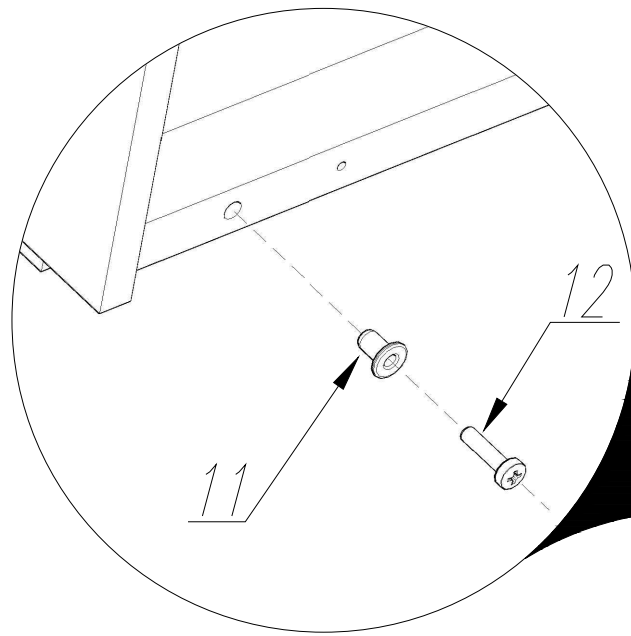
D



E

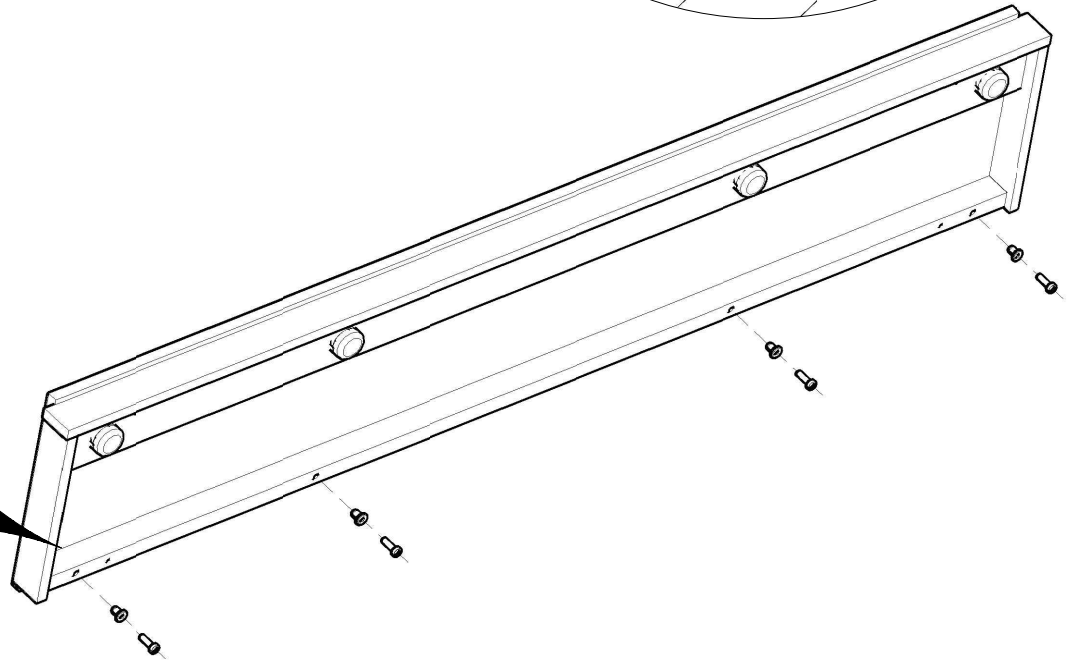


9



11

12



F

