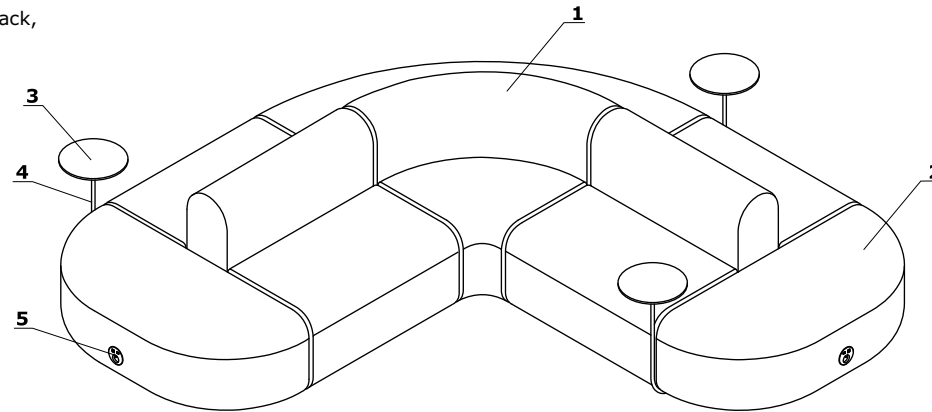


## Technical specification

- 1 Backrest** - particle board framework; cut foam, density of 35 kg/m<sup>3</sup>; upholstered
- 2 Seat** - chipboard frame; type A wave spring; cut foam - 110 mm thick; foam density 35kg/m<sup>3</sup>; upholstered
- 3 Worktop** - MDF lacquered 16 mm - in frame colour
- 4 Frame** - powder coated metal 18 mm
- 5 OPTION WITH EXTRA CHARGE** - Mediabox M071 - colour: black, white; 230V + USB A charger + USB C charger, 2000mA; power cor 1700 mm



Attention! When creating a configuration from components, an image of it must be attached to the order.

## Assembly

