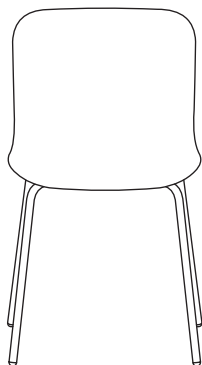


**Technical specification**

**Baltic 2 Basic** - seat polypropylene

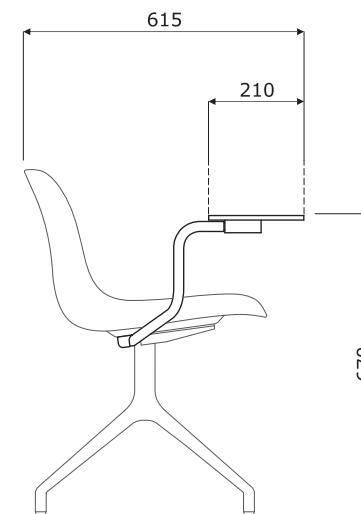
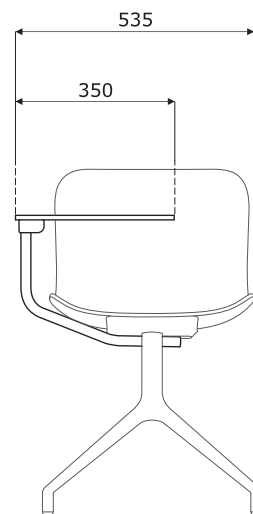


- max. load 120 kg

**Writing tablet**

**Dimensions (mm)**

**OPTION WITH EXTRA CHARGE** - Writing tablet - plywood varnished; tablet + metal bracket arm - always in the same colour as the base



## Bases

**BLK1P1:**

- 4 - legged, metal, powder coated
- legs made of tube Ø18 mm
- polypropylene feet

**BLK1P13:**

- 4 - star, metal, powder coated
- swivel seat - 360°
- legs made of tube Ø22 mm
- polypropylene feet

**BLK1P13K:**

- 4 - star, metal, powder coated
- swivel seat - 360°
- legs made of tube Ø22 mm
- castors for soft floors
- OPTION WITH EXTRA CHARGE - castors for hard floors

**BLK1P22:**

- 5 - star, aluminum, Ø=630 mm, h=360 mm, powder coated
- swivel seat - 360°
- gas spring, steel, colour: black, adjustment range 120 mm (450 - 570 mm)
- castors for soft floors
- OPTION WITH EXTRA CHARGE - castors for hard floors

**BLK1P19, BLK1PP19:**

- 4 - star, aluminum, powder coated
- swivel seat - 360°
- aluminium cast
- legs finished with polypropylene feet

**BLK1P19K, BLK1PP19K:**

- 4 - star, aluminum, powder coated
- swivel seat - 360°
- aluminium cast
- castors for soft floors
- OPTION WITH EXTRA CHARGE - castors for hard floors

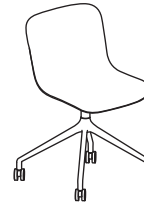
**BLK1P14:**

- 4 wooden legs, Ø35 mm
- beechwood coated with transparent varnish

BLK1P1

BLK1P19  
BLK1PP19

BLK1P13

BLK1P19K  
BLK1PP19K

BLK1P13K



BLK1P14

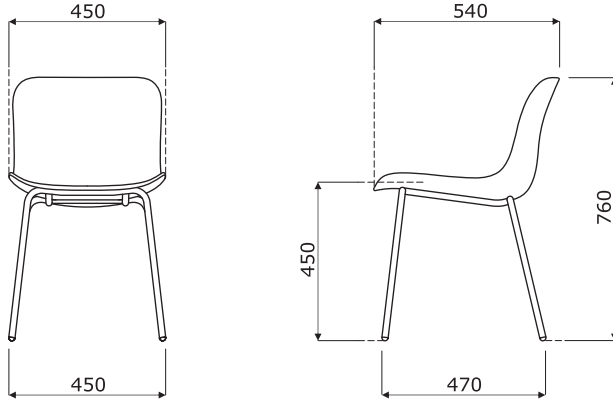


BLK1P22

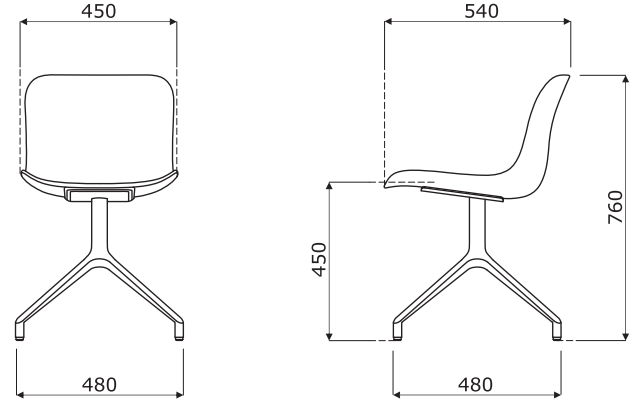


Dimensions (mm)

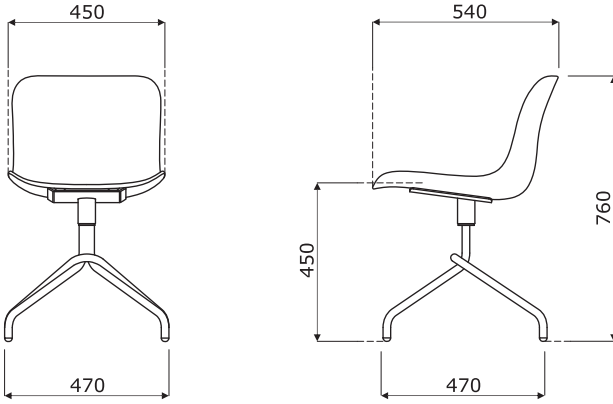
BLK1P1



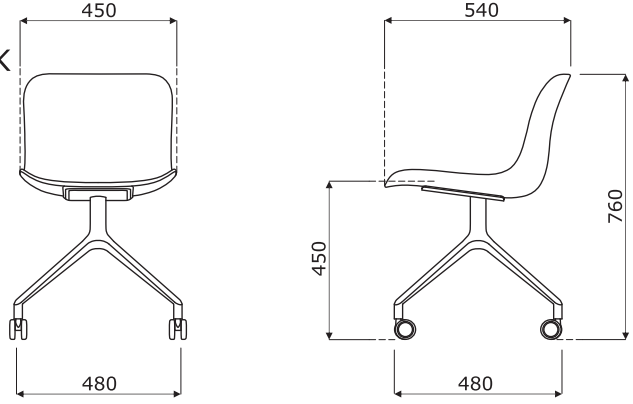
BLK1P19  
BLK1PP19



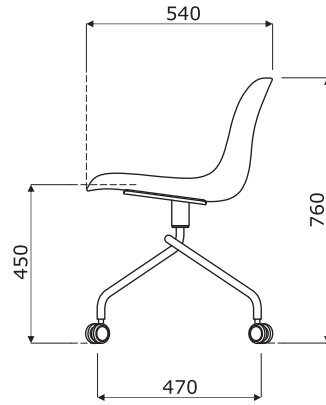
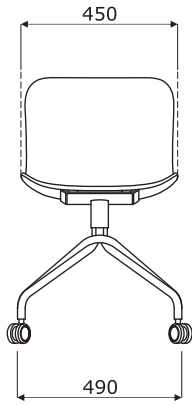
BLK1P13



BLK1P19K  
BLK1PP19K



BLK1P13K



BLK1P22

