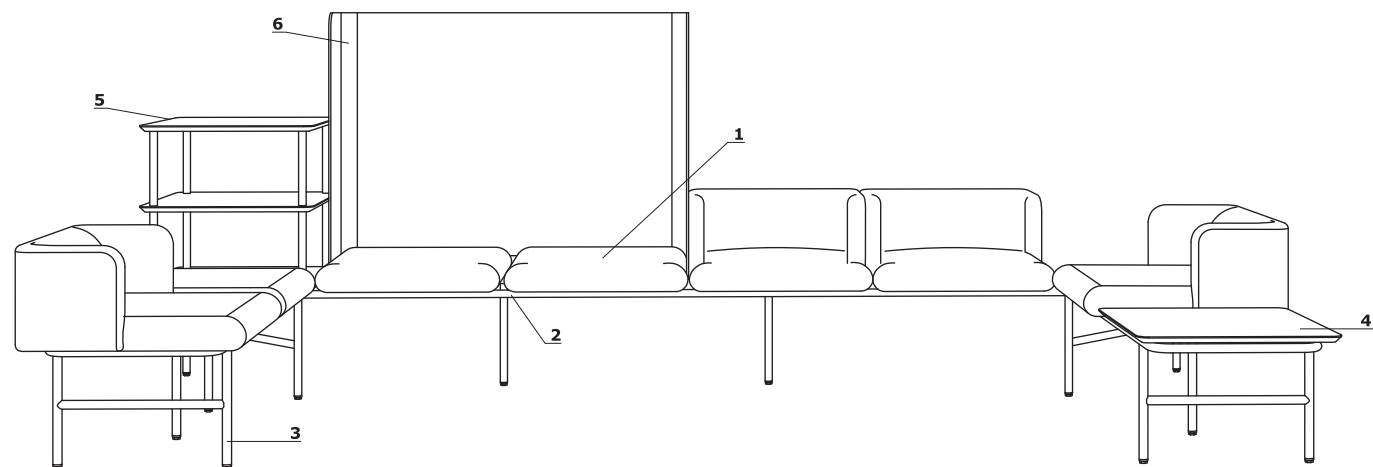


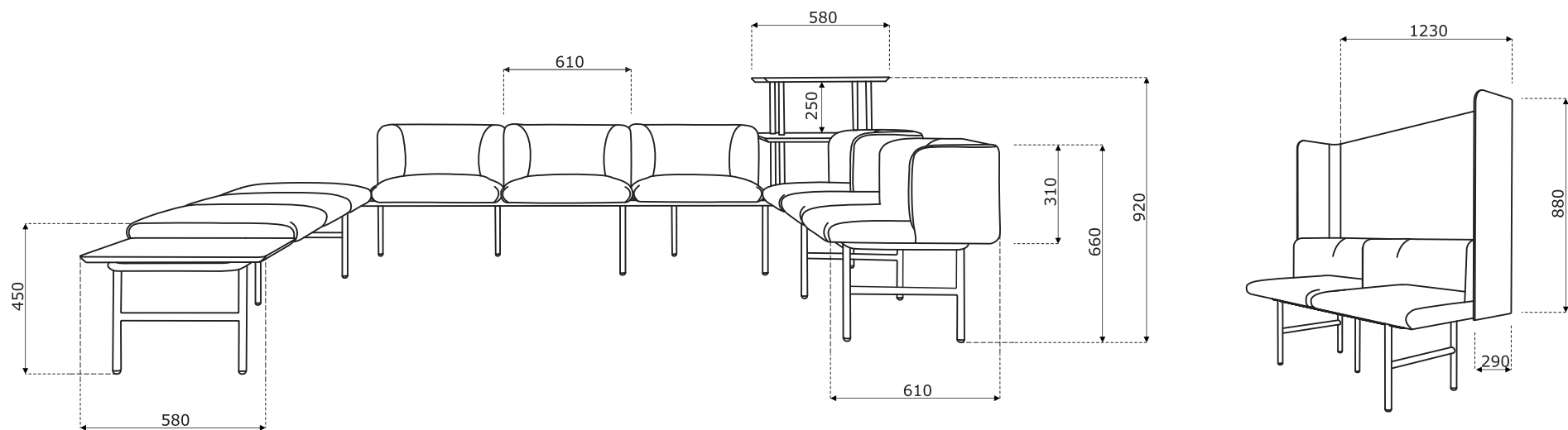
Technical specification

- 1 Seat, backrest** - moulded foam, flame retardant, density of 52 kg/m³, upholstered
- 2 Base** - Ø25 mm, wall thickness 1.5 mm, powder coated
- 3 Legs** - finished with polypropylene feet in frame colour
- 4 Top** - MDF 19mm, natural veneer
- 5 Shelf** - natural veneer
- 6 Screen** - plywood 9 mm, upholstered

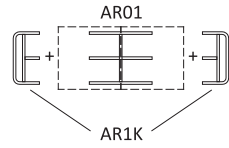
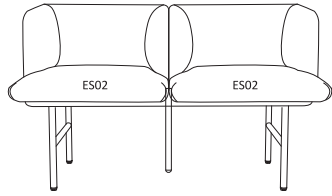


- max. load 120 kg

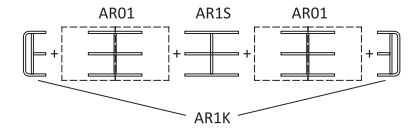
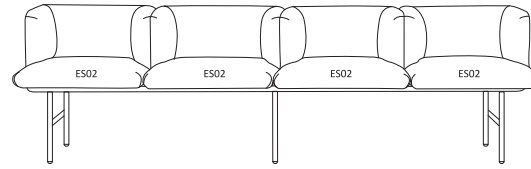
Dimensions (mm)



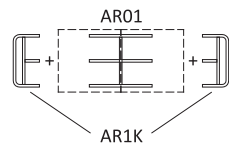
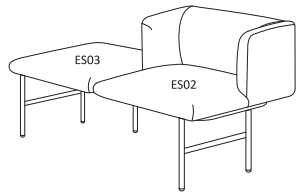
Configuration examples



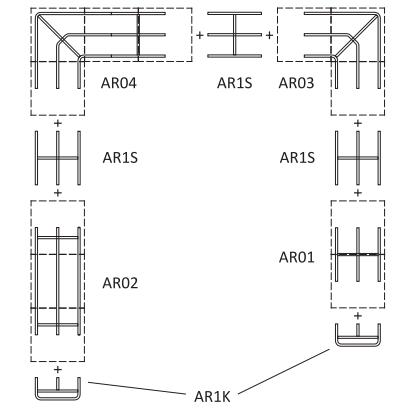
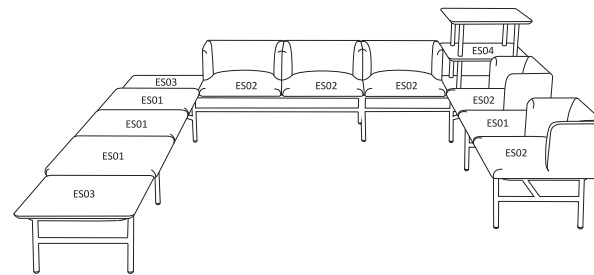
Frame: AR1K + AR01|
Configuration: 2 x ES02



Frame: AR1K + AR01 + AR1S + AR01|
Configuration: 4 x ES02



Frame: AR1K + AR1|
Configuration: ES01 + ES02



Frame: AR1K + AR02 + AR1S + AR03 + AR1S + AR04 + AR1S + AR01|
Configuration: ES03 + 3 x ES01 + ES03 + 3 x ES02 + ES04 + ES02 + ES01 + ES02

Mediabox

1 Mediabox - option with up charge - colour: black, white; 1x 230V + USB A charger + USB C charger, 2000mA; mountable to the frame of the seat in any place along the entire length of the frame

Attention - the screens cannot be mounted side by side

AR02 + AR02

AR02 + AR02

Meeting cubicles

1 TV stand - steel, base made of tempered glass, colour: black; TV max. 26"-65" weighing up to 40kg; VESA mount, rotation (left/right) -25°/+25°; height adjustment from 108-128 cm; with cable concealment system and protection against accidental dropping of the TV;

2 Worktop - MFC 28 mm, ABS edge 2mm

3 Natural wood - ash, with metal element, powder coated, coated with transparent varnish, profile 40 × 40 mm, spacer 10 mm between top and frame

4 Leveling - 10 mm range

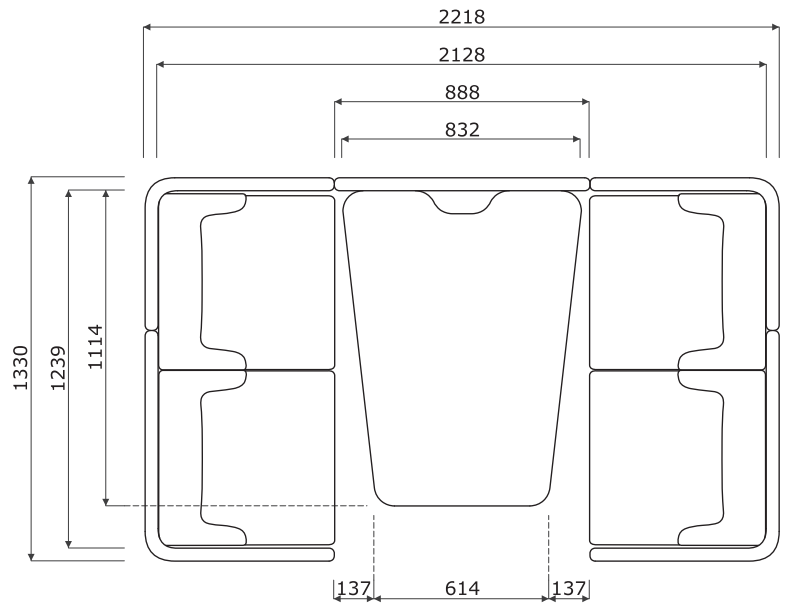
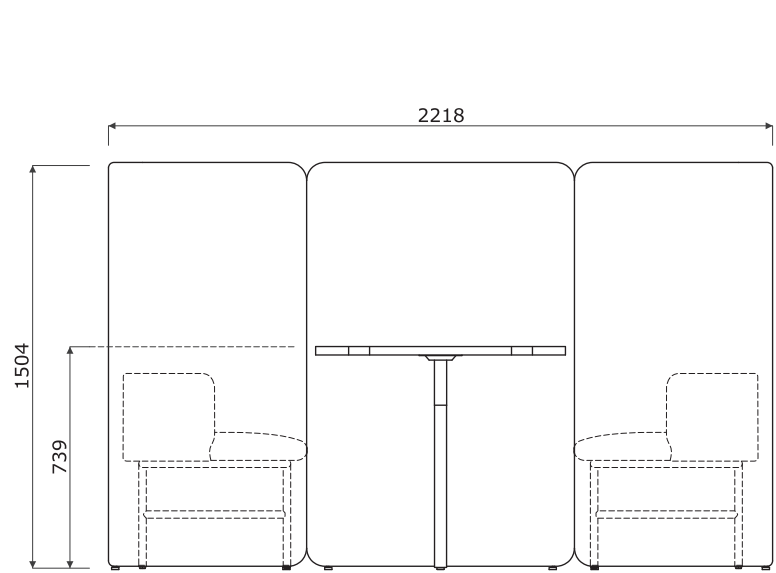
5 Screen - wooden frame, upholstered

OPTIONS WITH EXTRA CHARGE:

6 Mediabox M11 - colour: black, white; 2x230V + USB A charger/ USB C charger + HDMI/RJ45

7 Mediabox M071 - colour: black, white; 230V + USB A charger + USB C

Meeting cubicles - dimensions (mm)



TV stand - dimensions (mm)

