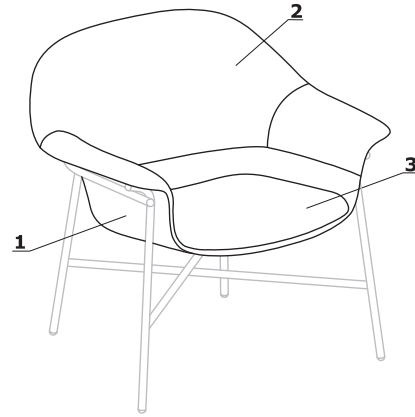


Technical specification

- 1 Seat shell** - polyester-glass laminate, 7 mm, upholstered
- 2 Narrow armrest** - cut foam, density of 35 kg/m³, upholstered
- 3 Cushion** - moulded foam, density of 69 kg/m³, flame retardant, velcro fastening, upholstered

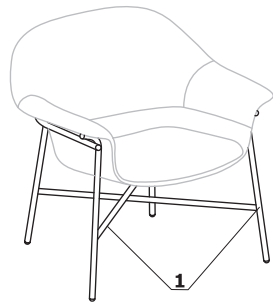


- max. load 120 kg

Bases

1 IS01

- 4 - legged, metal, powder coated
- legs made of tube Ø18 mm, wall thickness 2 mm, CNC - bent
- legs finished with polypropylene feet



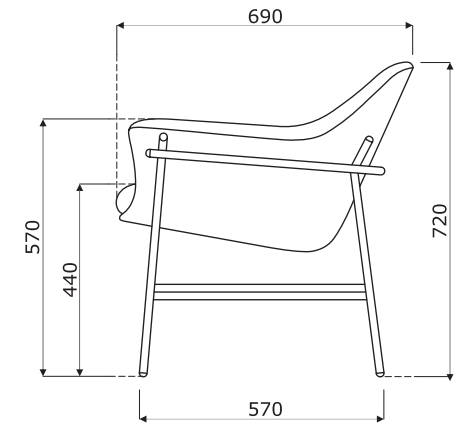
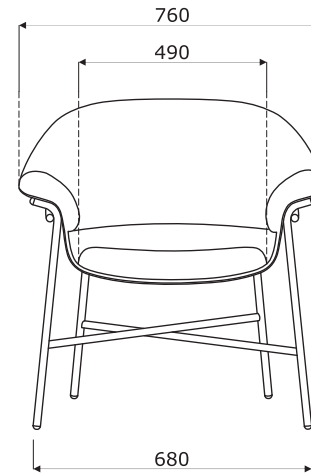
2 IS02

- skid, metal, powder coated
- legs made of tube Ø18 mm, wall thickness 2 mm, CNC - bent



Dimensions (mm)

IS01



IS02

