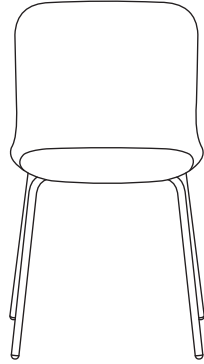


Technical specification

Baltic 2 Remix - seat polypropylene + cushion - moulded foam, flame retardant, density of 50 kg/m³, upholstered

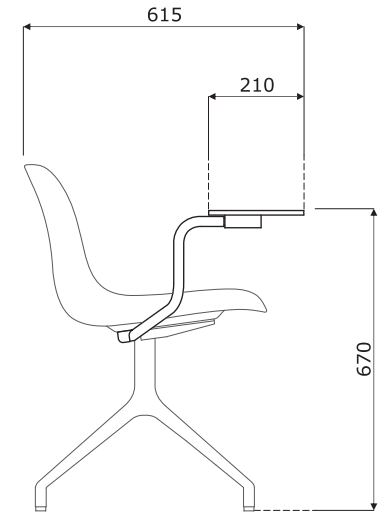
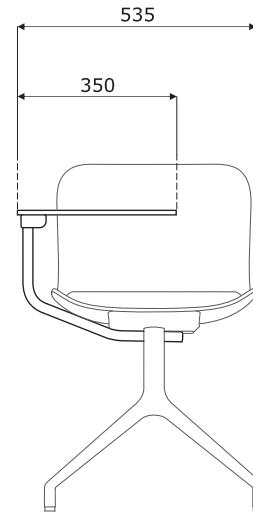


- max. load 120 kg

Writing tablet

Dimensions (mm)

OPTION WITH EXTRA CHARGE - Writing tablet - plywood varnished; tablet + metal bracket arm - always in the same colour as the base



Bases

BLK3P1:

- 4 - legged, metal, powder coated
- legs made of tube Ø18 mm
- polypropylene feet

**BLK3P1****BLK3P13:**

- 4 - star, metal, powder coated
- swivel seat - 360°
- legs made of tube Ø22 mm
- polypropylene feet

**BLK3P13****BLK3P13K:**

- 4 - star, metal, powder coated
- swivel seat - 360°
- legs made of tube Ø22 mm
- castors for soft floors
- OPTION WITH EXTRA CHARGE - castors for hard floors

BLK3P22:

- 5 - star, aluminum, Ø=630 mm, h=360 mm, powder coated
- swivel seat - 360°
- gas spring, steel, colour: black, adjustment range 120 mm (450 - 570 mm)
- castors for soft floors
- OPTION WITH EXTRA CHARGE - castors for hard floors

**BLK3P22****BLK3P19, BLK3PP19:**

- 4 - star, aluminum, powder coated
- swivel seat - 360°
- aluminium cast
- legs finished with polypropylene feet

BLK3P19K, BLK3PP19K:

- 4 - star, aluminum, powder coated
- swivel seat - 360°
- aluminium cast
- castors for soft floors
- OPTION WITH EXTRA CHARGE - castors for hard floors

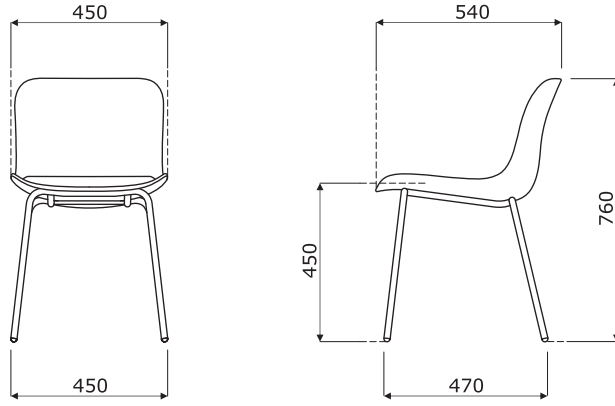
BLK3P14:

- 4 wooden legs, Ø35 mm
- beechwood coated with transparent varnish

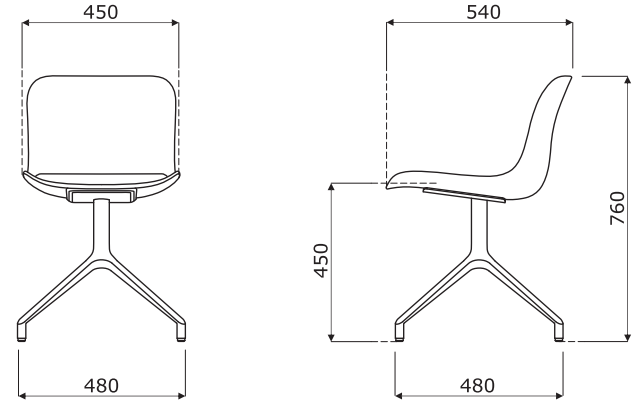
**BLK3P19
BLK3PP19****BLK3P19K
BLK3PP19K****BLK3P13K****BLK3P14**

Dimensions (mm)

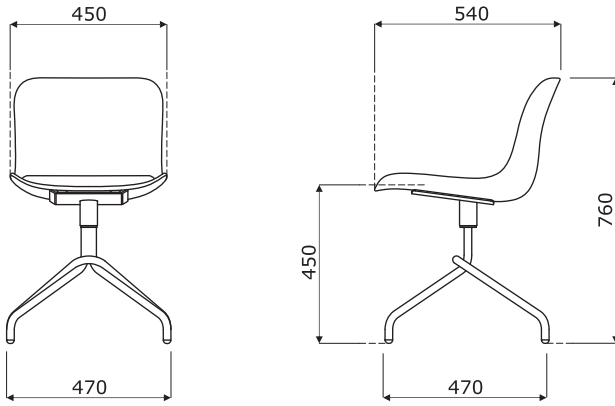
BLK3P1



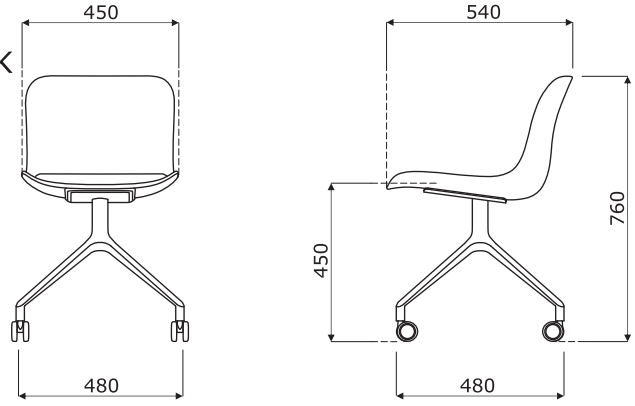
BLK3P19
BLK3PP19



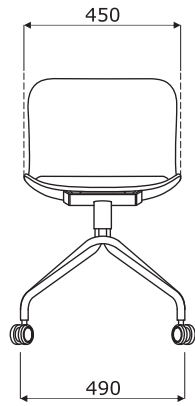
BLK3P13



BLK3P19K
BLK3PP19K



BLK3P13K



BLK3P22

