

WIND task chair family

Design by Baldanzi & Novelli designers | Italy



QUALITY STANDARDS

- EN 1335-1:2020
- EN 1335-2:2018
- ISO 24496:2021

TECHNICAL INFORMATION

Type

- Task chairs

Seat

- Fixed or depth adjustable (70 mm run range);
- Lower part (inner and outer) made of PP (polypropylene);
- Foam made of polyurethane;
- Fabric or leather look upholstered.

Backrest

- Frame made of black or white plastic;
- Mesh, fabric or leather look upholstered;
- Inner foam made of polyurethane (fabric upholstery).

Lumbar support

- Height adjustable (80 mm run range);
- Made of transparent silicon.

Armrests

- Fixed black plastic armrests;
- 2D (two directions) adjustable black plastic armrests.
- 2D (two directions) adjustable black plastic or white plastic armrests with polished aluminum lower part.
- 2D height adjustable armrests (80 mm run range), pad moves forward and backward (55 mm range).
- 3D (three directions) adjustable black plastic armrests.
- 3D (three directions) adjustable black plastic or white plastic armrests with polished aluminum lower part.
- 3D height adjustable armrests (80 mm run range), width adjustable (37 mm run range), pad moves forward and backward (55 mm range).
- All armrests upper part coated with PU (polyurethane) pads, soft touch.

Headrest

- Frame made of nylon plastic;
- Soft part made of polyurethane;
- Height adjustable (60 mm run range);
- Fabric or leather look upholstered.

Mechanism

- Weight-sensitive synchronized mechanism;
- 3 backrest locking positions by push button;
- Height adjustment by side lever.

Gas lift

- Chromed or black color;
- 120 mm run range.

Bases

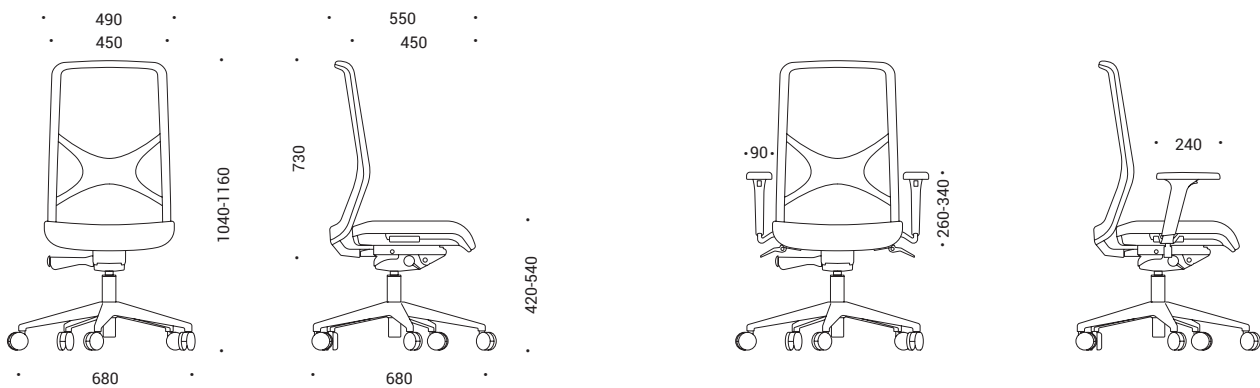
- Five-star polished aluminium base;
- Five-star black or white fiberglass reinforced plastic base;
- External Ø680 mm.

Castors

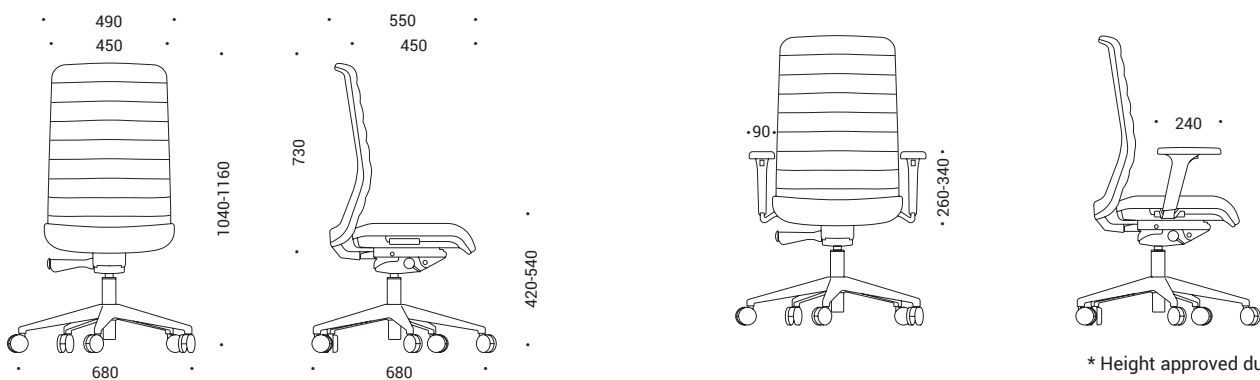
- Rubber free wheel castors for hard floor, Ø65 mm;
- PA (polyamide) free wheel castors for soft floor, Ø65 mm.

RANGE

With mesh backrest



With fabric backrest



* Height approved during certification.

Optional



Fixed armrests



2D (two directions)
adjustable armrests



3D (three directions)
adjustable armrests



Headrest