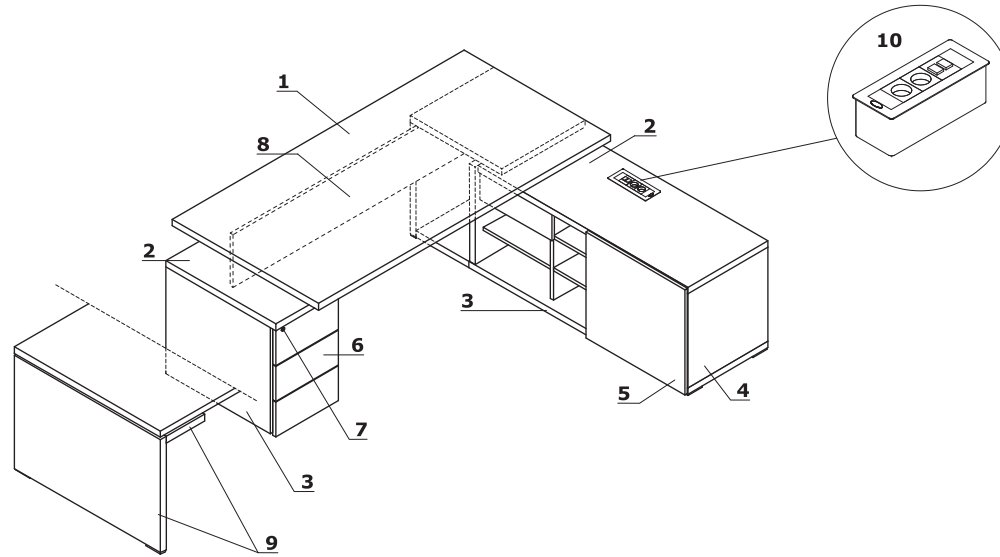


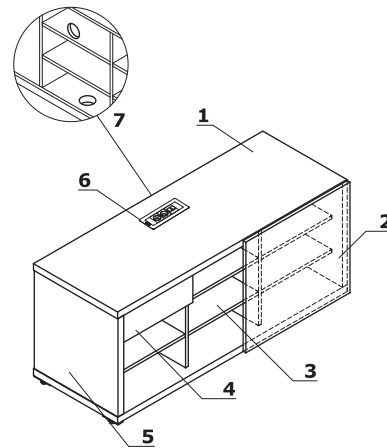
Desks

- 1 **Worktop** - MFC 38 mm, ABS edge 2 mm
- 2 **Top** - MFC 38 mm, ABS edge 2 mm
- 3 **Base** - MFC 38 mm, ABS edge 2 mm
- 4 **Body** - MFC 18 mm, ABS edge 2 mm
- 5 **Sliding front** - MFC 18 mm, ABS edge 2 mm
- 6 **Front** - MFC 18 mm, ABS edge 2 mm
- 7 **Central lock** - foldable key
- 8 **Modesty panel** - MFC 18 mm, ABS edge 2 mm
- 9 **HPL base** - high gloss/ mat - 38 mm
- 10 **Mediaport S91E** - OPTION WITH EXTRA CHARGE - 2x 230V, 2x RJ45



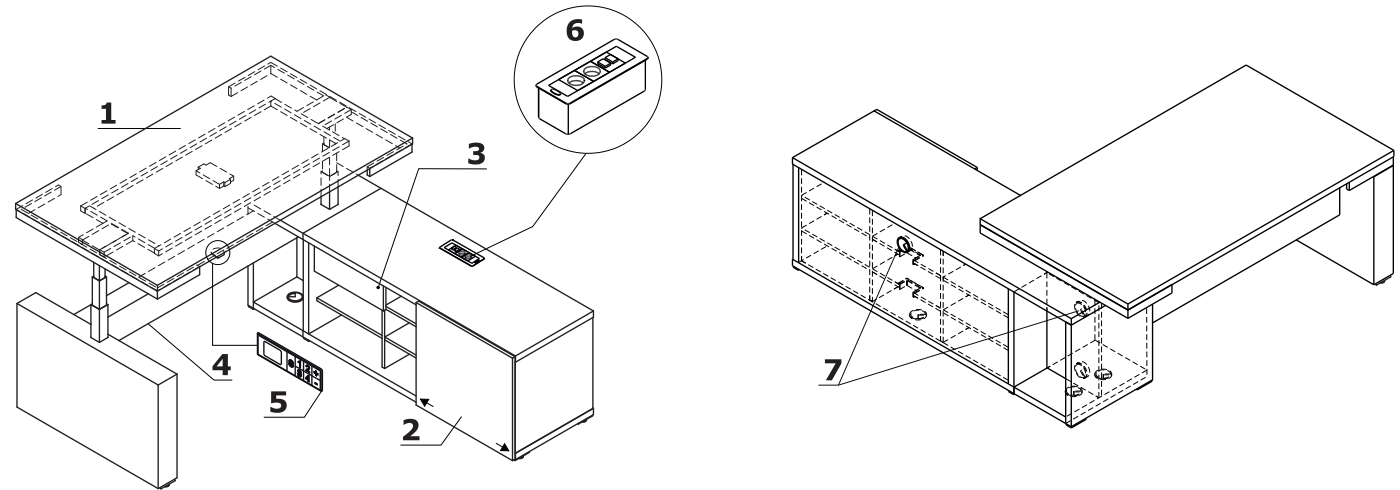
Managerial storages - A12M

- 1 **Top** - MFC 38 mm, ABS edge 2 mm
- 2 **Front** - MFC 18 mm, ABS edge 2 mm
- 3 **Interior** - MFC 18 mm
- 4 **Drawer** - MFC 18 mm, ABS edge 2 mm, patent lock - possible to change location
- 5 **Side panels** - MFC 38 mm, ABS edge 2 mm
- 6 **Mediaport S91E** - OPTION WITH EXTRA CHARGE - 2x 230V, 2x RJ45
- 7 **Cable grommets** - Ø88 mm



Decks with electric height adjustment and managerial storage

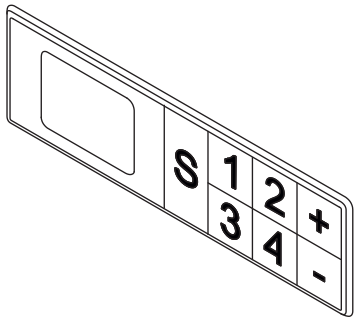
- 1 **Worktop** - MFC 38 mm, ABS edge 2 mm
- 2 **Sliding front** - MFC 18 mm, ABS edge 2 mm
- 3 **Drawer** - MFC 18 mm, ABS edge 2 mm, possible to change location
- 4 **Electric height adjustable frame** - powder coated steel, load 100 kg, telescopic leg 60/60, 50/50, 40/40 mm
- 5 **Control panel**
 - A - up and down keypad with memory; the ability to change the sensitivity of the anti-collision system within 3 levels: Low, Medium, High
 - B - OPTION FOR AN ADDITIONAL COST to panel A - bluetooth module - control via .mdd Desk BT application (downloadable from Google Play or App Store). The app has a time interval function that informs the user about the need of changing body position (from sitting to standing or standing to sitting)
- 6 **Mediaport S91E** - OPTION WITH EXTRA CHARGE - 2x 230V, 2x RJ45
- 7 **Cable grommets**



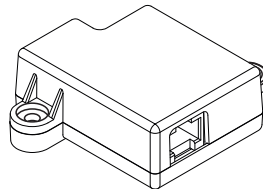
Frame technical specification

- **Height adjustment** - 40 mm/sec Super Soft Start - Stop
- **Drive** - 2 synchronised motors with microprocessor, work control sensor
- **ISP** - Intelligent System Protection
- **Standards** - EN 527-2
- **EU Directives** - 206/95EC, UI508 1999, UL 1004 R7 06, WE DC 2004/108WE
- **Power supply** - 230V, 300W, power consumption on Standby - 0.3W

A



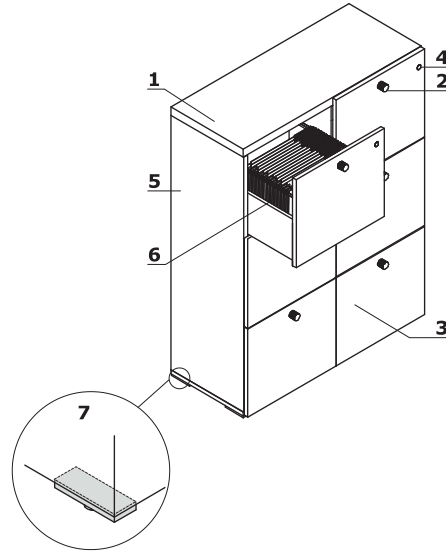
B



Worktop permanently mounted to the side cabinet

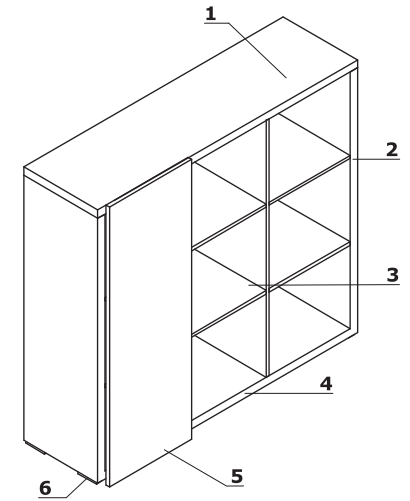
Cabinets with file drawers

- 1 **Top** - MFC 38 mm, ABS edge 2 mm
- 2 **Aluminum handle**
- 3 **Front** - HPL - high gloss
- 4 **Central lock** - foldable key
- 5 **Side panels** - MFC 18 mm, ABS edge 2mm
- 6 **Suspension files drawer** - MFC 18 mm, ball runners, max load 45kg, 100% extraction
- 7 **Leveling** - 5 mm range



Sliding door storages

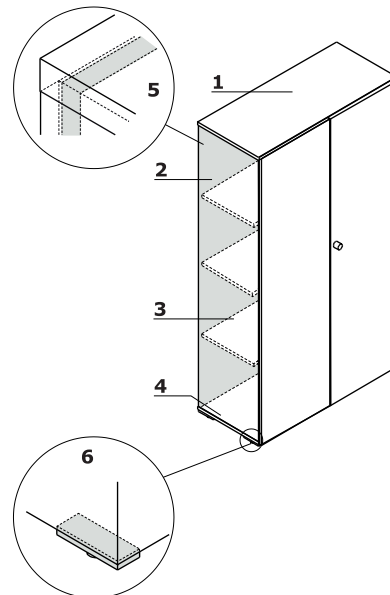
- 1 **Top** - MFC 38 mm, ABS edge 2 mm
- 2 **Side panels** - MFC 38 mm, ABS edge 2 mm
- 3 **Interior** - MFC 18 mm
- 4 **Base** - MFC 38 mm, ABS edge 2 mm
- 5 **Sliding front** - MFC 18 mm, ABS edge 2 mm
- 6 **Leveling** - 5 mm range



Sliding front storages MIT7 / MIT18

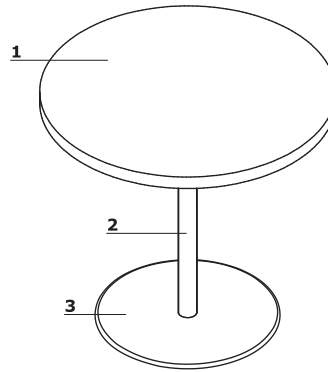
Storages

- 1 **Top** - MFC 18 mm, ABS edge 2 mm
- 2 **Side panels** - MFC 18 mm, ABS edge 2mm
- 3 **Shelf** - MFC 18 mm, protection against accidental falling-out, ABS edge 2 mm, max load 30 kg
- 4 **Base** - MFC 18 mm, ABS edge 2 mm
- 5 **Back MFC** - 18 mm, ABS edges 2 mm
- 6 **Leveling** - 5 mm range
- 7 **Espagnolette lock in doorknob**



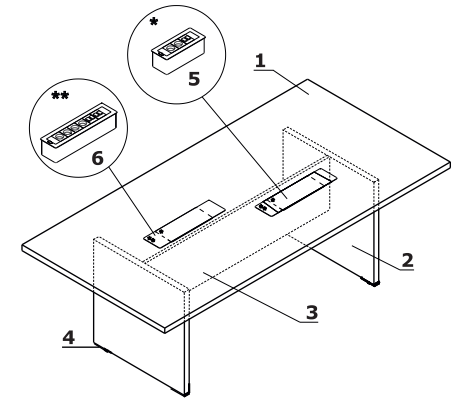
Disc base meeting tables

- 1 **Worktop** - MFC 38 mm, ABS edge 2 mm
- 2 **Column** - powder coated steel
- 3 **Disc** - stainless steel INOX



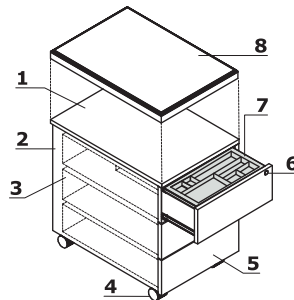
MFC base meeting tables

- 1 **Worktop** - MFC 38 mm, ABS edge 2 mm
- 2 **HPL base** - high gloss/ mat - 38 mm
- 3 **Modesty panel** - MFC 18 mm, ABS edge 2 mm
- 4 **Leveling** - 5 mm range
- 5 **Mediaport S91E** - OPTION WITH EXTRA CHARGE - 2x 230V, 2x RJ45
- 6 **Mediaport S92E** - OPTION WITH EXTRA CHARGE - 4x 230V, 4x RJ45



Mobile pedestal without handles (MIT120, MIT130)

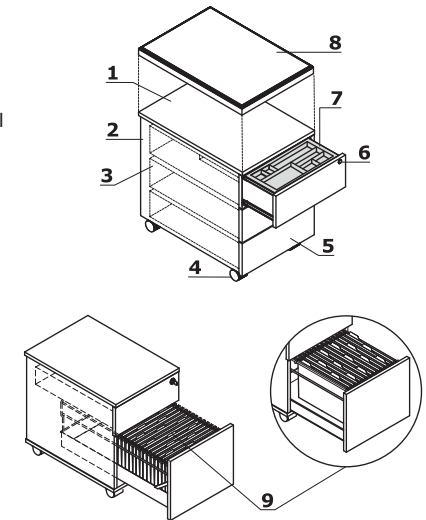
- 1 **Top** - MFC 18 mm, ABS edge 2 mm
- 2 **Body** - MFC 18 mm, ABS edge 2 mm
- 3 **MFC drawer** - ball runners, max load 25kg, 100% extraction, soft closing
- 4 **Castors** - Ø50 mm, two with brakes
- 5 **Front** - MFC 18 mm, ABS edge 2 mm
- 6 **Central lock** - foldable key
- 7 **Pencil tray** - plastic, colour: black
- 8 **Optional cushion SKP13** - for pedestal, max load 120 kg, ordered separately



ATTENTION - sitting on the pedestal possible only after mounting the cushion (SKP13); the pedestal with cushion is intended for sitting only - moving the pedestal while sitting may result in damaging the castors

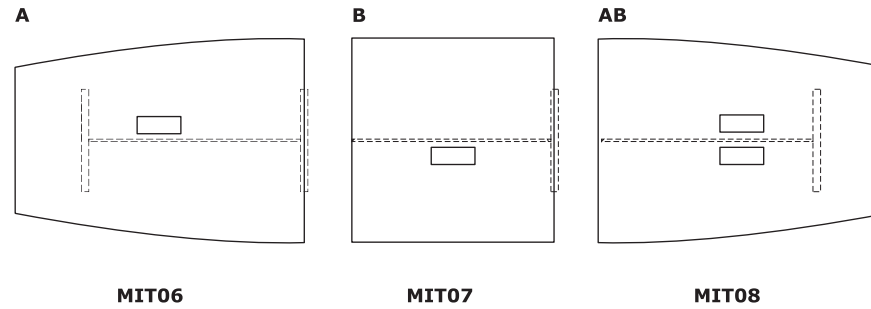
Mobile pedestal without handles (SLD12HT, SLD13HT)

- 1 **Top** - MFC 18 mm, coated with HPL - mat
- 2 **Body** - MFC 18 mm, ABS edge 2 mm
- 3 **Metal drawer** - roll runners, max load 25 kg, 80% extraction, anti-tilt mechanism; OPTION WITH EXTRA CHARGE - ball runners, soft-closing system
- 4 **Castors** - Ø50 mm, two with brakes
- 5 **Front** - MFC 18 mm, coated with HPL - mat, ABS edge 2 mm
- 6 **Central lock** - foldable key
- 7 **Pencil tray** - plastic, colour: black
- 8 **Optional cushion SKP13** - for pedestal, max load 120 kg, ordered separately
- 9 **Suspension files drawer** - ball runners, max load 30 kg, 100% extraction, A4 folders can be situated parallelly and perpendicularly to the front

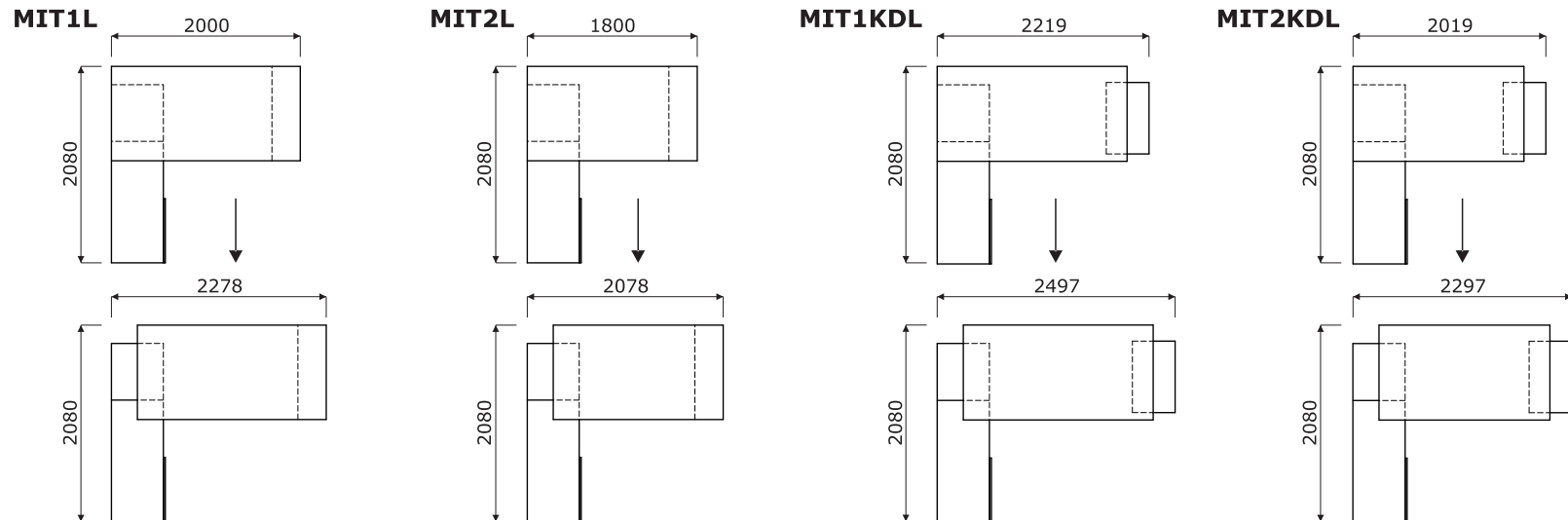


ATTENTION - sitting on the pedestal possible only after mounting the cushion (SKP13); the pedestal with cushion is intended for sitting only - moving the pedestal while sitting may result in damaging the castors

Possible mediaport location



Configuration examples (mm)



Possibility to change the position of tabletop in two different positions in relation to the cabinet - mounted directly above the cabinet or offset, leaving space between the tabletop and the cabinet; offset range 278 mm