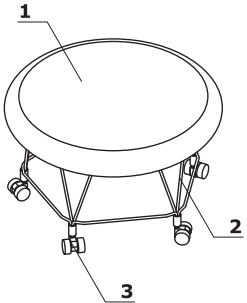


**Stool**

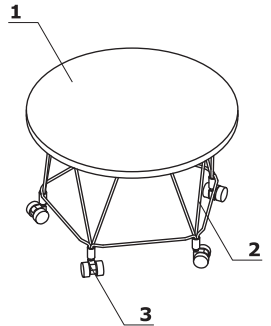
- 1 **Seat** - cut foam, density of 40 kg/m<sup>3</sup>, upholstered
- 2 **Base** - Ø 6 mm wired legs, powder coated
- 3 **Castors** - Ø 36 mm



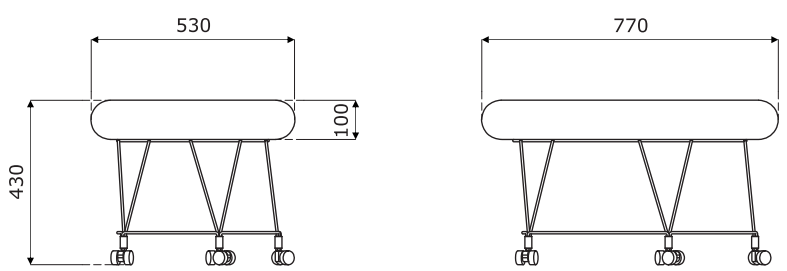
- max. load 120 kg

**Tables**

- 1 **Worktop** - MFC 18 mm, veneer/HPL 20 mm
- 2 **Base** - Ø 6 mm wired legs, powder coated
- 3 **Castors** - Ø 36 mm



**Stool - dimensions (mm)**



**PTP53**                      **PTP77**