

DINAMICA

SOFT HIGH BACK CHAIR



Code ODINAA01
ODINAA11

DESCRIPTION

High back executive armchair

NOTE

65mm wheel brake in hard, soft or ring

SPECIFICATIONS

STRUCTURE

Black or white Nylon

MECHANISM

MEC01 - Aluminum block with control for seat elevation

MEC03 - Knee tilt - Anti-shock device - 6 positions - Side weight adjustment - Made in Italy

PADDING

Seat: thickness 10 mm, density 30 Kg/m³

Backrest: thickness 10 mm, density 30 Kg/m³

ARMS

Black or white Nylon

LEGS / FRAME / BASE

Black or white nylon 700mm or Polished die-cast aluminum base 700mm

UPHOLSTERY

Categories B01-C05 (see "FINISHING COLLECTION" folder)

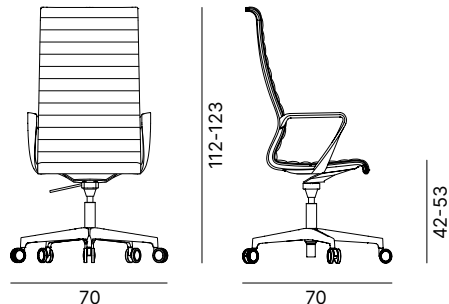
SIZE

Dimensions in millimeters

chair
L 700 H 1120-1230 D 700

seat
L 490 H 420-530 D 440

backrest
L 460 H 680



WEIGHT

Net weight a chair: 17 Kg

Gross weight a chair: 19 Kg

PACKAGING

1 x package

L 970 H 470 D 640

VOLUME

M3 package: 0,33

DINAMICA

MESH HIGH BACK CHAIR

Code ODINAA02
ODINAA12



DESCRIPTION

High back executive armchair in mesh

NOTE

65mm wheel brake in hard, soft or ring

SPECIFICATIONS

STRUCTURE

Black or white Nylon

MECHANISM

MEC01 - Aluminum block with control for seat elevation

MEC03 - Knee tilt - Anti-shock device - 6 positions - Side weight adjustment - Made in Italy

ARMS

Black or white Nylon

LEGS / FRAME / BASE

Black or white nylon 700mm or Polished die-cast aluminum base 700mm

UPHOLSTERY

Mesh R05 (SEE FABRIC FOLDER)

SIZE

Dimensions in millimeters

chair

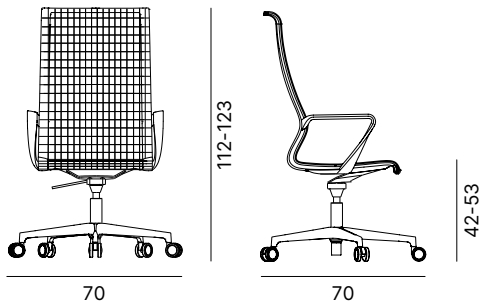
L 700 H 1120-1230 D 700

seat

L 490 H 420-530 D 440

backrest

L 460 H 680



WEIGHT

Net weight a chair: 10 Kg

Gross weight a chair: 12 Kg

PACKAGING

1 x package

L 970 H 470 D 640

VOLUME

M3 package: 0,33

DINAMICA

SOFT MID BACK CHAIR

Code ODINAB01
ODINAB11



DESCRIPTION

Mid back executive armchair

NOTE

65mm wheel brake in hard, soft or ring

SPECIFICATIONS

STRUCTURE

Black or white Nylon

MECHANISM

MEC01 - Aluminum block with control for seat elevation

MEC03 - Knee tilt - Anti-shock device - 6 positions - Side weight adjustment - Made in Italy

PADDING EXPANDED POLYURETHANE

Seat: thickness 10 mm, density 30 Kg/m³

Backrest: thickness 10 mm, density 30 Kg/m³

ARMS

Black or white Nylon

LEGS / FRAME / BASE

Black or white Nylon D700 oppure Polished die-cast aluminum base 700mm

UPHOLSTERY

Categories B01-C05 (see "FINISHING COLLECTION" folder)

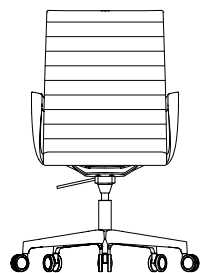
SIZE

Dimensions in millimeters

chair
L 700 H 960-1070 D 700

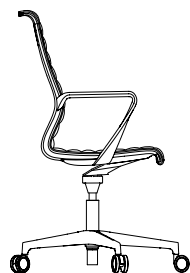
seat
L 490 H 420-530 D 440

backrest
L 460 H 540



96-107

70



42-53

70

WEIGHT

Net weight a chair: 17 Kg

Gross weight a chair: 19 Kg

PACKAGING

1 x package

L 810 H 470 D 640

VOLUME

M3 package: 0,26

DINAMICA

MID BACK MESH CHAIR



Code ODINAB02
ODINAB12

DESCRIPTION

Mid back executive armchair in mesh

NOTE

65mm wheel brake in hard, soft or ring

SPECIFICATIONS

STRUCTURE

Black or white Nylon

MECHANISM

MEC01 - Aluminum block with control for seat elevation

MEC03 - Knee tilt - Anti-shock device - 6 positions - Side weight adjustment - Made in Italy

ARMS

Black or white Nylon

LEGS / FRAME / BASE

Black or white nylon 700mm or Polished die-cast aluminum base 700mm

UPHOLSTERY

Mesh R05 (SEE FABRIC FOLDER)

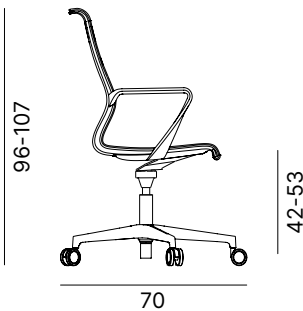
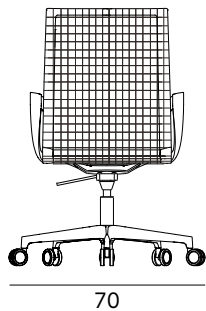
SIZE

Dimensions in millimeters

chair
L 700 H 96-107 D 700

seat
L 490 H 42-53 D 440

backrest
L 460 H 540



WEIGHT

Net weight a chair: 9 Kg
Gross weight a chair: 11 Kg

PACKAGING

1 x package
L 810 H 470 D 640

VOLUME

M3 package: 0,26

DINAMICA

MESH VISITOR CHAIR



Code ODINAV02
ODINAV12

DESCRIPTION

Visitor armchair in mesh

SPECIFICATIONS

STRUCTURE

Black or white Nylon

ARMS

Black or white Nylon

LEGS / FRAME / BASE

Die-cast aluminum base 700mm polished or painted black or white, with feet

UPHOLSTERY

Mesh R05 (SEE FABRIC FOLDER)

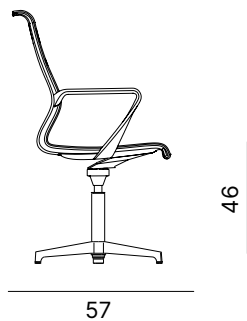
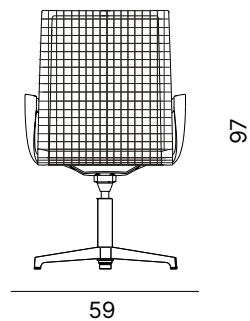
SIZE

Dimensions in millimeters

chair
L 590 H 970 D 570

seat
L 490 H 460 D 440

backrest
L 460 H 540



WEIGHT

Net weight a chair: 17 Kg
Gross weight a chair: 19 Kg

PACKAGING

1 x package
L 810 H 470 D 640

VOLUME

M3 package: 0,26

DINAMICA

SOFT, VISITOR CHAIR



Code ODINAV01
ODINAV11

DESCRIPTION
Visitor armchair

SPECIFICATIONS

STRUCTURE
Black or white Nylon

PADDING EXPANDED POLYURETHANE
Seat: thickness 10 mm, density 30 Kg/m³
Backrest: thickness 10 mm, density 30 Kg/m³

ARMS
Black or white Nylon

LEGS / FRAME / BASE
Die-cast aluminum base 700mm polished or painted black or white, with feet

UPHOLSTERY
Categories B01-C05 (see "FINISHING COLLECTION" folder)

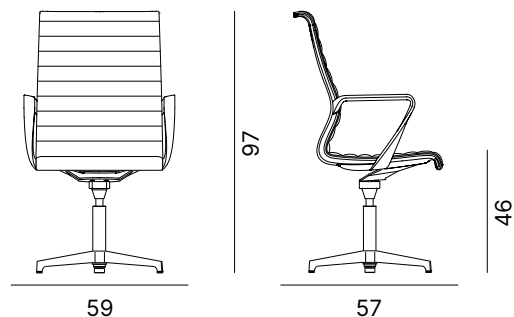
SIZE

Dimensions in millimeters

chair
L 590 H 970 D 570

seat
L 490 H 460 D 440

backrest
L 460 H 540



WEIGHT

Net weight a chair: 17 Kg
Gross weight a chair: 19 Kg

PACKAGING

1 x package
L 810 H 470 D 640

VOLUME

M3 package: 0,26