
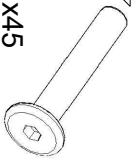



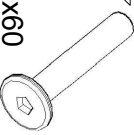


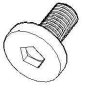





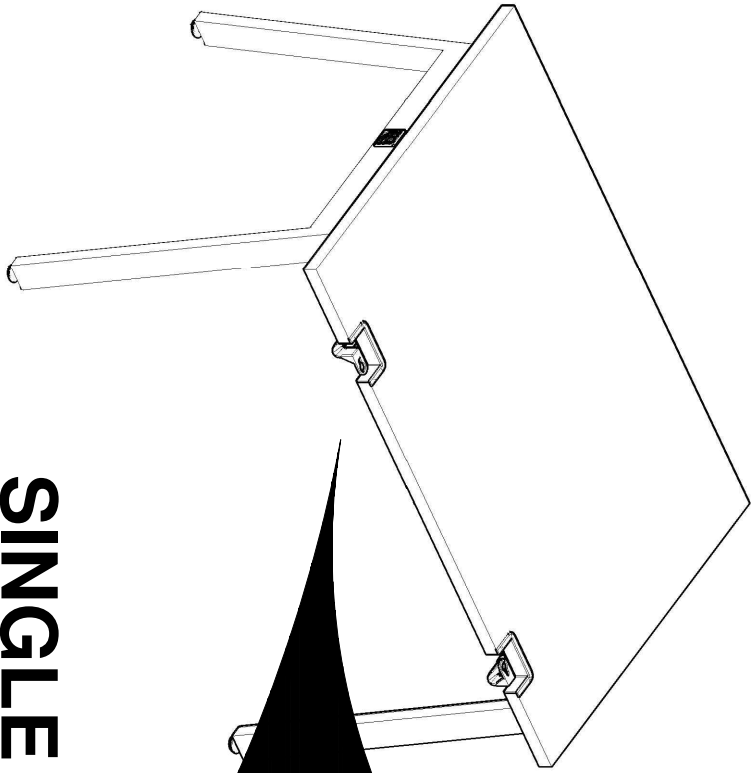
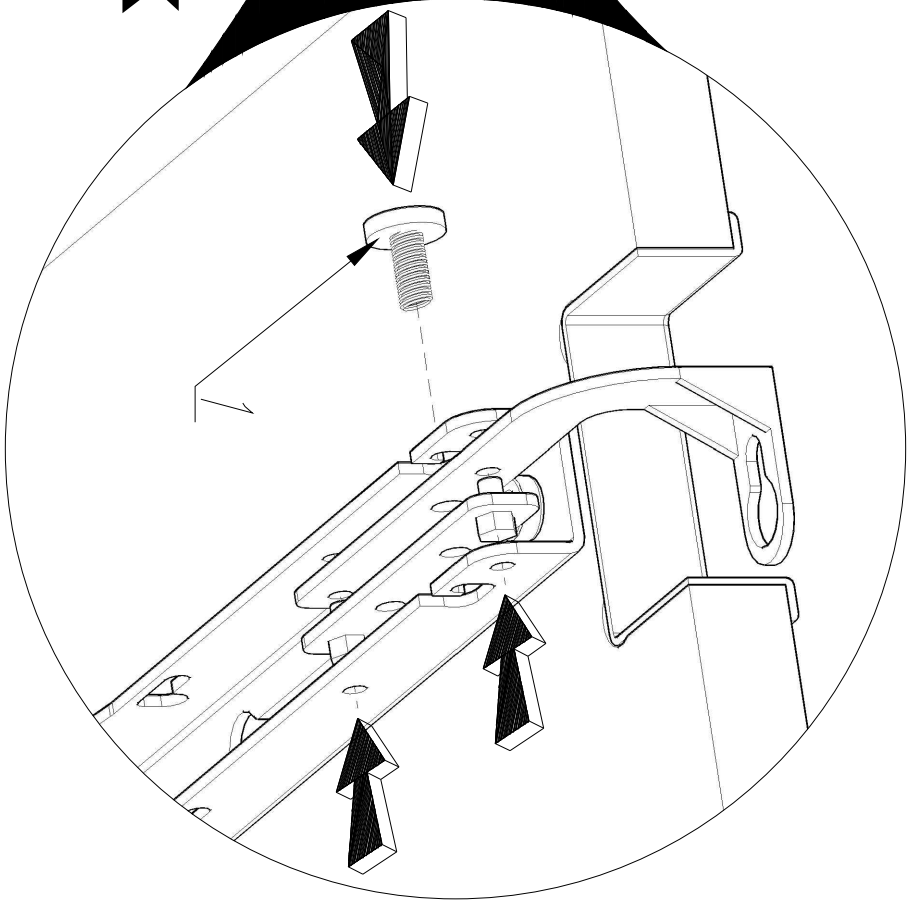


1		M8x20	2		M8x45	3		M8x30	4		M8x35	5		M8	6		M8x60	7		Ø5x17	 YAN
8		M6x16	9		M6x14	10		Ø5x20	11		Ø5x25	12		M5	13		M5x12				

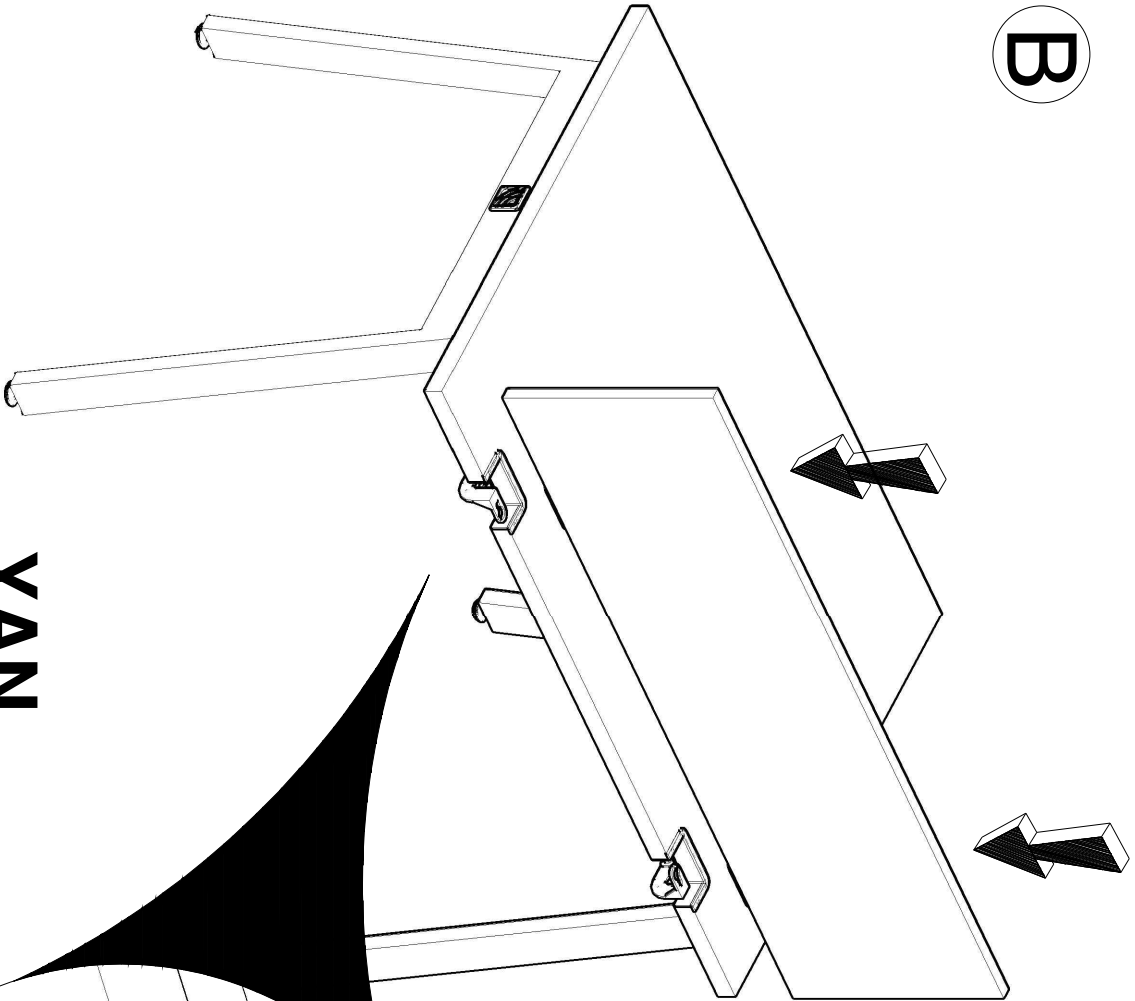
A



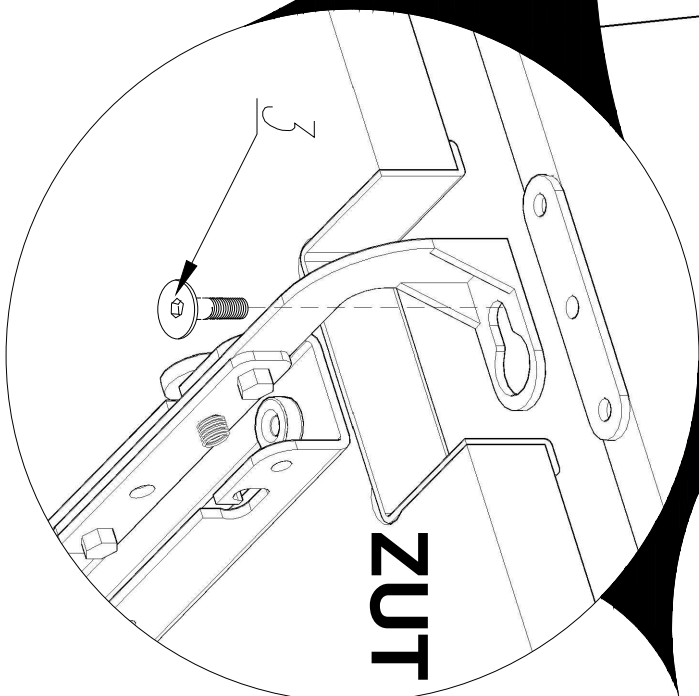
SINGLE DESK



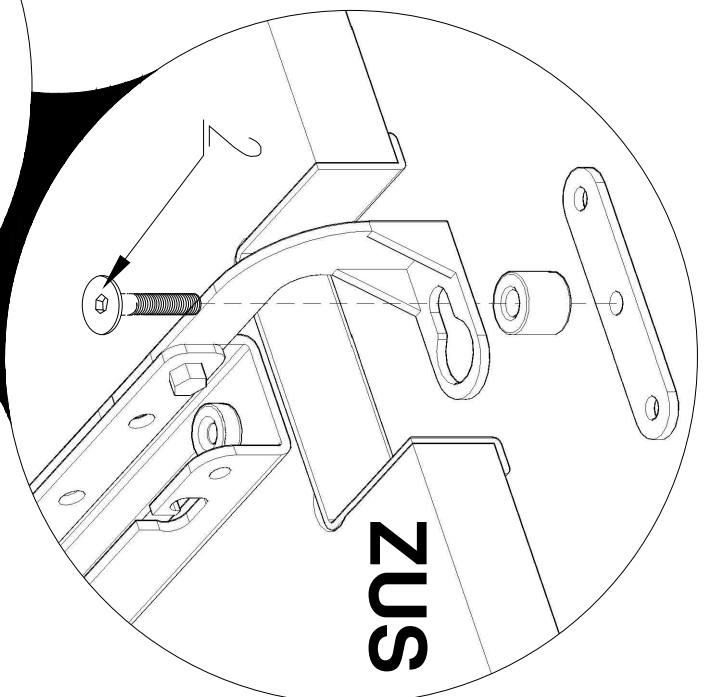
B



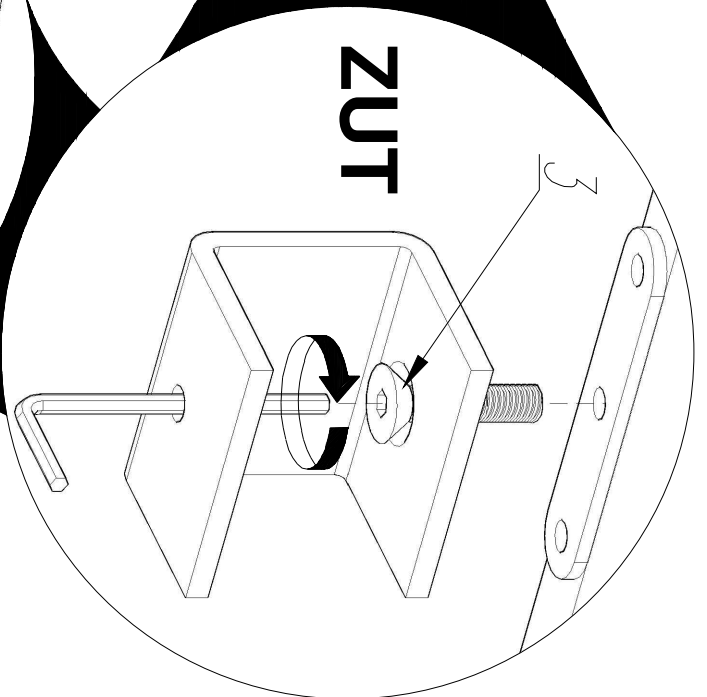
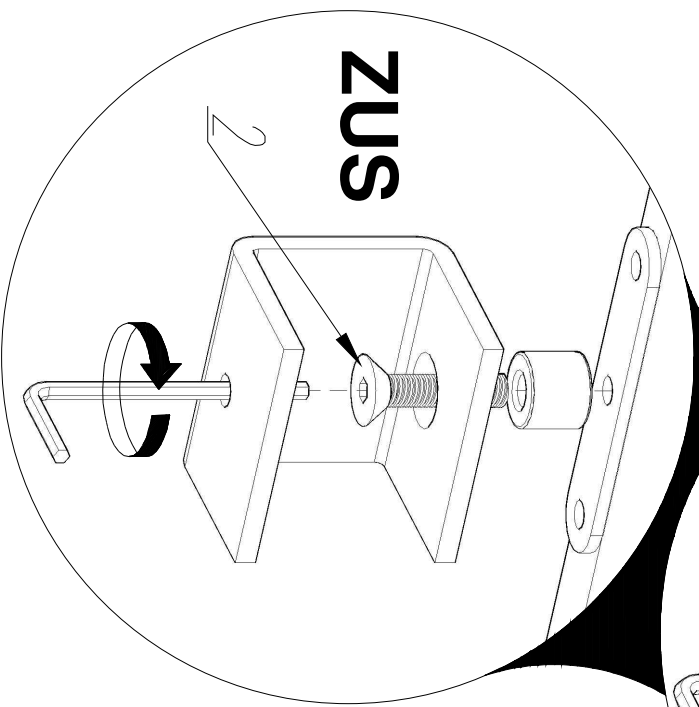
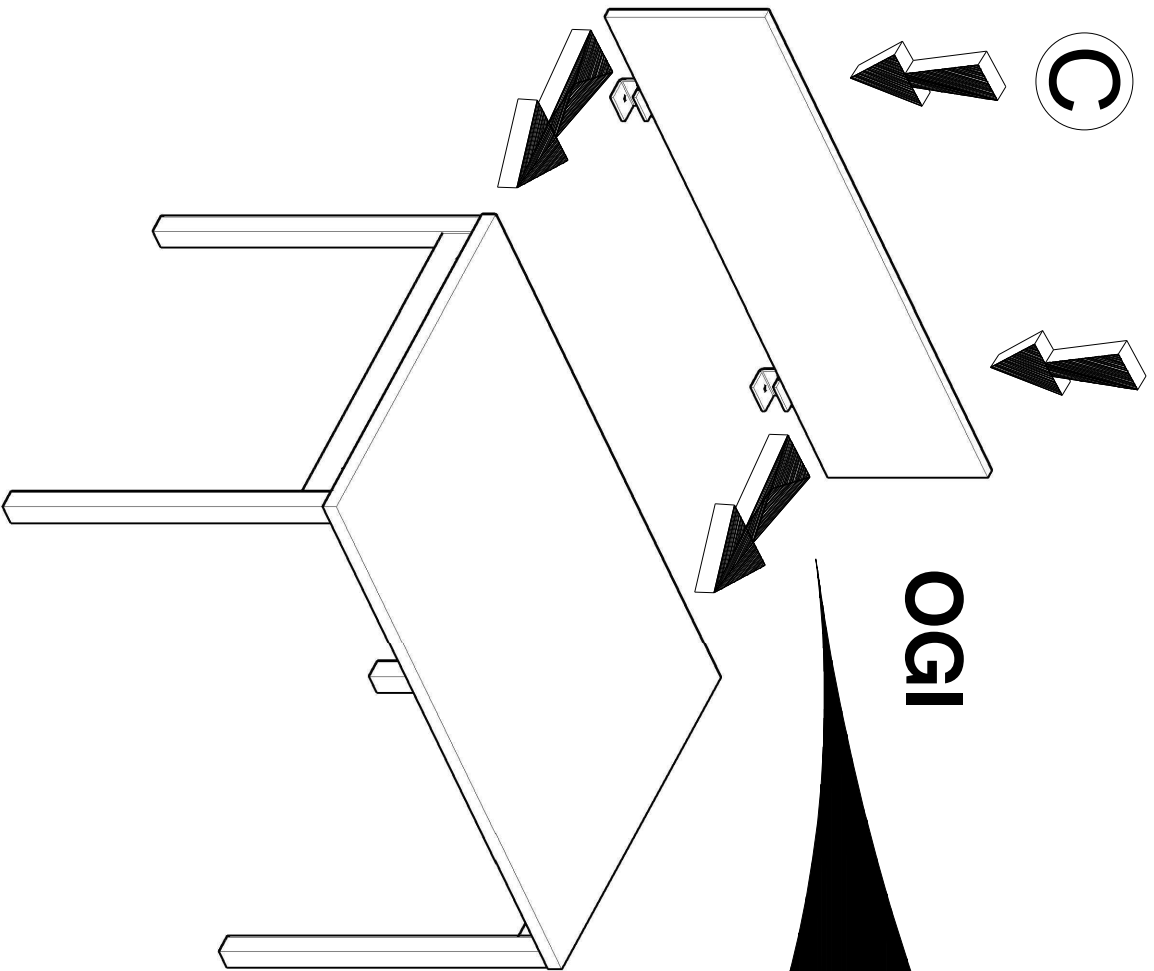
YAN



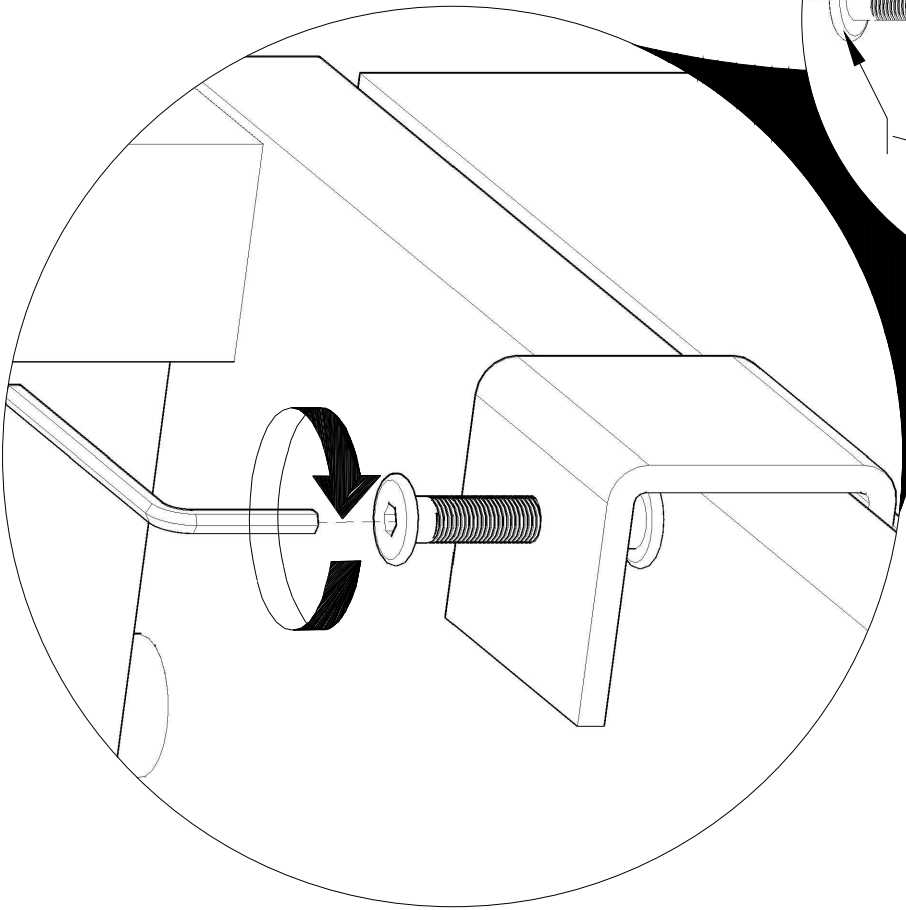
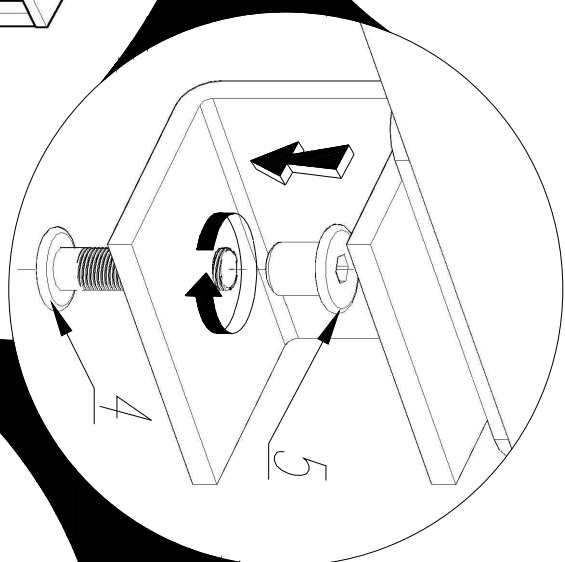
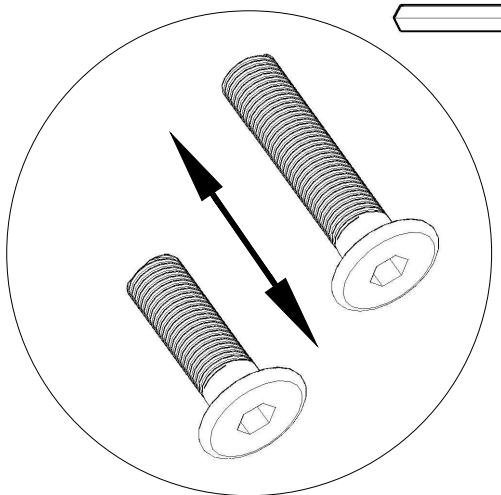
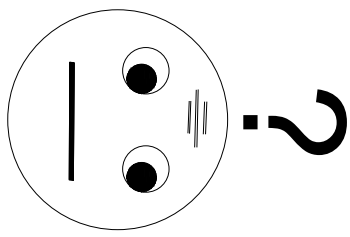
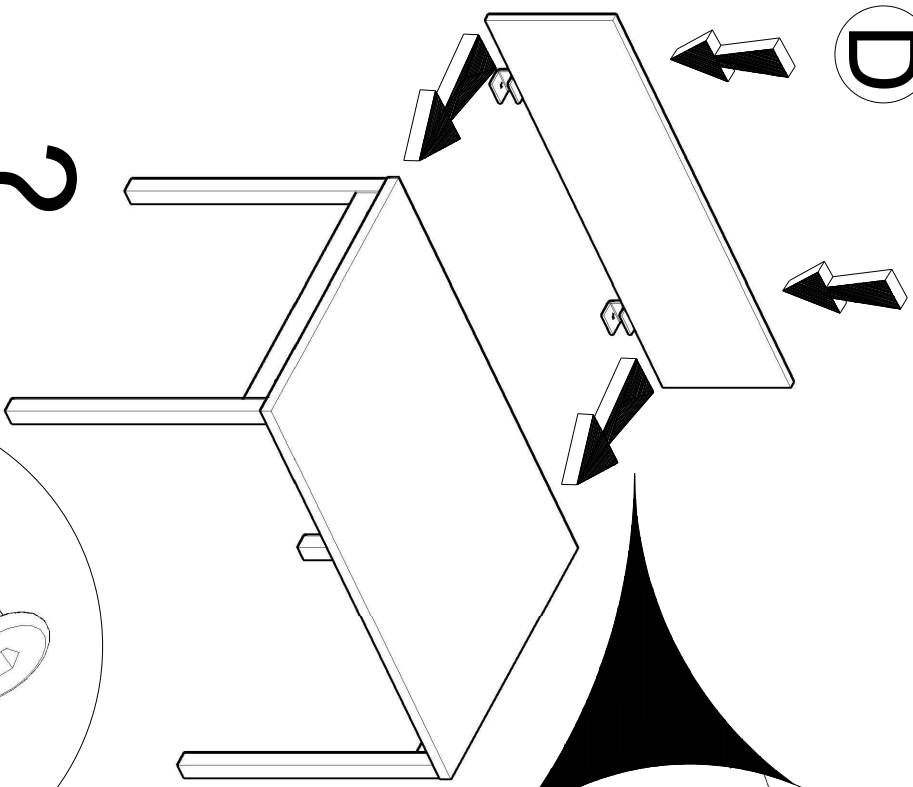
ZUT



ZUS

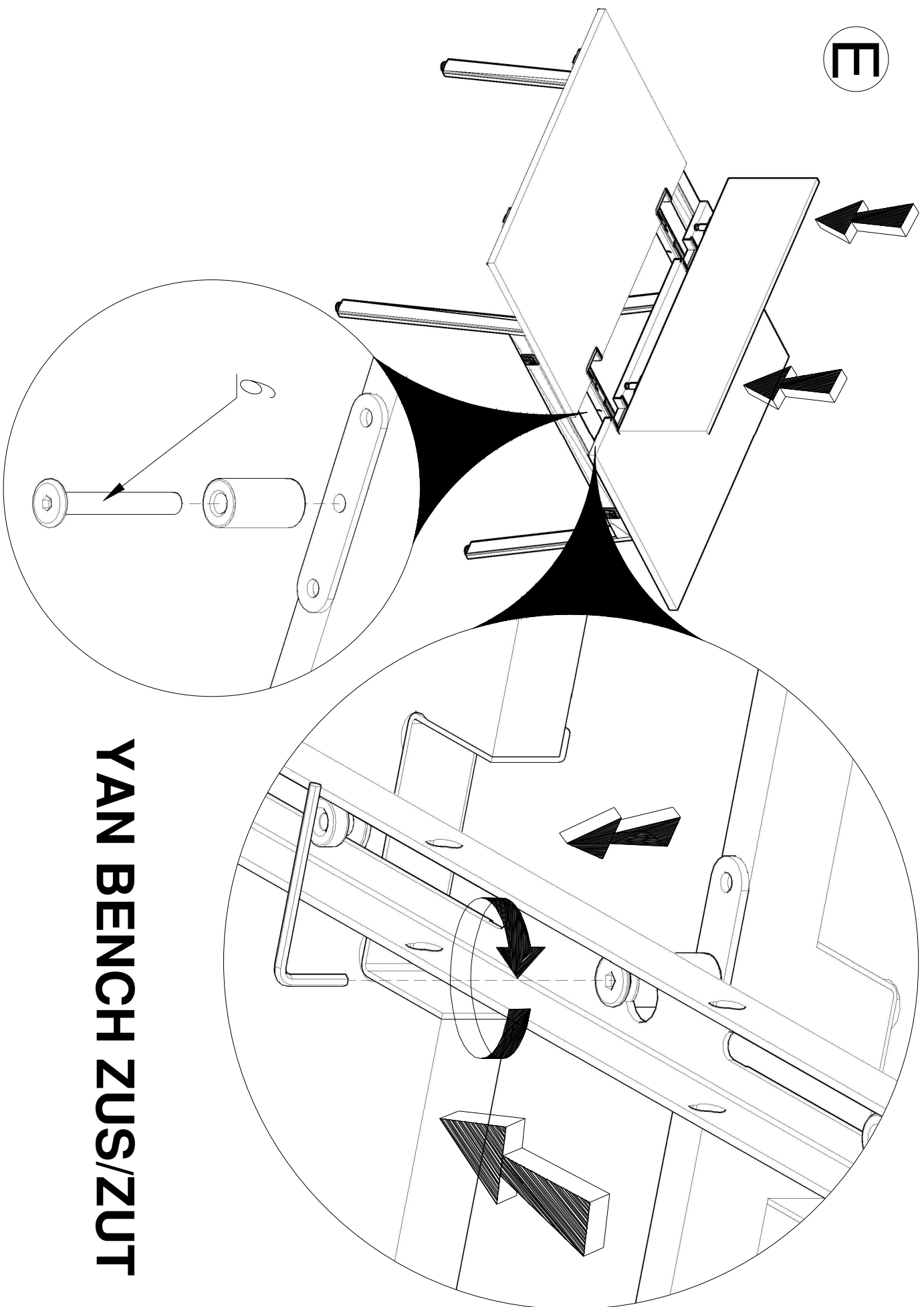


D



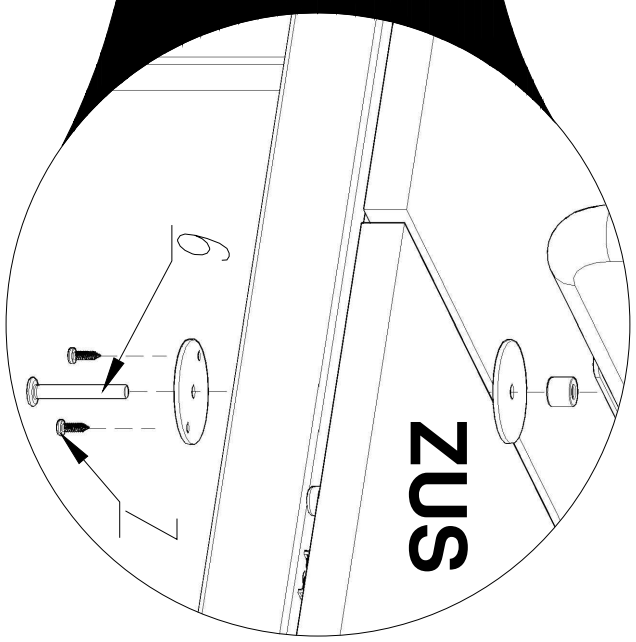
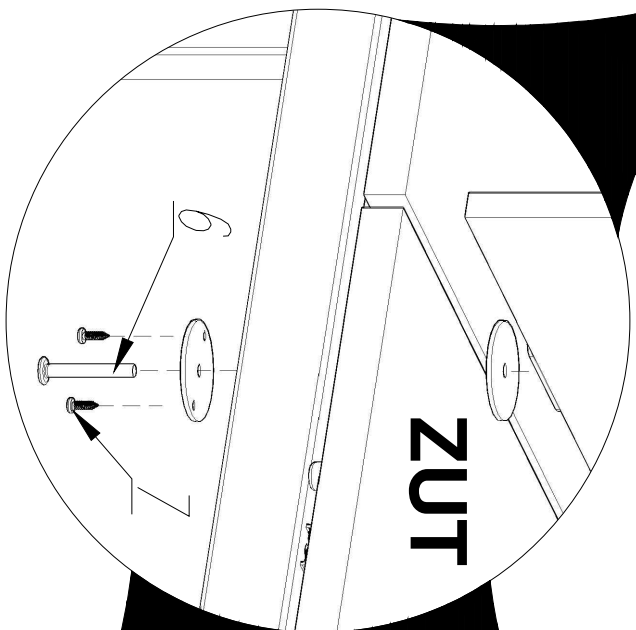
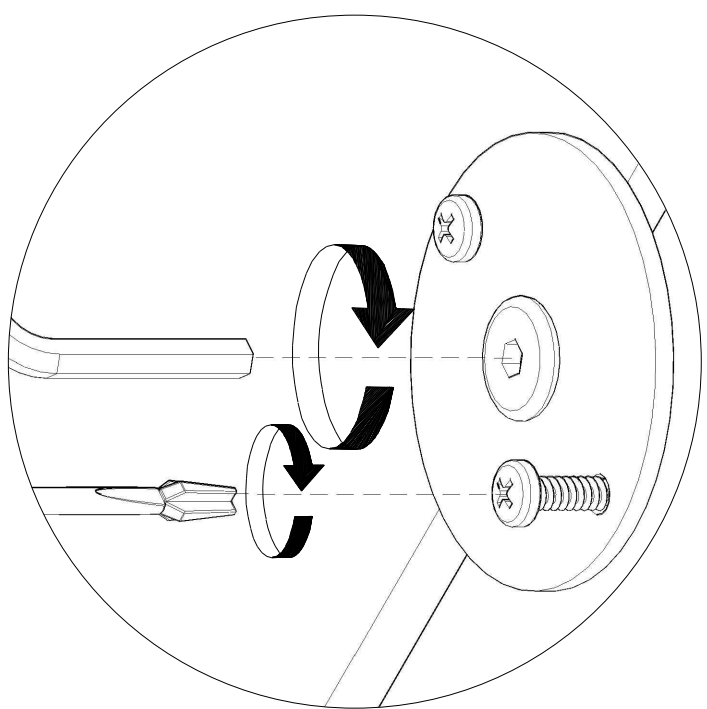
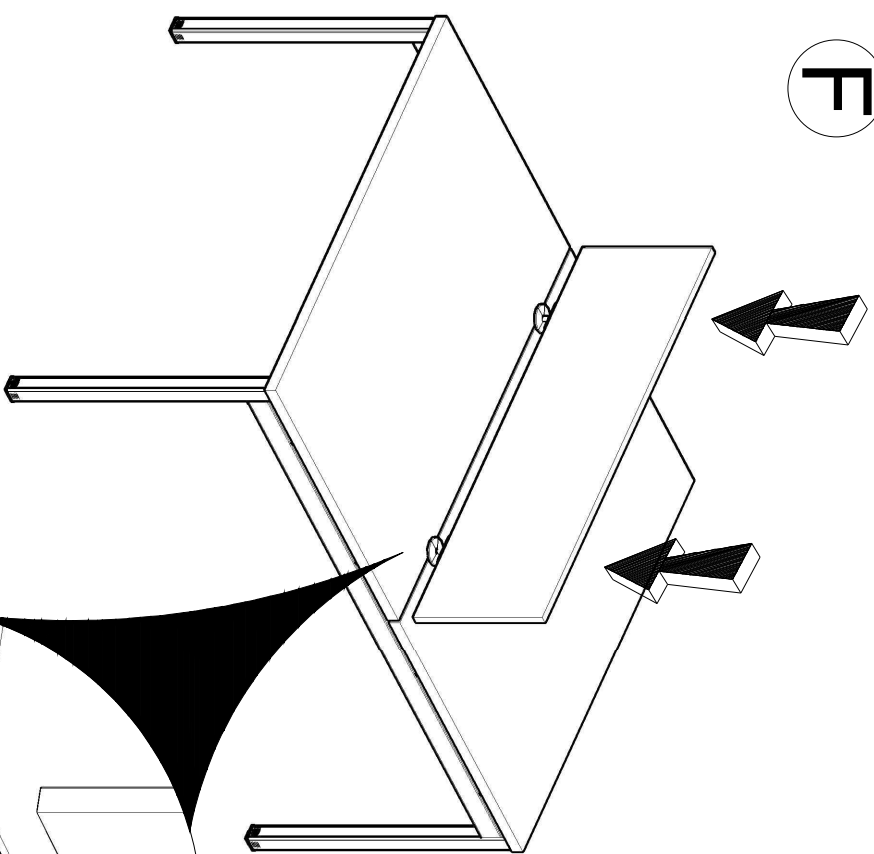
OGI

③



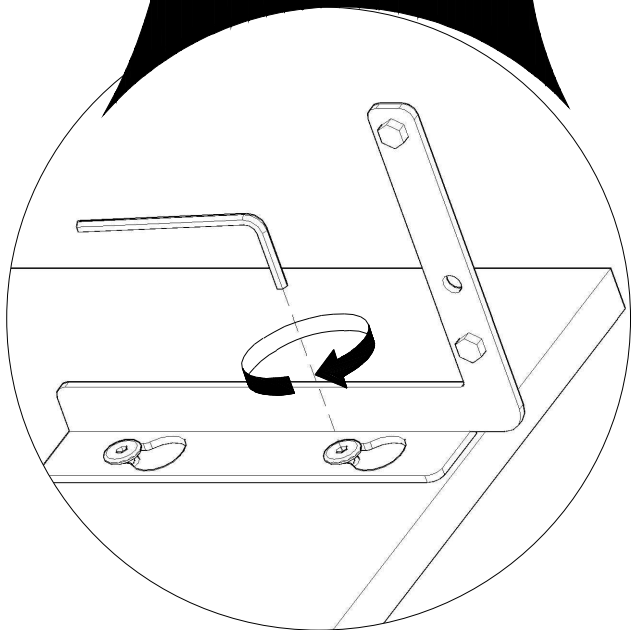
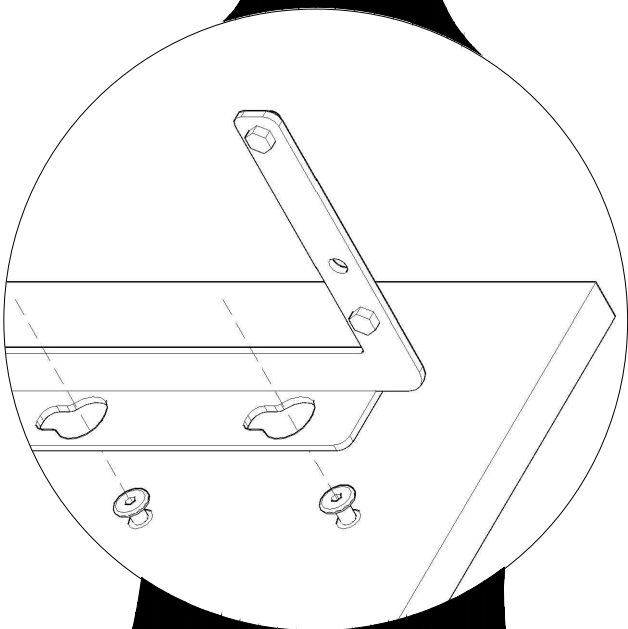
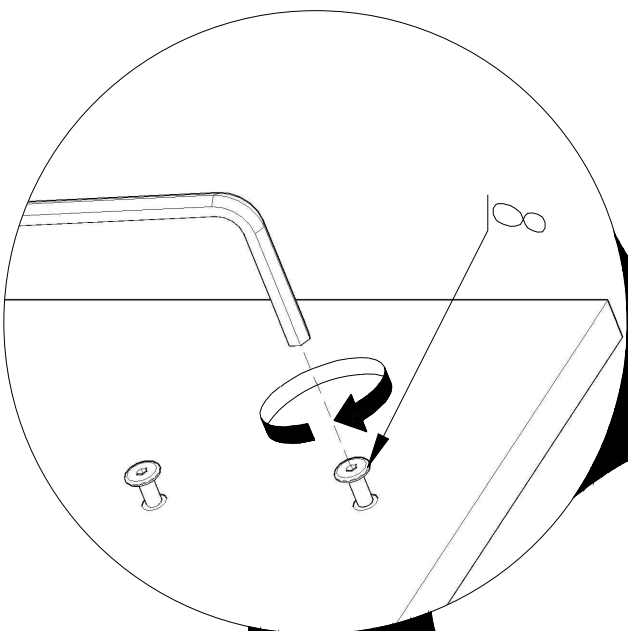
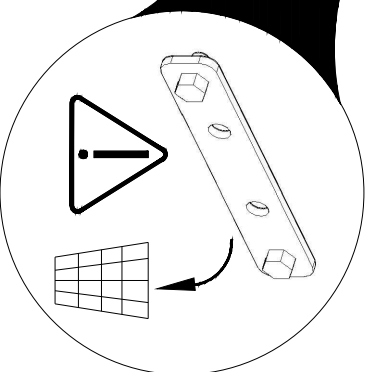
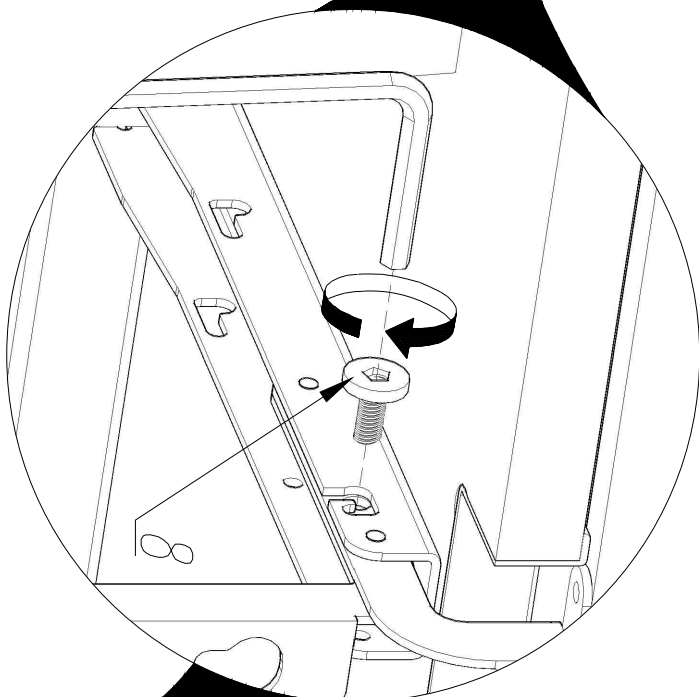
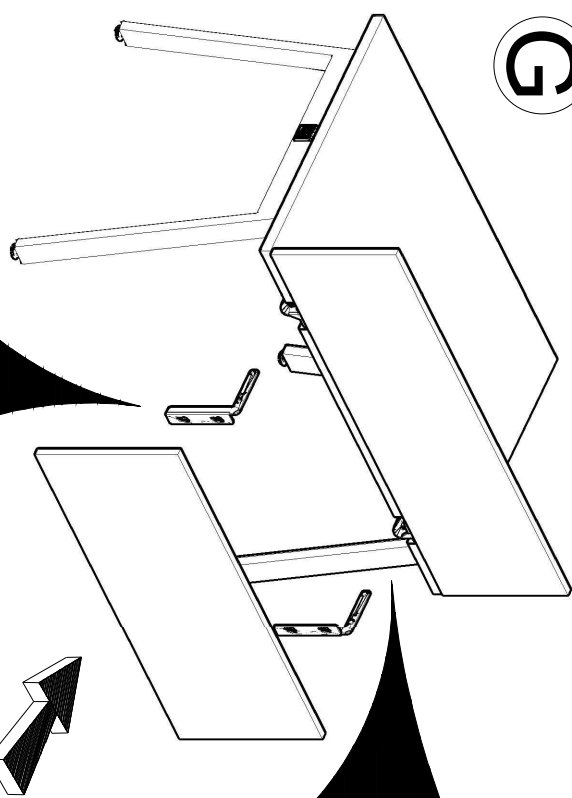
YAN BENCH ZUS/ZUT

F



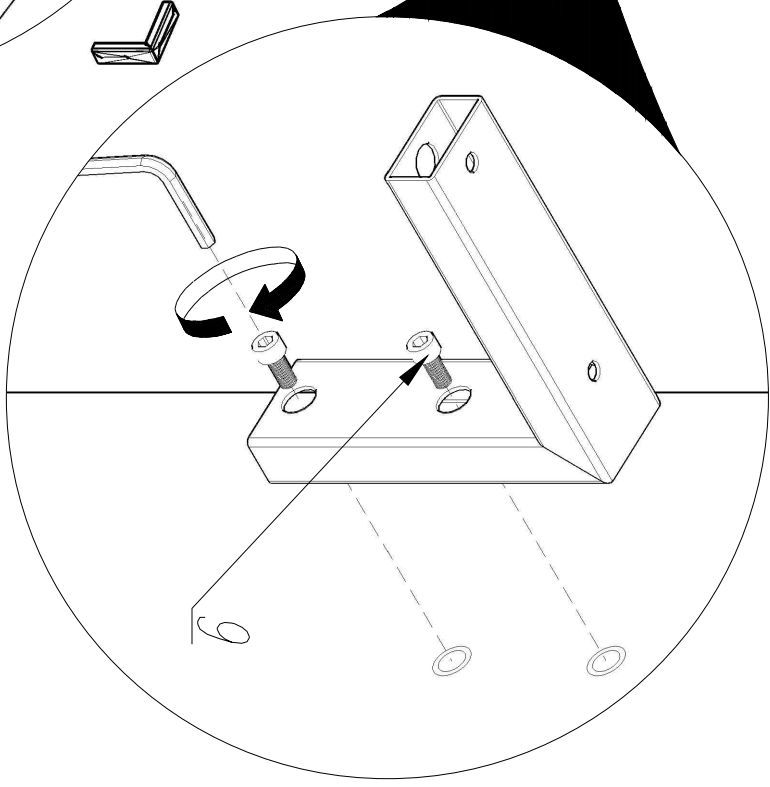
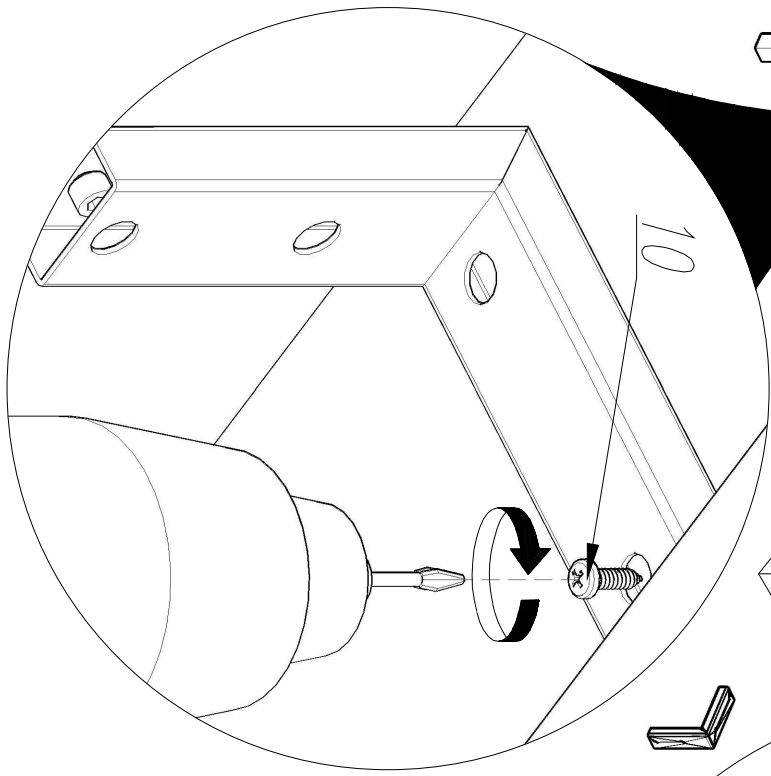
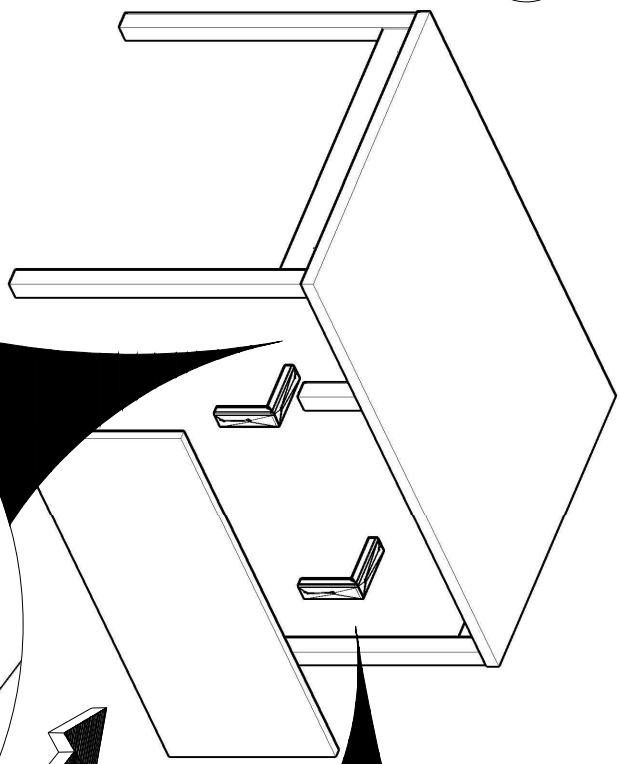
OGI BENCH

G



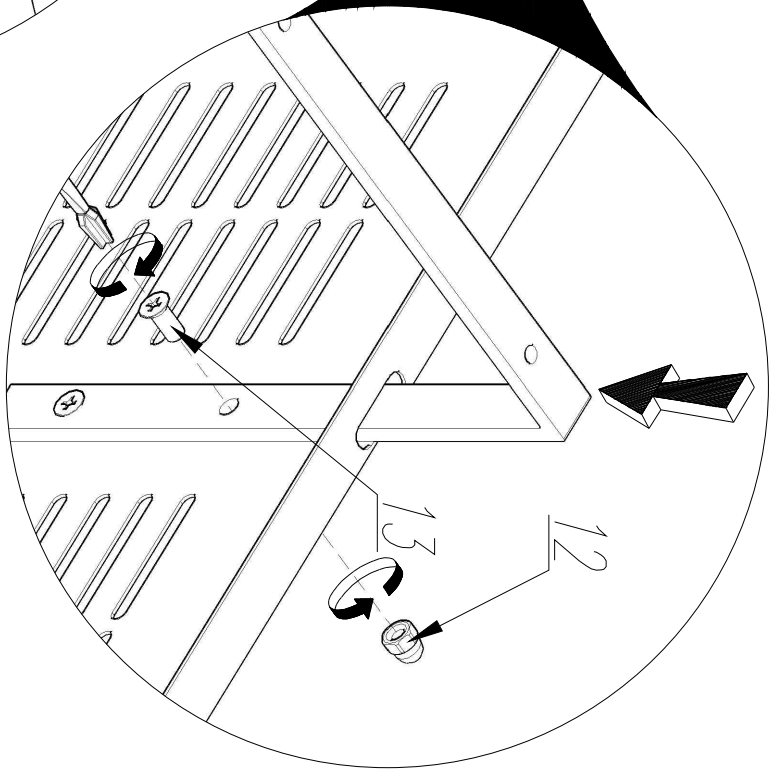
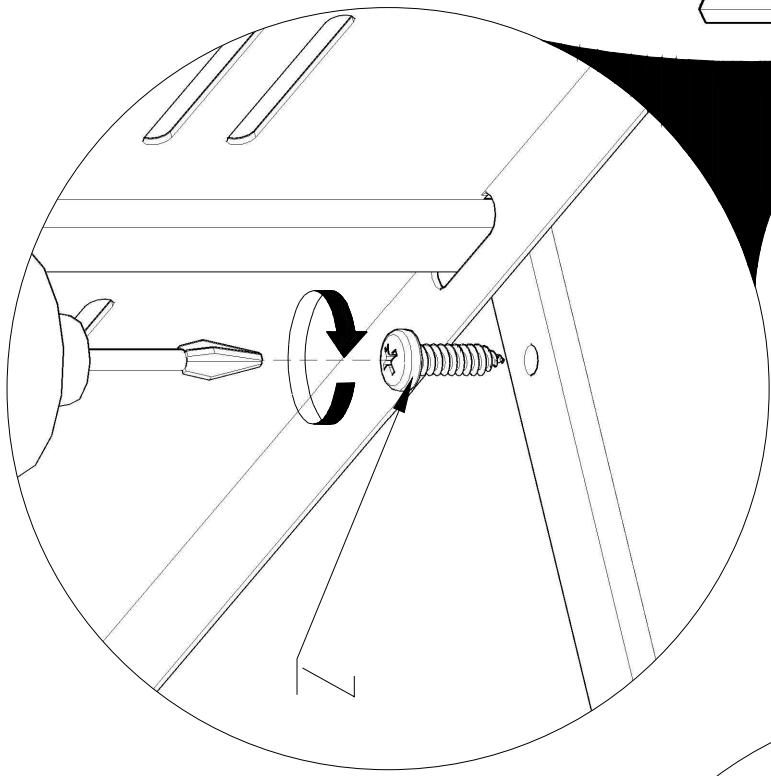
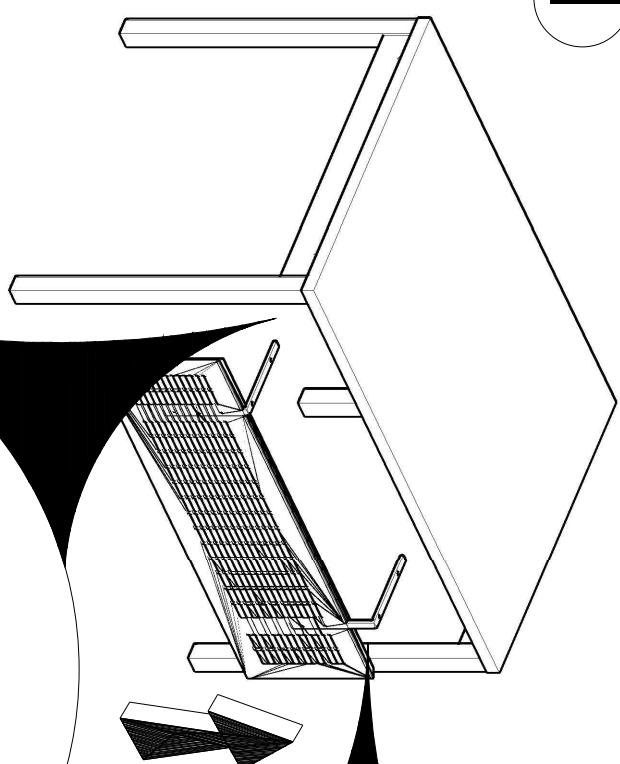
YAN UM

H



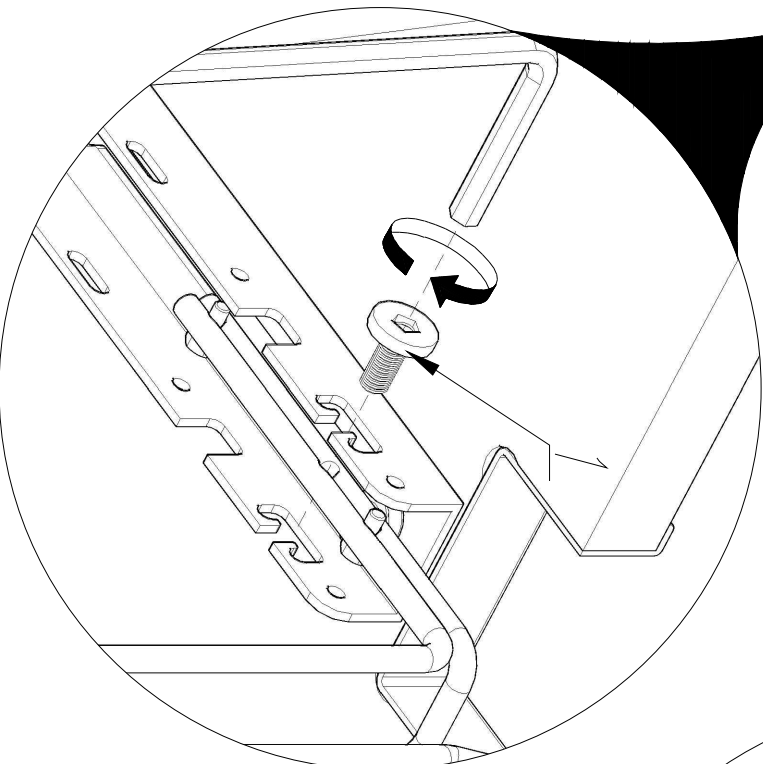
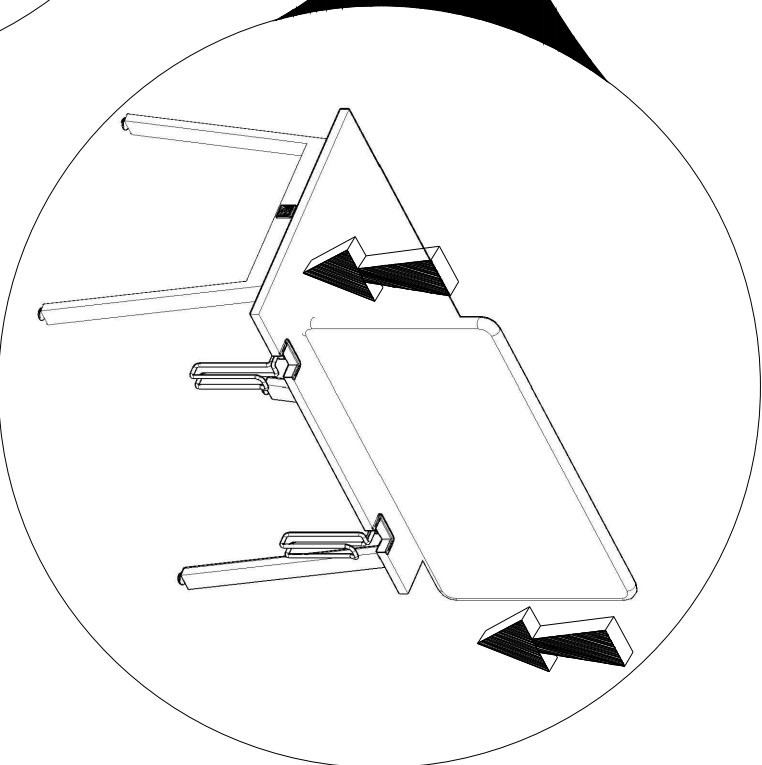
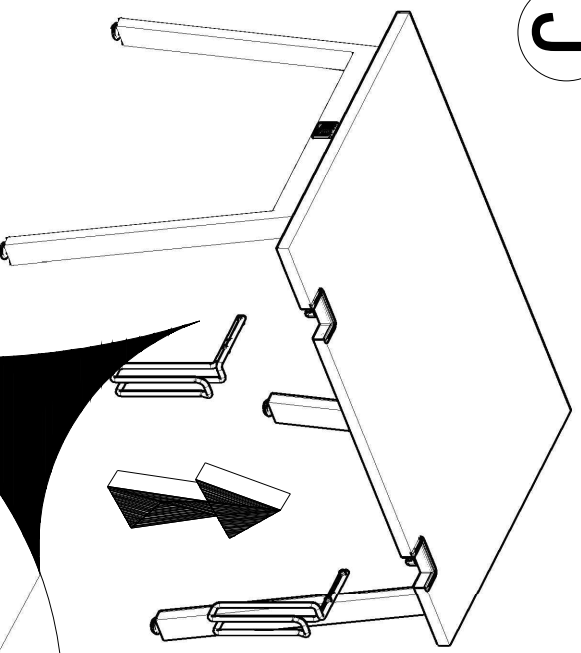
OGI UM

1



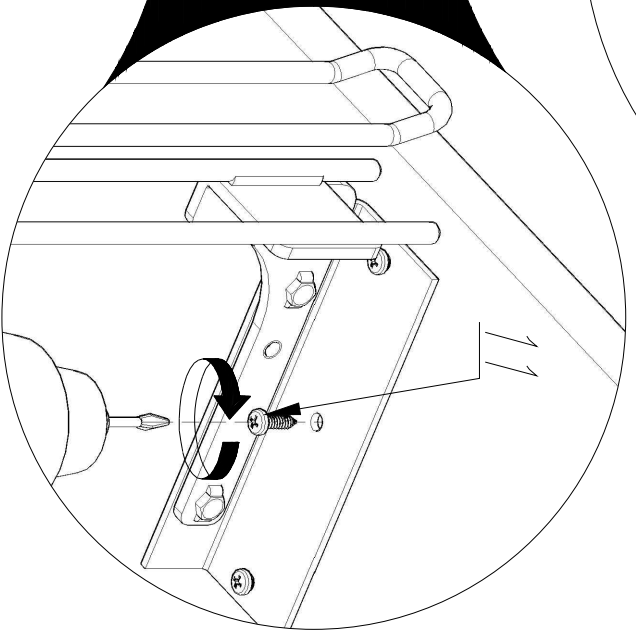
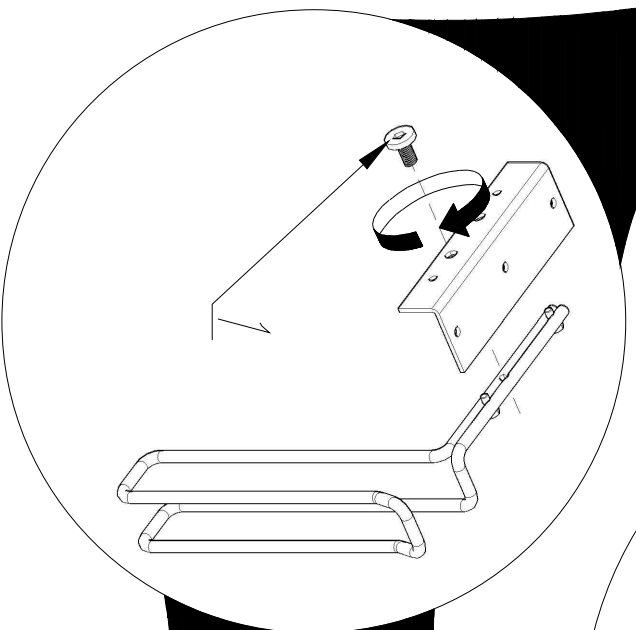
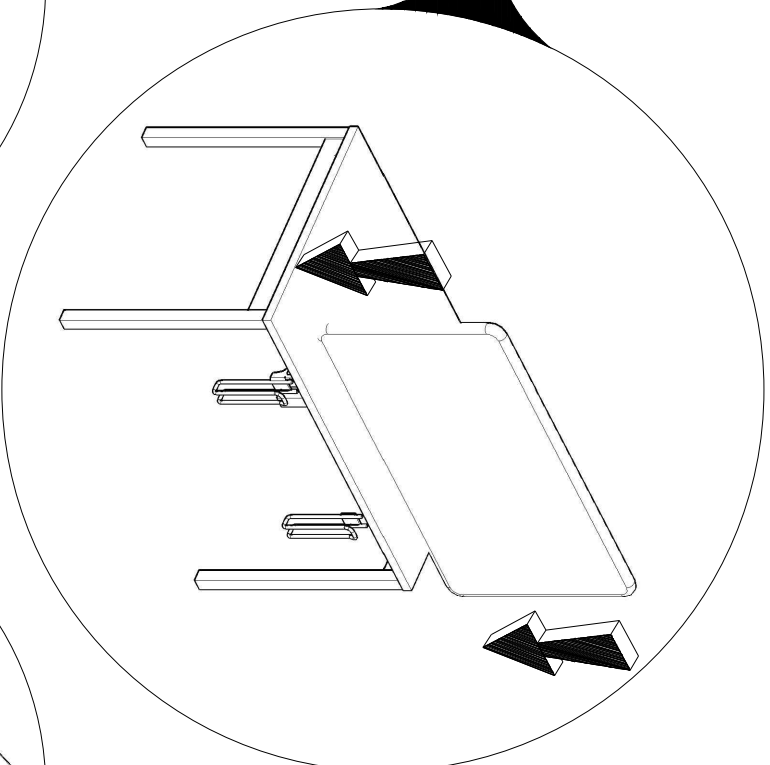
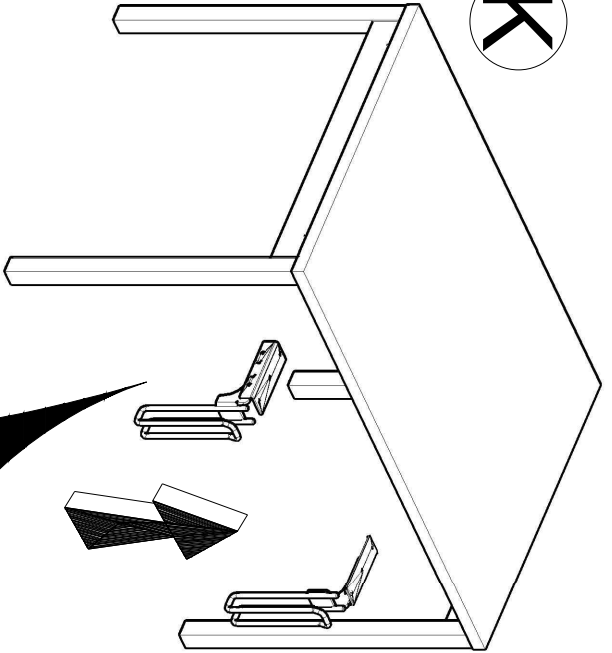
OGI UR

10



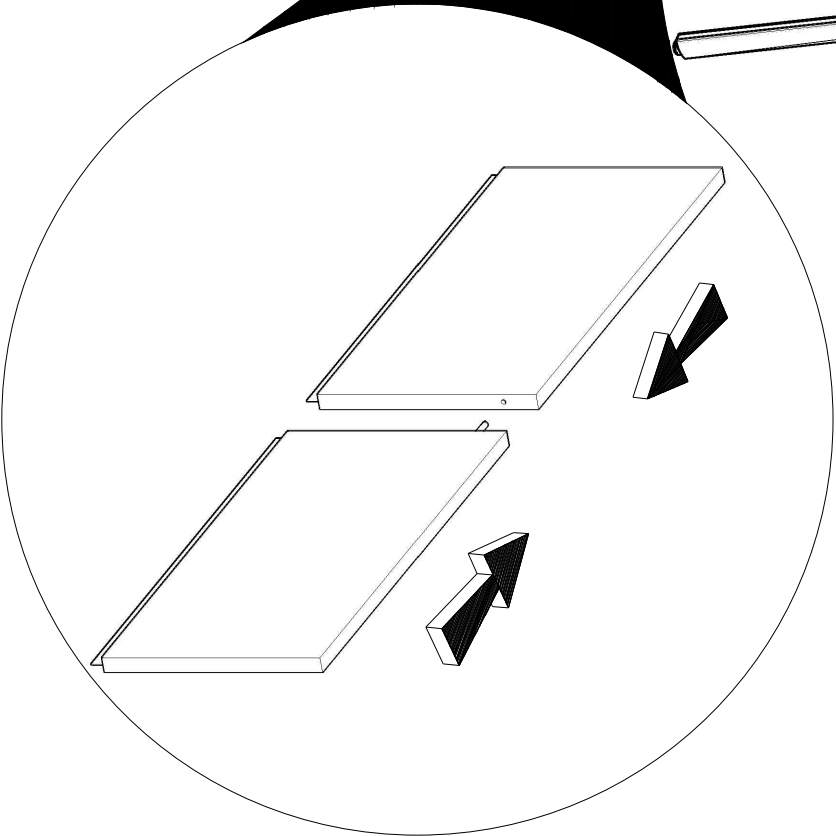
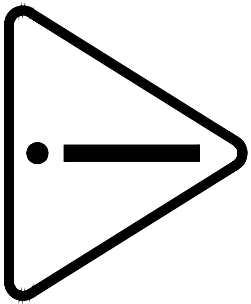
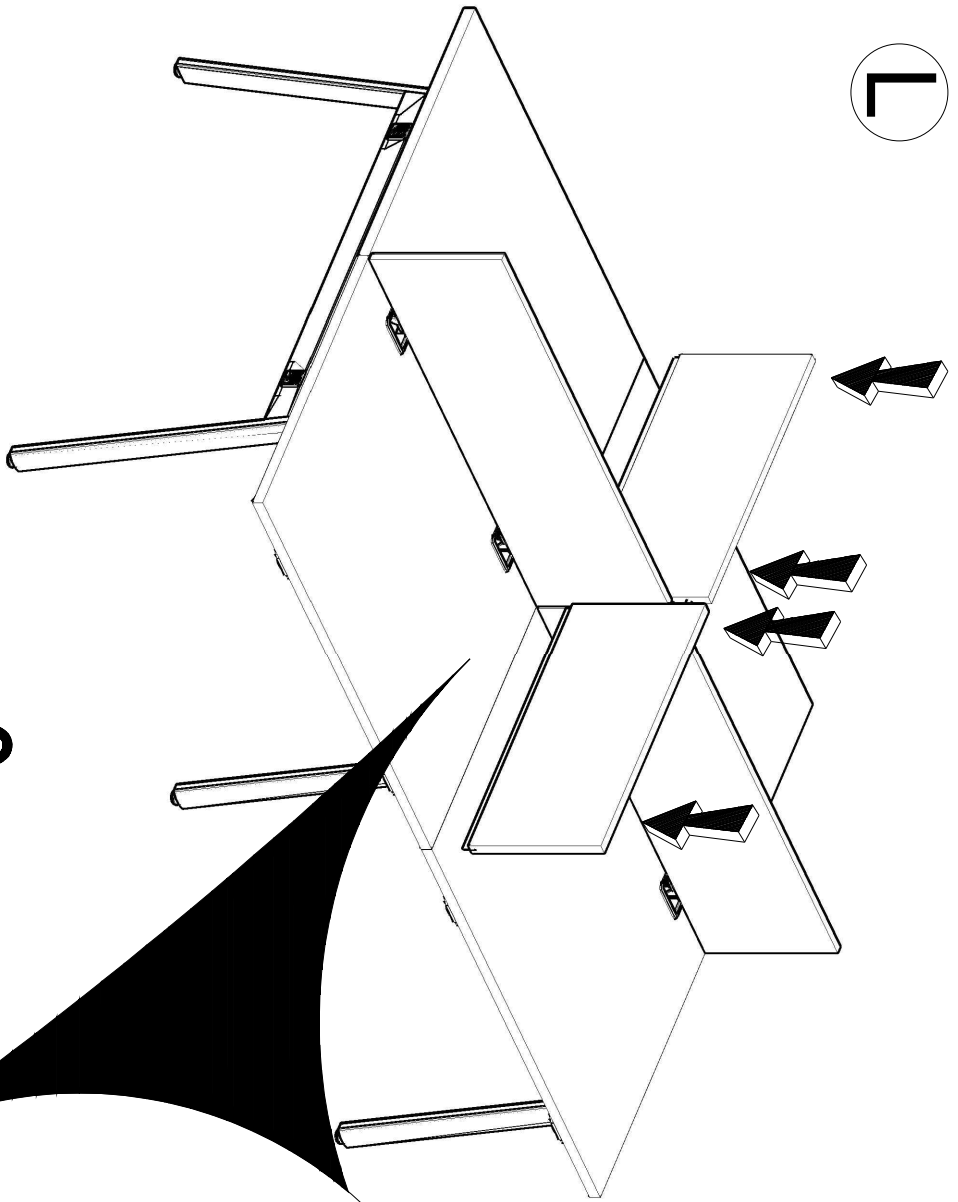
YAN ZPS

K



OGI ZPS

7

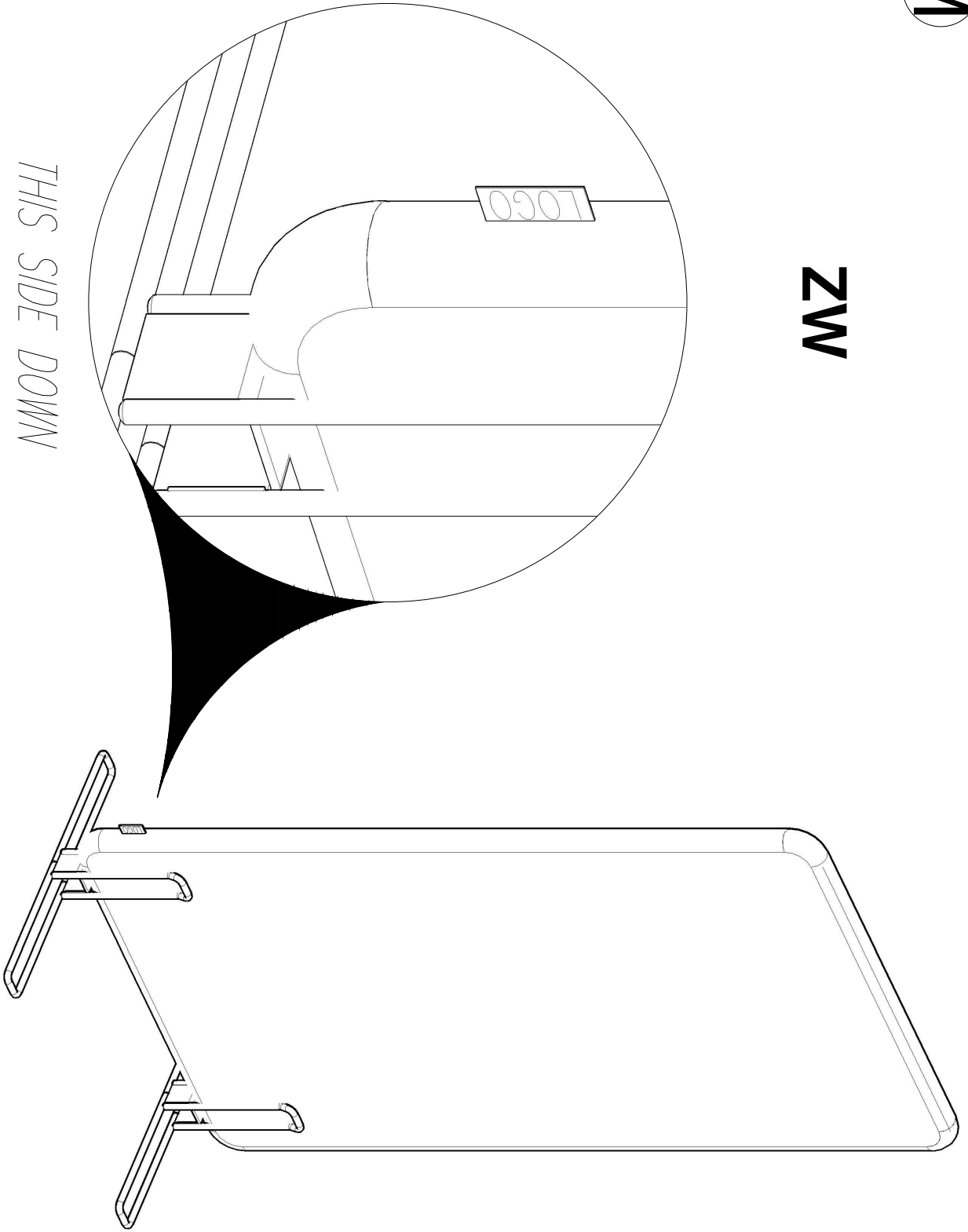


ZYT
ZYS



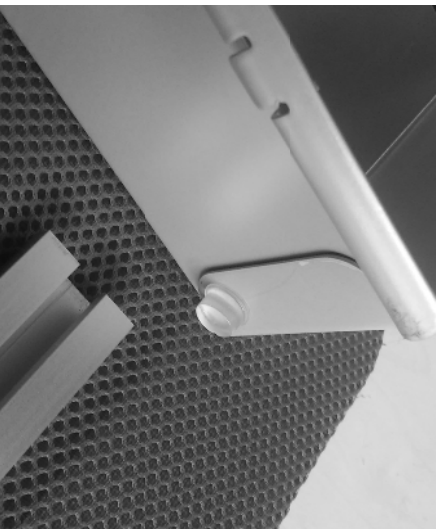
ZW

THIS SIDE DOWN



Assembling instruction – TWIN panels

1. Stick two bumpers onto rear side of your accessories in lower corners



2. Hang your accessories on panel TWIN

