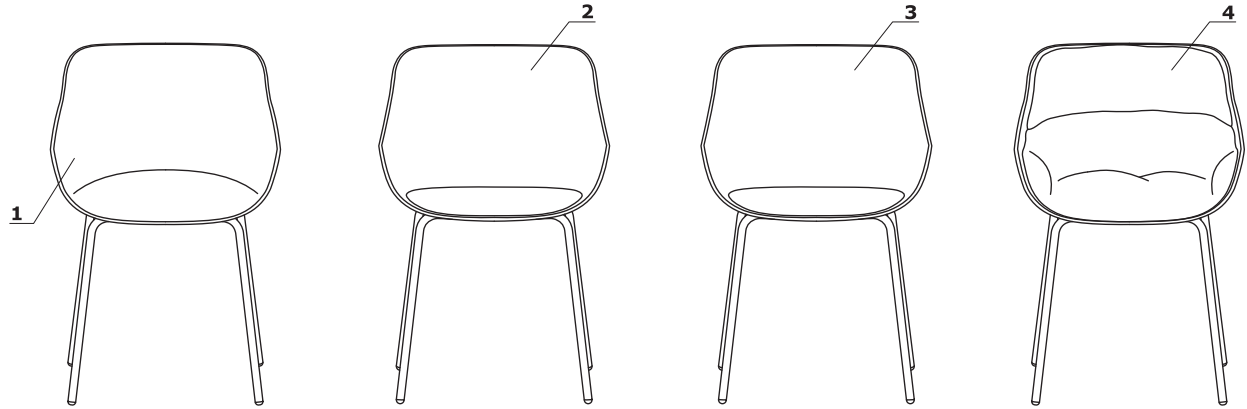


**Technical specification**

- 1 Baltic Basic** - seat polypropylene
- 2 Baltic Remix** - seat polypropylene + cushion - moulded foam, flame retardant, density of 50 kg/m<sup>3</sup>, upholstered
- 3 Baltic Classic** - seat upholstered + cushion - moulded foam, flame retardant, density of 79 kg/m<sup>3</sup>, upholstered
- 4 Baltic Soft Duo** - seat upholstered + draped cushion - cut foam, density of 40 kg/m<sup>3</sup>, upholstered



- max. load 120 kg

**Writing tablet**

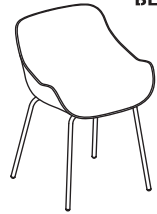
**OPTION WITH EXTRA CHARGE** - Writing tablet - plywood varnished; tablet + metal bracket arm - always in the same colour as the base



## Bases

"

- BL1P1/ BL3P1/ BL4P1/ BL5P1:**
- 4 - legged, metal, powder coated
  - legs made of tube Ø18 mm
  - polypropylene feet



**BL1P1  
BL3P1  
BL4P1  
BL5P1**

"

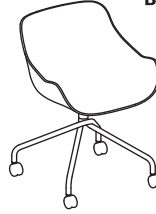
- BL1P13/ BL3P13/ BL4P13/  
BL5P13:**
- 4 - star, metal, powder coated
  - swivel seat - 360°
  - legs made of tube Ø22 mm
  - polypropylene feet



**BL1P13  
BL3P13  
BL4P13  
BL5P13**

"

- BL1P13K/ BL3P13K/ BL4P13K/  
BL5P13K:**
- 4 - star, metal, powder coated
  - swivel seat - 360°
  - legs made of tube Ø22 mm
  - castors for soft floors
  - OPTION WITH EXTRA CHARGE - castors for hard floors



**BL1P13K  
BL3P13K  
BL4P13K  
BL5P13K**

"

- BL1P14/ BL3P14/ BL4P14/  
BL5P14:**
- 4 wooden legs, Ø35 mm
  - beechwood coated with transparent varnish



**BL1P14  
BL3P14  
BL4P14  
BL5P14**

"

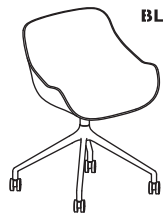
- BL1P19/ BL3P19/ BL4P19/  
BL5P19:**
- 4 - star, aluminum, powder coated
  - swivel seat - 360°
  - aluminium cast
  - legs finished with polypropylene feet
  - OPTION WITH EXTRA CHARGE - polished aluminium



**BL1P19  
BL3P19  
BL4P19  
BL5P19**

"

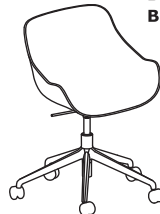
- BL1P22/ BL3P22/ BL4P22/  
BL5P22:**
- 4 - star, aluminum, powder coated
  - swivel seat - 360°
  - aluminium cast
  - castors for soft floors
  - OPTION WITH EXTRA CHARGE - castors for hard floors
  - OPTION WITH EXTRA CHARGE - polished aluminium



**BL1P19K  
BL3P19K  
BL4P19K  
BL5P19K**

"

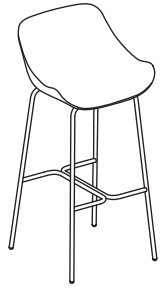
- BL1P22/ BL3P22/ BL4P22/  
BL5P22:**
- 5 - star, aluminum, Ø=630 mm, h=360 mm, powder coated
  - swivel seat - 360°
  - tilt mechanism with a lock
  - gas spring, steel, colour: black, adjustment range 120 mm (450 - 570 mm)
  - castors for soft floors
  - OPTION WITH EXTRA CHARGE - castors for hard floors



**BL1P22  
BL3P22  
BL4P22  
BL5P22**

Bases

- "
- BL1P4H/ BL5P4H:**
- yxy1t+, }
  - wr.~ v1~ ruv1, w# sv10 BI 1~ ~ =i\$ r}}
  - tyzt| €vtt1C1~ ~ =if, Š uv..it, r tvu
  - f, }€f...f€v€v1wv†



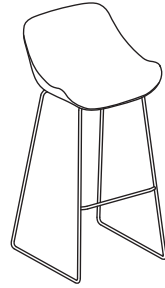
**BL1P4H  
BL5P4H**

- "
- BL1P5H/ BL5P5H:**
- yxy1t+, }
  - wr.~ v1~ ruv1, w# sv10 BI 1~ ~ =i\$ r}}
  - tyzt| €vtt1C1~ ~ =if, Š uv..it, r tvu
  - f, }€f...f€v€v1wv†



**BL1P5H  
BL5P5H**

- "
- BL1P24H/ BL5P24H:**
- yxy1t+, }
  - †| zu=- v†r}
  - 0 BC1~ ~ 1\$ z.vu1}vx†=if, Š uv..it, r tvu
  - jvx†1\$ zyx1x}zuv†



**BL1P24H  
BL5P24H**

- "
- BL1P23H/ BL5P23H:**
- yxy1t+, }
  - †| zu=- v†r}
  - 0 BC1~ ~ 1\$ z.vu1}vx†=if, Š uv..it, r tvu
  - jvx†1\$ zyx1x}zuv†



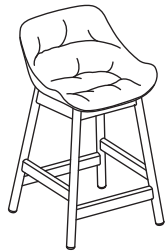
**BL1P23H  
BL5P23H**

- "
- BL5P27H:**
- yxy1t+, }
  - E1\$ , , uv€1}vx†=i0 DF1~ ~
  - svvtyŠ , , u1t, r tvu1\$ zyx1t.r.€tfr..v€† %€.€zty



**BL5P27H**

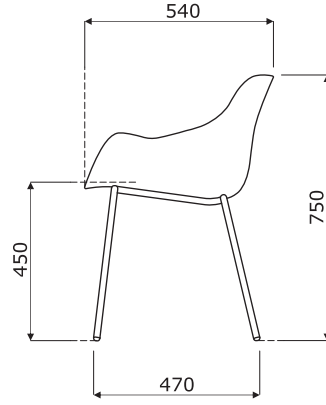
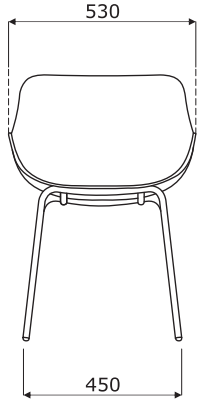
- "
- BL5P26H:**
- yxy1t+, }
  - E1\$ , , uv€1}vx†=i0 DF1~ ~
  - svvtyŠ , , u1t, r tvu1\$ zyx1t.r.€tfr..v€† %€.€zty



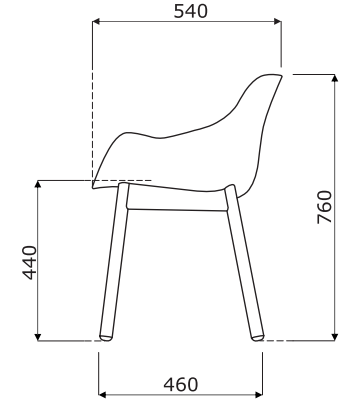
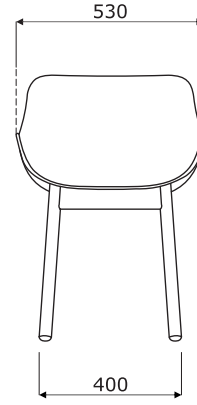
**BL5P26H**

Dimensions (mm)

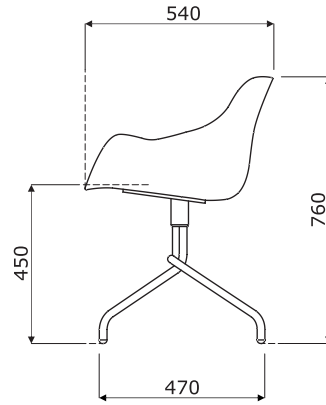
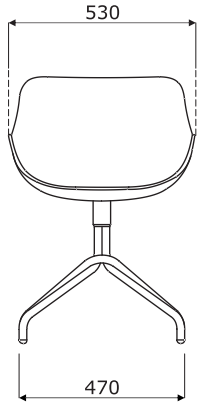
BL1P1  
BL3P1  
BL4P1  
BL5P1



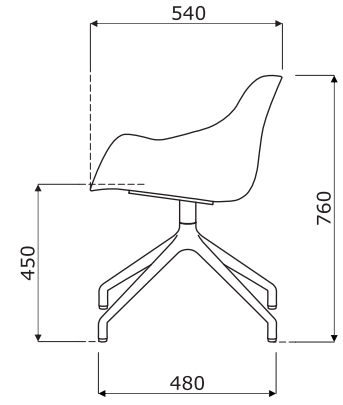
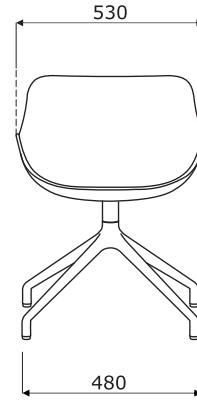
BL1P14  
BL3P14  
BL4P14  
BL5P14



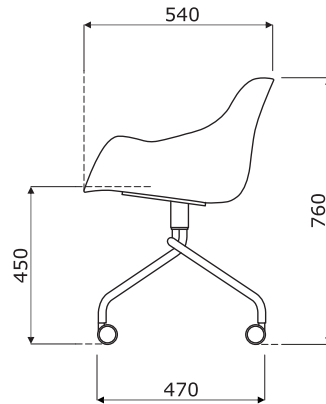
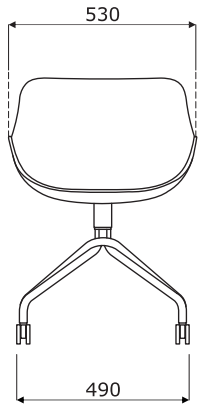
BL1P13  
BL3P13  
BL4P13  
BL5P13



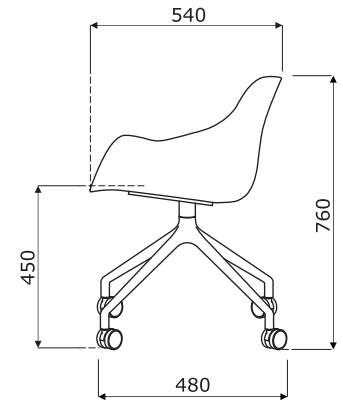
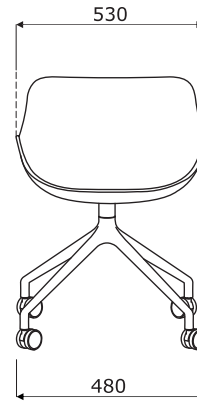
BL1P19  
BL3P19  
BL4P19  
BL5P19



BL1P13K  
BL3P13K  
BL4P13K  
BL5P13K

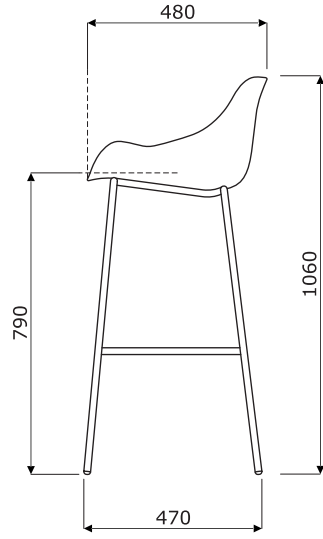
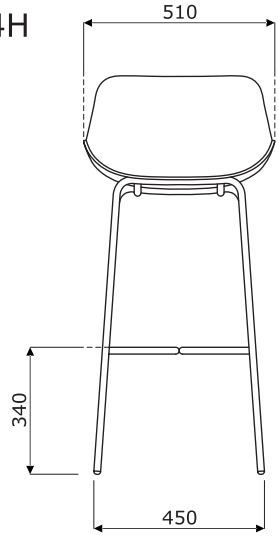


BL1P19K  
BL3P19K  
BL4P19K  
BL5P19K

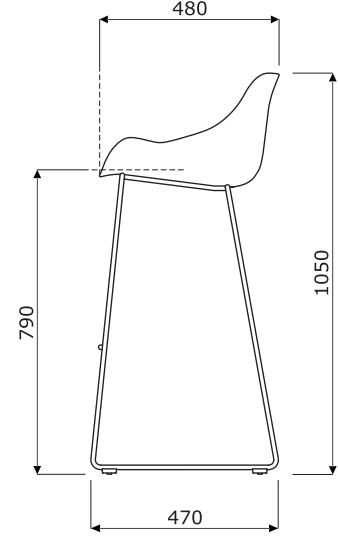
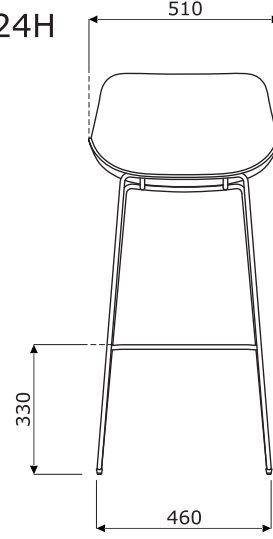


Dimensions (mm) - high stool

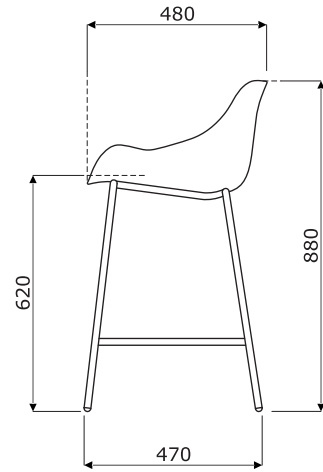
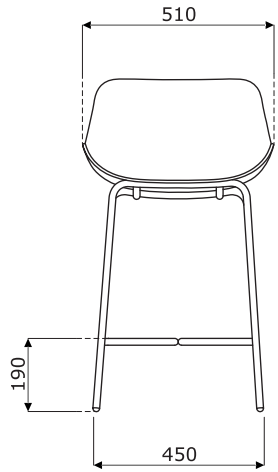
BL1P4H  
BL5P4H



BL1P24H  
BL5P24H



BL1P5H  
BL5P5H



BL1P23H  
BL5P23H

