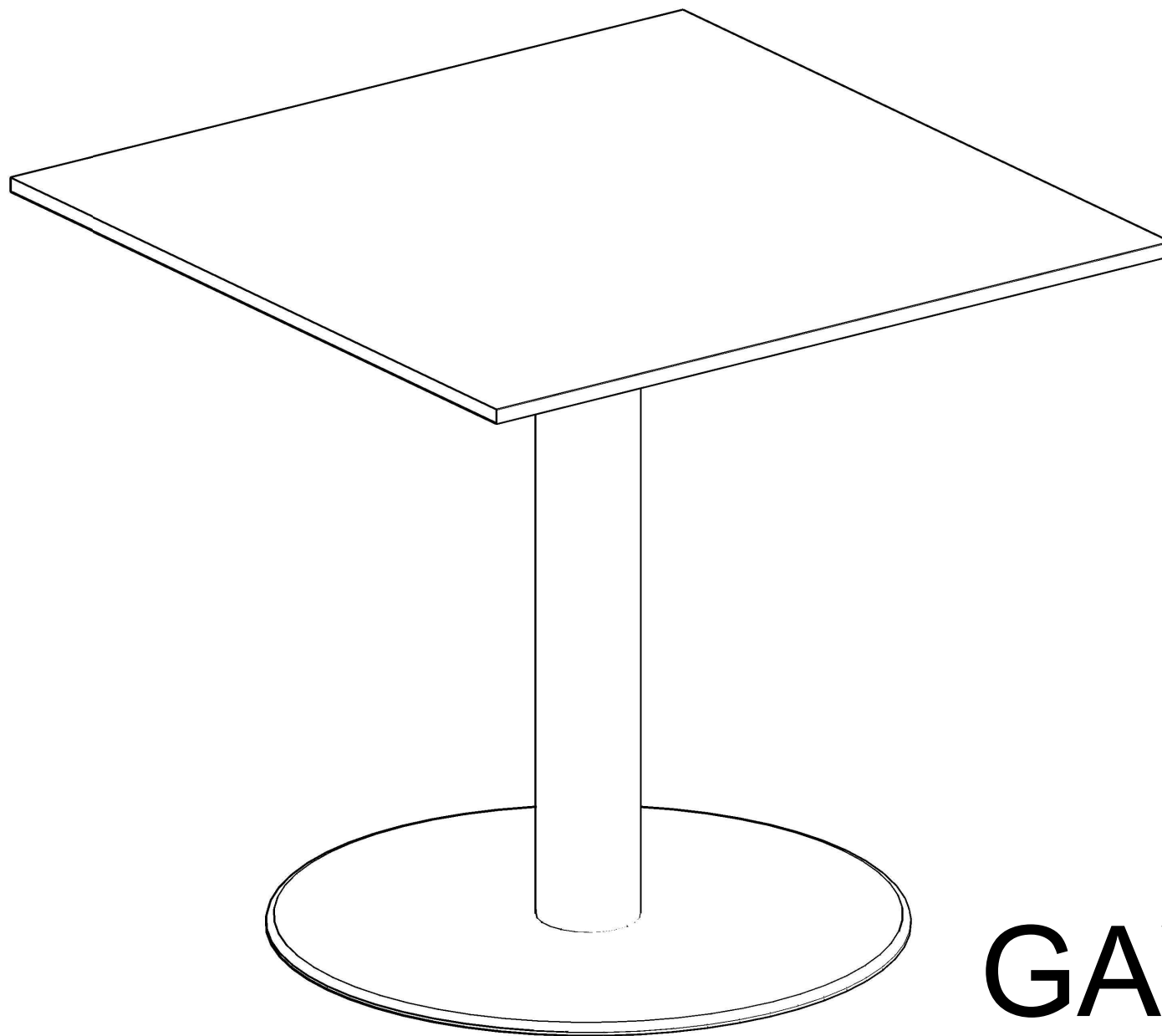
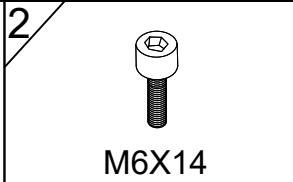
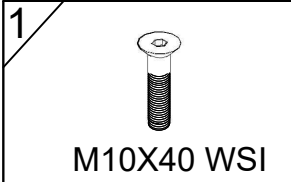


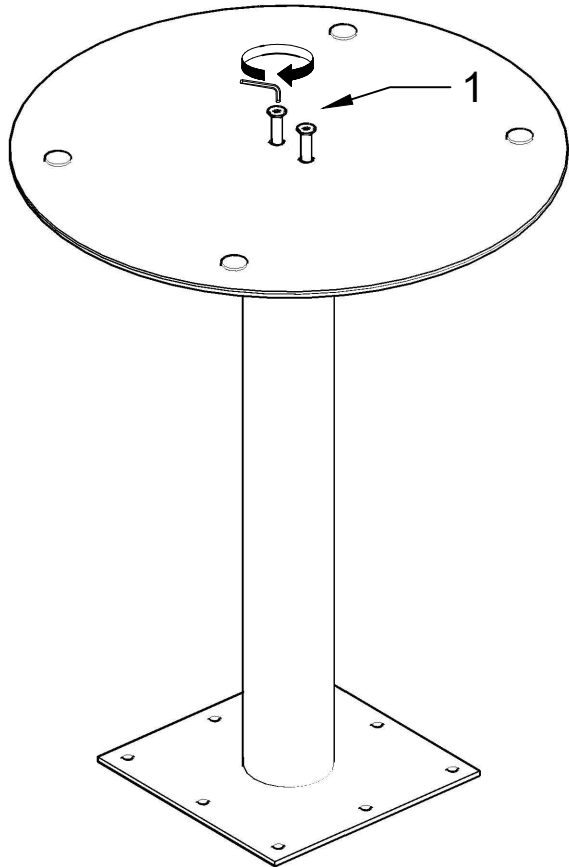
.mdd



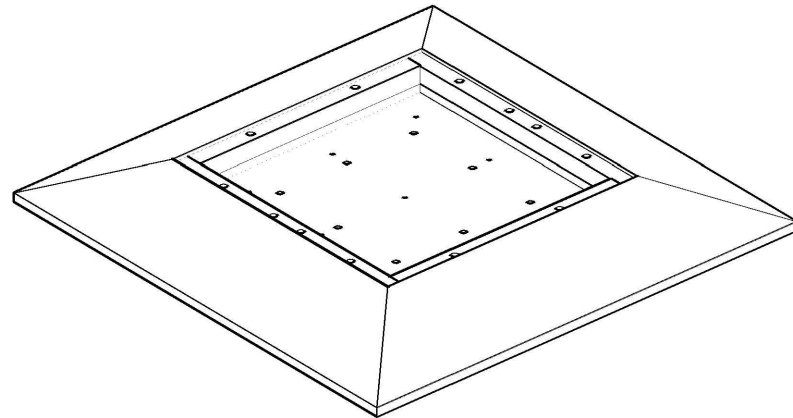
GAV19



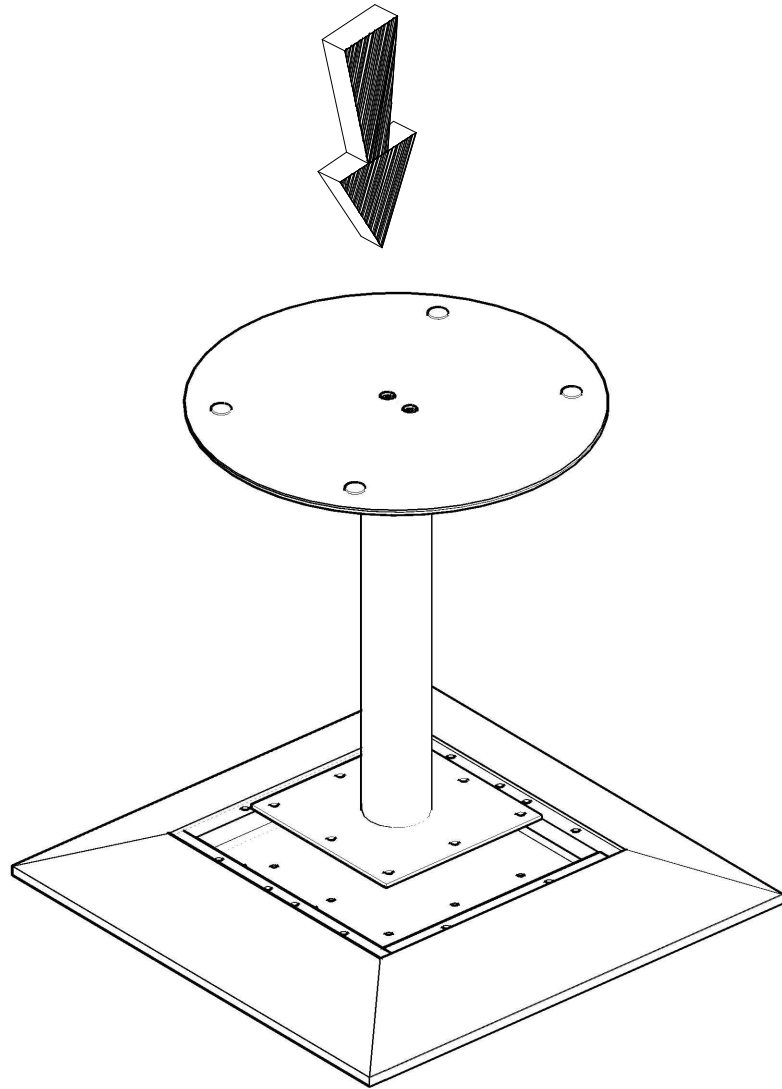
A



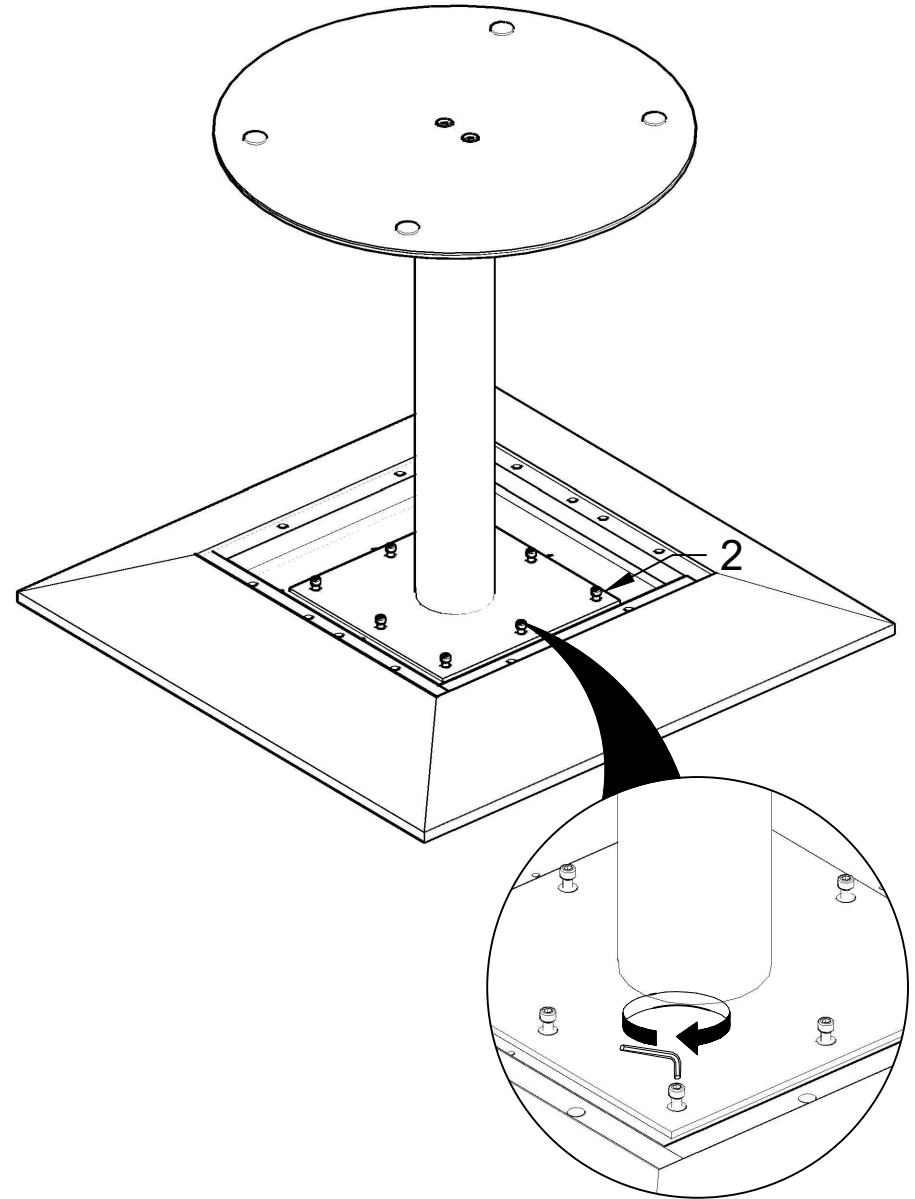
B



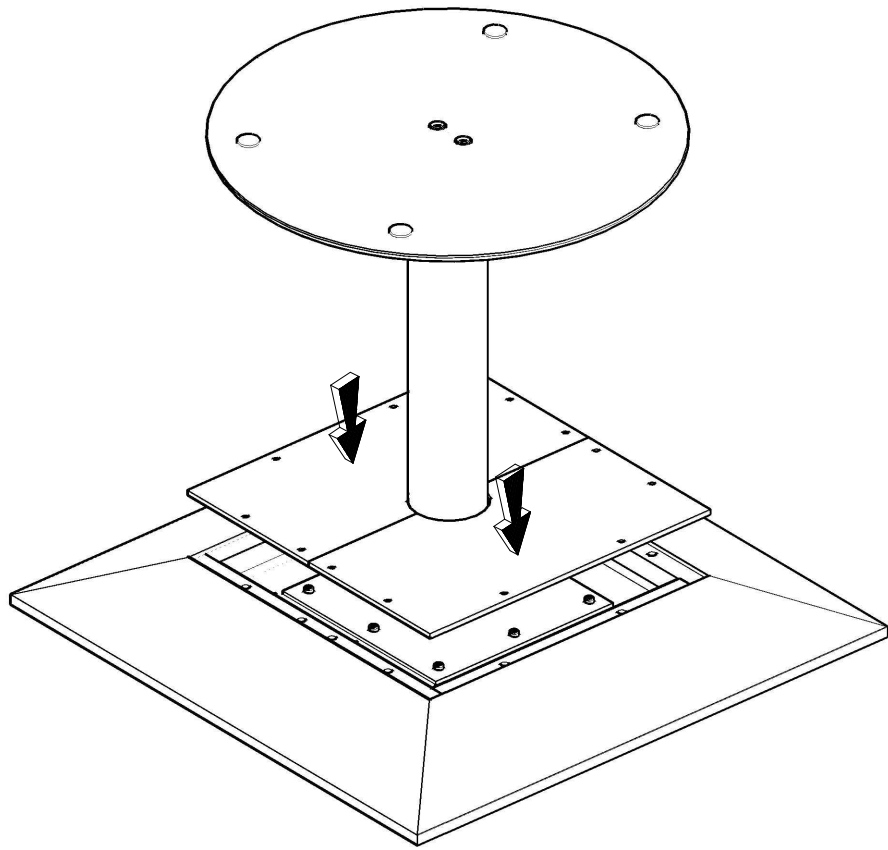
C



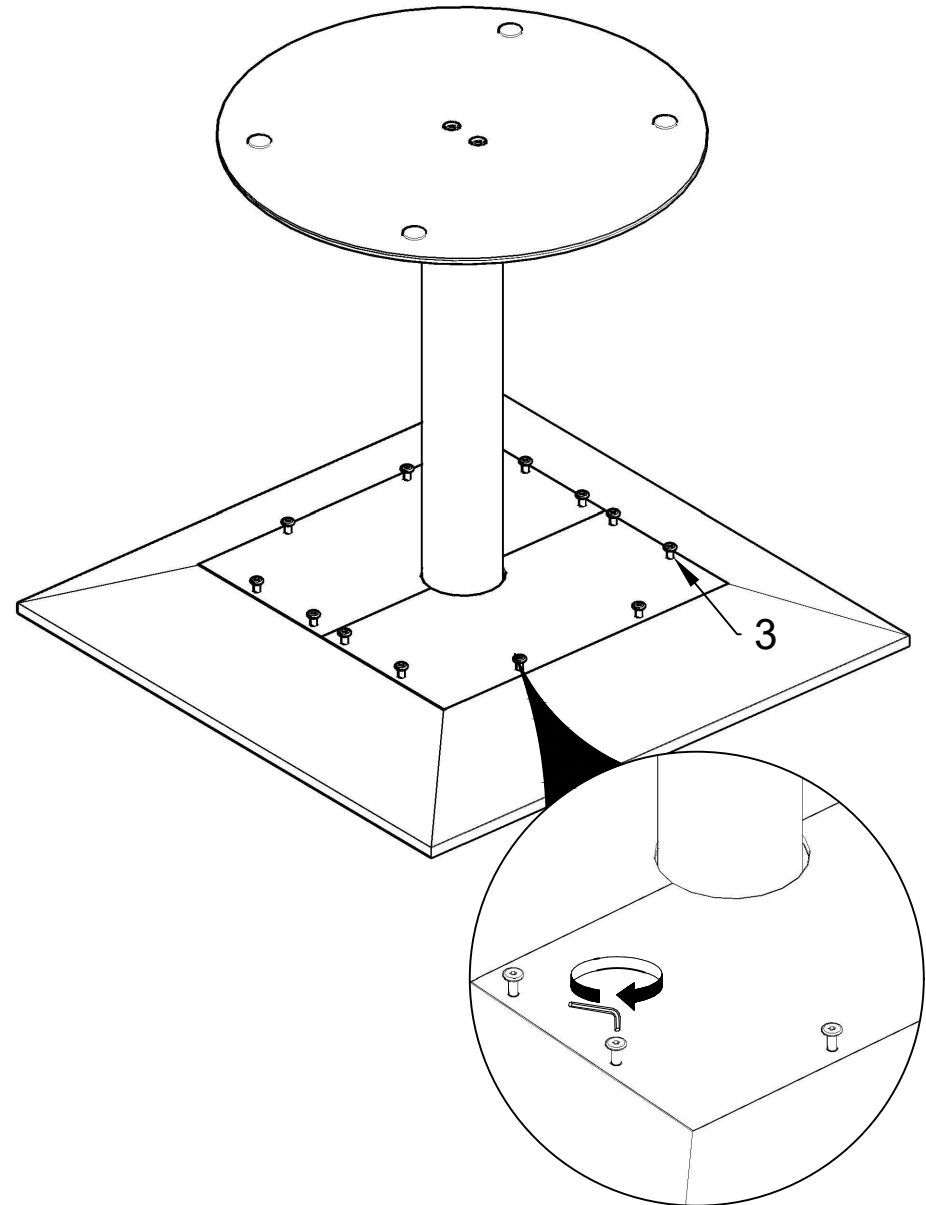
D



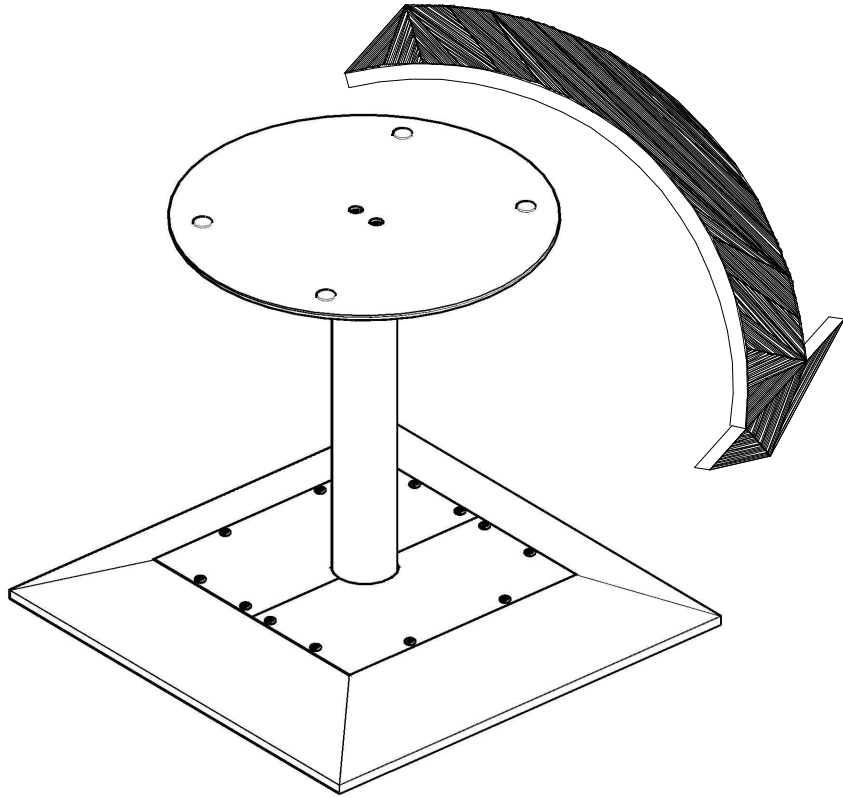
E



F



G



H

