



EN: Barstool with ash veneered plywood shell, solid ash wood frame

IT: Sgabello con scocca in multistrato di frassino, struttura in massello di frassino

DE: Barhocker mit Sitzschale aus Eschen-Multiplex, Struktur aus massivem Eschenholz

FR: Tabouret avec coque en multiplis de frêne, structure en frêne massif

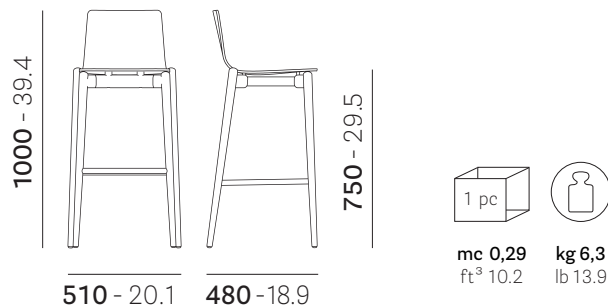
ES: Taburete con carcasa de madera contrachapada de fresno, marco de fresno macizo

mm - in

• 232



• 236



MATERIALS

Materiali
Materialien
Matériaux
Materiales

• SEAT - SEDUTA - SITZ - ASSISE - ASIENTO

EN: Ash plywood shell

IT: Scocca in multistrato di frassino

DE: Schale aus Eschen-Multiplex

FR: Coque en multiplis de frêne

ES: Carcasa de contrachapado de fresno

• FRAME - TELAIO - STRUKTUR - STRUCTURE - ARMAZÓN

EN: Solid ash

IT: Massello di frassino

DE: Eschen-Massivholz

FR: Frêne massif

ES: Fresno macizo

EN: Wooden parts have jointed components

IT: Le parti in legno presentano componenti giuntati

WOOD FINISH - FINITURA LEGNO - HOLZ AUSFÜHRUNG - FINITION BOIS - ACABADO MADERA

EN: Water-based paint, matt finish (5 gloss), anti-scratch

IT: Verniciatura a base acqua, finitura opaca (5 gloss), antigraffio

DE: Lack auf Wasserbasis, Ausführung matt (5 gloss), kratzfest

FR: Peinture à base d'eau, finition mate (5 gloss), anti-rayures

ES: Pintura a base de agua, acabado mate (brillo 5), anti-arañazos



DESIGN
CMP Design**EN: Lacquered visible grains**IT: Laccato poro aperto
DE: Laqué pore ouvert
FR: Offenporig lackiert
ES: Lacado poro abierto• **FOOTREST - POGGIPIEDI - FUßRING - REPOSE-PIEDS - REPOSA PIES****EN: Stainless steel AISI 304, tube Ø16 mm**IT: Acciaio inox AISI 304, tubo Ø16 mm
DE: Edelstahl AISI 304, Rohr Ø16 mm
FR: Acier inoxydable AISI 304, tube Ø16 mm
ES: Acero inoxidable AISI 304, tubo Ø16 mm**FOOTREST FINISH - FINITURA POGGIPIEDI - AUSFÜHRUNG DER FUßRINGE - FINITIONS REPOSE-PIEDS - ACABADO REPOSA PIES****EN: Brushed stainless steel**IT: Acciaio inox satinato
DE: Edeltah satiniert
FR: Acier inoxydable satiné
ES: Acero inoxidable satinado**EN: Antique bronze**IT: Bronzo anticato
DE: Antike Bronze
FR: Bronze antique
ES: Bronce antiguo**FEET - PIEDINI - GLEITER - PATINS - TACOS****EN: Feet with interchangeable insert in felt type "15", suitable for delicate and sensitive floors (wood, ceramic, marble) on request feet with interchangeable insert type "17" in plastic material, suitable for soft floors (carpet, rugs) or rough (concrete, metal)**

IT: Piedini con inserto intercambiabile in feltro tipo "15", adatti per pavimenti delicati e sensibili (legno, ceramica, marmo), a richiesta piedino con inserto intercambiabile in materiale plastico tipo "17", adatti per pavimenti morbidi (moquette, tappeti) o ruvidi (cemento, metallo)

DE: Gleiter mit austauschbaren Einsatz aus Filz Typ "15", für sanfte und zartfühlende Boden geeignet (Holz, Keramik, Marmor), nach Bedarf Gleiter mit Einsatz aus Kunststoff Typ "17" auch zur Verfügung, für weichen Boden geeignet (Teppichboden, Moquette) oder groben Boden (Metall, Beton)

FR: Patins avec insert interchangeable en feutre type "15", pour sols délicats et sensibles (bois, marbre, céramique), sur demande patin avec interchangeable en matériau plastique type "17", valable pour les sols plus doux (moquette, tapis) ou rugueux (béton, métal)

ES: Tacos con inserto intercambiabile de fieltro tipo "15", aptos para pisos delicados y sensibles (madera, cerámica, mármol), bajo pedido tacos con insertos intercambiables de plástico tipo "17", aptos para pisos suaves (moquetas, alfombras) o ásperos (hormigón, metal)

DESIGN
CMP Design

REGULATIONS AND CERTIFICATES

Normative e Certificazioni
Bestimmungen und Zertifikat
Normatives et certifications
Normativas y certificados

• PRODUCT CERTIFICATIONS - CERTIFICAZIONI DI PRODOTTO - PRODUKTZERTIFIZIERUNGEN - CERTIFICATIONS DE PRODUITS - CERTIFICACIONES DE PRODUCTO

EN: FSC® certified product
IT: Prodotto certificato FSC®
DE: Zertifiziertes Produkt FSC®
FR: Produit certifié FSC®
ES: Producto certificado FSC®



EN: Product tested in accordance with UL 2821 test method to show compliance to emission limits on UL 2818. Section 7.1 and 7.2
IT: Prodotto testato secondo il metodo UL 2821 test per dimostrare la conformità ai limiti di emissione della UL 2818. Sezione 7.1 e 7.2



• ENVIRONMENTAL IMPACT - IMPATTO AMBIENTALE - UMWELTBELASTUNG - IMPACT DUR L'ENVIRONNEMENT - IMPACTO AMBIENTAL

MATERIAL Materiale	Kg WEIGHT Peso	% TOTAL ITEM Totale articolo	MATERIAL RECYCLABILITY Riciclabilità del materiale	% MINIMUM RECYCLED AT ORIGIN Minima riciclato all'origine	% RECYCLABLE END OF PRODUCT LIFE Riciclabile fine vita prodotto
Steel Acciaio	0,884	14,20	YES	33,2	100
Tecnopolymer Tecnopolimero	0,012	0,19	YES	40	100
Polyethylene Poliethylene	0,0036	0,06	YES	0	100
Solid wood Legno massello	4,73	75,9	YES	0	100
Plywood Multistrato	0,6	9,63	YES	0	100
Felt Feltro	0,0016	0,03	NO	0	0
TOTAL TOTALE	6,23	--	--	4,8 %	100 %

EN: Percentages referred to 236
IT: Percentuali riferite al 236

• COMPANY CERTIFICATIONS - CERTIFICAZIONI AZIENDALI - UNTERNEHMENSZERTIFIZIERUNGEN - CERTIFICATIONS D'ENTREPRISE - CERTIFICACIONES DE LA EMPRESA

ISO 14001
Environmental management system
Sistema di gestione ambientale

ISO 9001
Quality management system
Sistema di gestione della qualità



Reproduction of this document is strictly prohibited without prior written authorisation from Pedrali SpA. Sizes, weights and finishes may change without previous notice.
È vietata la riproduzione del seguente documento senza previa autorizzazione scritta da parte di Pedrali SpA. Dimensioni, pesi e finiture possono variare senza alcun preavviso.

ST_MALMÖ_232_236_2023.0



EN: Barstool with upholstered shell, solid ash wood frame and stainless steel footrest

IT: Sgabello con scocca imbottita, struttura in massello di frassino e poggiapiedi in acciaio inox

DE: Barhocker mit gepolsterter Sitzschale, Struktur aus massivem Eschenholz und Fußstütze Edelstahl

FR: Tabouret avec coque rembourrée, structure en frêne massif et repose-pieds en acier inoxydable

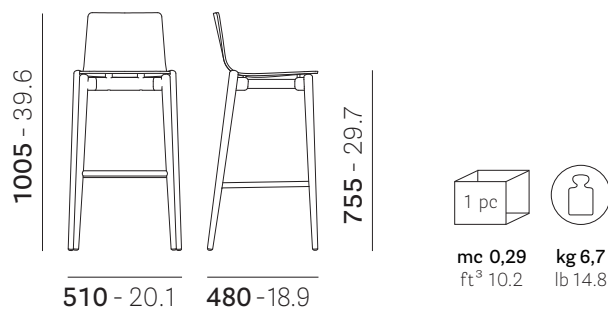
ES: Taburete con carcasa tapizada, marco de fresno macizo y reposapiés de acero inoxidable

mm - in

• 242



• 246



MATERIALS

Materiali
Materialien
Matériaux
Materiales

• SEAT - SEDUTA - SITZ - ASSISE - ASIEN TO

EN: Beech plywood shell padded with expanded, flexible polyurethane (density 60 kg/m³), fire-retardant (class 1 IM, Crib 5), covered with fabric

IT: Scocca in multistrato di faggio imbottita con poliuretano espanso flessibile (densità 60 kg/m³), ignifugo (classe 1 IM, Crib 5), rivestita in tessuto

DE: Schale aus Buchen-Multiplex gepolstert mit flexiblem Polyurethan (Dichte 60 kg/m³), feuerfest (Klasse 1 IM, Crib 5), mit Kernleder bezogen

FR: Coque en multiplis de hêtre rembourrée en polyuréthane expansé flexible (densité 60 kg / m³), ignifuge (classe 1 IM, Crib 5), recouverts de cuir naturel

ES: Carcasa de contrachapado de haya tapizado de espuma de poliuretano flexible (densidad 60 kg/m³), ignifugo (clase 1IM, Crib5), forrado de tela

FABRIC - TESSUTO - STOFF - TISSU - TEJIDO

Cat. C (Escluding C36+C39) - D40+D44 - D120+D123 - G - H - P

• **FRAME** - TELAIO - STRUKTUR - STRUCTURE - ARMAZÓN

EN: Solid ash

IT: Massello di frassino
DE: Eschen-Massivholz
FR: Frêne massif
ES: Fresno macizo

EN: Wooden parts have jointed components

IT: Le parti in legno presentano componenti giuntati

WOOD FINISH - FINITURA LEGNO - HOLZ AUSFÜHRUNG - FINITION BOIS - ACABADO MADERA

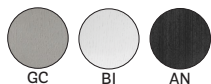
EN: Water-based paint, matt finish (5 gloss), anti-scratch

IT: Verniciatura a base acqua, finitura opaca (5 gloss), antigraffio
DE: Lack auf Wasserbasis, Ausführung matt (5 gloss), kratzfes
FR: Peinture à base d'eau, finition mate (5 gloss), anti-rayures
ES: Pintura a base de agua, acabado mate (brillo 5), anti-arañazos



EN: Lacquered visible grains

IT: Laccato poro aperto
DE: Laqué pore ouvert
FR: Offenporig lackiert
ES: Lacado poro abierto



• **FOOTREST** - POGGIAPIEDI - FUßRING - REPOSE-PIEDS - REPOSA PIES

EN: Stainless steel AISI 304, tube Ø16 mm

IT: Acciaio inox AISI 304, tubo Ø16 mm
DE: Edelstahl AISI 304, Rohr Ø16 mm
FR: Acier inoxydable AISI 304, tube Ø16 mm
ES: Acero inoxidable AISI 304, tubo Ø16 mm

FOOTREST FINISH - FINITURA POGGIAPIEDI - AUSFÜHRUNG DER FUßRINGE - FINITIONS REPOSE-PIEDS - ACABADO REPOSA PIES

EN: Brushed stainless steel

IT: Acciaio inox satinato
DE: Edeltah satiniert
FR: Acier inoxydable satiné
ES: Acero inoxidable satinado



EN: Antique bronze

IT: Bronzo anticato
DE: Antike Bronze
FR: Bronze antique
ES: Bronce antiguo



• **FEET** - PIEDINI - GLEITER - PATINS - TACOS

EN: Feet with interchangeable insert in felt type "15", suitable for delicate and sensitive floors (wood, ceramic, marble) on request feet with interchangeable insert type "17" in plastic material, suitable for soft floors (carpet, rugs) or rough (concrete, metal)

IT: Piedini con inserto intercambiabile in feltro tipo "15", adatti per pavimenti delicati e sensibili (legno, ceramica, marmo), a richiesta piedino con inserto intercambiabile in materiale plastico tipo "17", adatti per pavimenti morbidi (moquette, tappeti) o ruvidi (cemento, metallo)

DE: Gleiter mit austauschbaren Einsatz aus Filz Typ "15", für sanfte und zartfühlende Boden geeignet (Holz, Keramik, Marmor), nach Bedarf Gleiter mit Einsatz aus Kunststoff Typ "17" auch zur Verfügung, für weichen Boden geeignet (Teppichboden, Moquette) oder groben Boden (Metall, Beton)

FR: Patins avec insert interchangeable en feutre type "15", pour sols délicats et sensibles (bois, marbre, céramique), sur demande patin avec interchangeable en matériau plastique type "17", valable pour les sols plus doux (moquette, tapis) ou rugueux (béton, métal)

ES: Tacos con inserto intercambiabile de feltro tipo "15", aptos para pisos delicados y sensibles (madera, cerámica, mármol), bajo pedido tacos con insertos intercambiables de plástico tipo "17", aptos para pisos suaves (moquetas, alfombras) o ásperos (hormigón, metal)

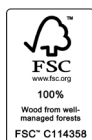
DESIGN
CMP Design

REGULATIONS AND CERTIFICATES

Normative e Certificazioni
Bestimmungen und Zertifikat
Normatives et certifications
Normativas y certificados

• PRODUCT CERTIFICATIONS - CERTIFICAZIONI DI PRODOTTO - PRODUKTZERTIFIZIERUNGEN - CERTIFICATIONS DE PRODUITS - CERTIFICACIONES DE PRODUCTO

EN: FSC® certified product
IT: Prodotto certificato FSC®
DE: Zertifiziertes Produkt FSC®
FR: Produit certifié FSC®
ES: Producto certificado FSC®



• ENVIRONMENTAL IMPACT - IMPATTO AMBIENTALE - UMWELTBELASTUNG - IMPACT DUR L'ENVIRONNEMENT - IMPACTO AMBIENTAL

MATERIAL Materiale	Kg WEIGHT Peso	% TOTAL ITEM Totale articolo	MATERIAL RECYCLABILITY Riciclabilità del materiale	% MINIMUM RECYCLED AT ORIGIN Minima riciclato all'origine	% RECYCLABLE END OF PRODUCT LIFE Riciclabile fine vita prodotto
Steel Acciaio	0,884	13,21	YES	33,2	100
Tecnopolymer Tecnopolimero	0,012	0,18	YES	40	100
Polyethylene Poliethylene	0,0036	0,05	YES	0	100
Polyurethan foam Poliuretano espanso	0,21	3,14	NO	0	0
Solid wood Legno massello	4,73	70,69	YES	0	100
Plywood Multistrato	0,6	8,97	YES	0	100
Fabric Tessuto	0,25	3,74	NO	0	0
Felt Feltro	0,0016	0,02	NO	0	0
TOTAL TOTALE	6,69	--	--	4,5 %	93,1 %

EN: Percentages referred to 246
IT: Percentuali riferite al 246

• COMPANY CERTIFICATIONS - CERTIFICAZIONI AZIENDALI - UNTERNEHMENSZERTIFIZIERUNGEN - CERTIFICATIONS D'ENTREPRISE - CERTIFICACIONES DE LA EMPRESA

ISO 14001
Environmental management system
Sistema di gestione ambientale

ISO 9001
Quality management system
Sistema di gestione della qualità



Reproduction of this document is strictly prohibited without prior written authorisation from Pedrali SpA. Sizes, weights and finishes may change without previous notice.
È vietata la riproduzione del seguente documento senza previa autorizzazione scritta da parte di Pedrali SpA. Dimensioni, pesi e finiture possono variare senza alcun preavviso.

ST_MALMÖ_242_246_2023.0

DESIGN
CMP Design

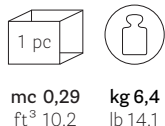
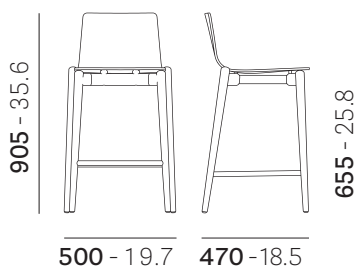


EN: Barstool with genuine leather shell, solid ash wood frame and stainless steel footrest

IT: Sgabello con scocca in cuoio naturale, struttura in massello di frassino e poggiatesta in acciaio inox
DE: Barhocker mit Sitzschale aus Natur-Kernleder, Struktur aus massivem Eschenholz und Fußstütze Edelstahl
FR: Tabouret avec coque en cuir naturel, structure en frêne massif et repose-pieds en acier inoxydable
ES: Taburete con carcasa de cuero natural, marco de fresno macizo y reposapiés de acero inoxidable

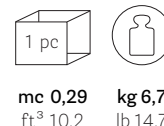
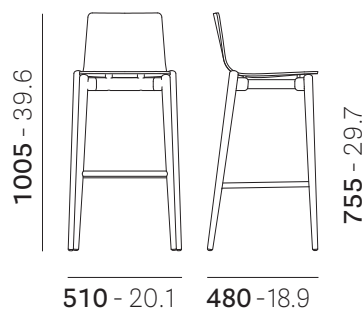
mm - in

• 252



mc 0,29 kg 6,4
ft³ 10.2 lb 14.1

• 256



mc 0,29 kg 6,7
ft³ 10.2 lb 14.7

MATERIALS

Materiali
Materialien
Matériaux
Materiales

• SEAT - SEDUTA - SITZ - ASSISE - ASIENTO

EN: Beech plywood shell, padded with expanded, flexibile polyurethane covered with genuine hard leather with matching stitches

IT: Scocca in multistrato di faggio, imbottita con poliuretano espanso flessibile, rivestita in cuoio naturale con cuciture in tinta
DE: Sitzschale aus Buchen-Multiplex, gepolstert mit flexiblen Polyurethan, mit Kernleder bezogen mit gleichfarbige Nähte
FR: Coque en contreplaqué de hêtre, rembourrée en polyuréthane expansé flexible, recouverts de cuir naturel avec coutures assorties
ES: Carcasa contrachapada de haya, tapizado de espuma de poliuretano flexible, forrado de cuero natural con costuras a juego

GENUINE HARD LEATHER - CUIO NATURALE - KERNLEDER - CUIR NATUREL - CUERO NATURAL

Cat. F01+F09

EN: For more information see finishing legend on the website
IT: Per maggiori informazioni vedere legenda finiture sul sito web

• FRAME - TELAIO - STRUKTUR - STRUCTURE - ARMAZÓN

EN: Solid ash
IT: Massello di frassino
DE: Eschen-Massivholz
FR: Frêne massif
ES: Fresno macizo

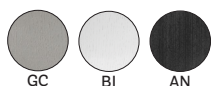
EN: Wooden parts have jointed components
IT: Le parti in legno presentano componenti giuntati

DESIGN
CMP Design**WOOD FINISH - FINITURA LEGNO - HOLZ AUSFÜHRUNG - FINITION BOIS - ACABADO MADERA**

EN: Water-based paint, matt finish (5 gloss), anti-scratch
 IT: Verniciatura a base acqua, finitura opaca (5 gloss), antigraffio
 DE: Lack auf Wasserbasis, Ausführung matt (5 gloss), kratzfest
 FR: Peinture à base d'eau, finition mate (5 gloss), anti-rayures
 ES: Pintura a base de agua, acabado mate (brillo 5), anti-arañazos



EN: Lacquered visible grains
 IT: Laccato poro aperto
 DE: Laqué pore ouvert
 FR: Offenporig lackiert
 ES: Lacado poro abierto



- **FOOTREST - POGGIPIEDI - FUßRING - REPOSE-PIEDS - REPOSA PIES**

EN: Stainless steel AISI 304, tube Ø16 mm
 IT: Acciaio inox AISI 304, tubo Ø16 mm
 DE: Edelstahl AISI 304, Rohr Ø16 mm
 FR: Acier inoxydable AISI 304, tube Ø16 mm
 ES: Acero inoxidable AISI 304, tubo Ø16 mm

FOOTREST FINISH - FINITURA POGGIPIEDI - AUSFÜHRUNG DER FUßRINGE - FINITIONS REPOSE-PIEDS - ACABADO REPOSA PIES

EN: Brushed stainless steel
 IT: Acciaio inox satinato
 DE: Edeltah satiniert
 FR: Acier inoxydable satiné
 ES: Acero inoxidable satinado



EN: Brushed bronze
 IT: Bronzo satinato
 DE: Bronze satiniert
 FR: Bronze satiné
 ES: Bronce satinado



- **FEET - PIEDINI - GLEITER - PATINS - TACOS**

EN: Feet with interchangeable insert in felt type "15", suitable for delicate and sensitive floors (wood, ceramic, marble) on request feet with interchangeable insert type "17" in plastic material, suitable for soft floors (carpet, rugs) or rough (concrete, metal)

IT: Piedini con inserto intercambiabile in feltro tipo "15", adatti per pavimenti delicati e sensibili (legno, ceramica, marmo), a richiesta piedino con inserto intercambiabile in materiale plastico tipo "17", adatti per pavimenti morbidi (moquette, tappeti) o ruvidi (cemento, metallo)
 DE: Gleiter mit austauschbaren Einsatz aus Filz Typ "15", für sanfte und zartfühlende Boden geeignet (Holz, Keramik, Marmor), nach Bedarf Gleiter mit Einsatz aus Kunststoff Typ "17" auch zur Verfügung, für weichen Boden geeignet (Teppichboden, Moquette) oder groben Boden (Metall, Beton)
 FR: Patins avec insert interchangeable en feutre type "15", pour sols délicats et sensibles (bois, marbre, céramique), sur demande patin avec interchangeable en matériau plastique type "17", valable pour les sols plus doux (moquette, tapis) ou rugueux (béton, métal)
 ES: Tacos con inserto intercambiabile de feltro tipo "15", aptos para pisos delicados y sensibles (madera, cerámica, mármol), bajo pedido tacos con insertos intercambiables de plástico tipo "17", aptos para pisos suaves (moquetas, alfombras) o ásperos (hormigón, metal)

DESIGN
CMP Design

REGULATIONS AND CERTIFICATES

Normative e Certificazioni
Bestimmungen und Zertifikat
Normatives et certifications
Normativas y certificados

• PRODUCT CERTIFICATIONS - CERTIFICAZIONI DI PRODOTTO - PRODUKTZERTIFIZIERUNGEN - CERTIFICATIONS DE PRODUITS - CERTIFICACIONES DE PRODUCTO

EN: FSC® certified product
IT: Prodotto certificato FSC®
DE: Zertifiziertes Produkt FSC®
FR: Produit certifié FSC®
ES: Producto certificado FSC®



• ENVIRONMENTAL IMPACT - IMPATTO AMBIENTALE - UMWELTBELASTUNG - IMPACT DUR L'ENVIRONNEMENT - IMPACTO AMBIENTAL

MATERIAL Materiale	Kg WEIGHT Peso	% TOTAL ITEM Totale articolo	MATERIAL RECYCLABILITY Riciclabilità del materiale	% MINIMUM RECYCLED AT ORIGIN Minima riciclato all'origine	% RECYCLABLE END OF PRODUCT LIFE Riciclabile fine vita prodotto
Steel Acciaio	0,885	0,55	YES	33,2	100
Tecnopolymer Tecnopolimero	0,012	0,18	YES	0	100
Polyethylene Poliethylene	0,0036	0,05	YES	0	100
Polyurethane foam Poliuretano espanso	0,21	7,58	NO	0	0
Solid wood Legno massello	4,731	69,01	YES	0	100
Plywood Multistrato	0,6	17,50	YES	0	100
Genuine hard leather Cuio naturale	0,25	5,11	NO	0	0
Felt Feltro	0,0016	0,02	NO	0	0
TOTAL TOTALE	6,69 Kg	--	--	4,4 %	93,1%

EN: Percentages referred to 256
IT: Percentuali riferite al 256

• COMPANY CERTIFICATIONS - CERTIFICAZIONI AZIENDALI - UNTERNEHMENSZERTIFIZIERUNGEN - CERTIFICATIONS D'ENTREPRISE - CERTIFICACIONES DE LA EMPRESA

ISO 14001
Environmental management system
Sistema di gestione ambientale



ISO 9001
Quality management system
Sistema di gestione della qualità



Reproduction of this document is strictly prohibited without prior written authorisation from Pedrali SpA. Sizes, weights and finishes may change without previous notice. È vietata la riproduzione del seguente documento senza previa autorizzazione scritta da parte di Pedrali SpA. Dimensioni, pesi e finiture possono variare senza alcun preavviso.

ST_MALMÖ_252_256_2023.0