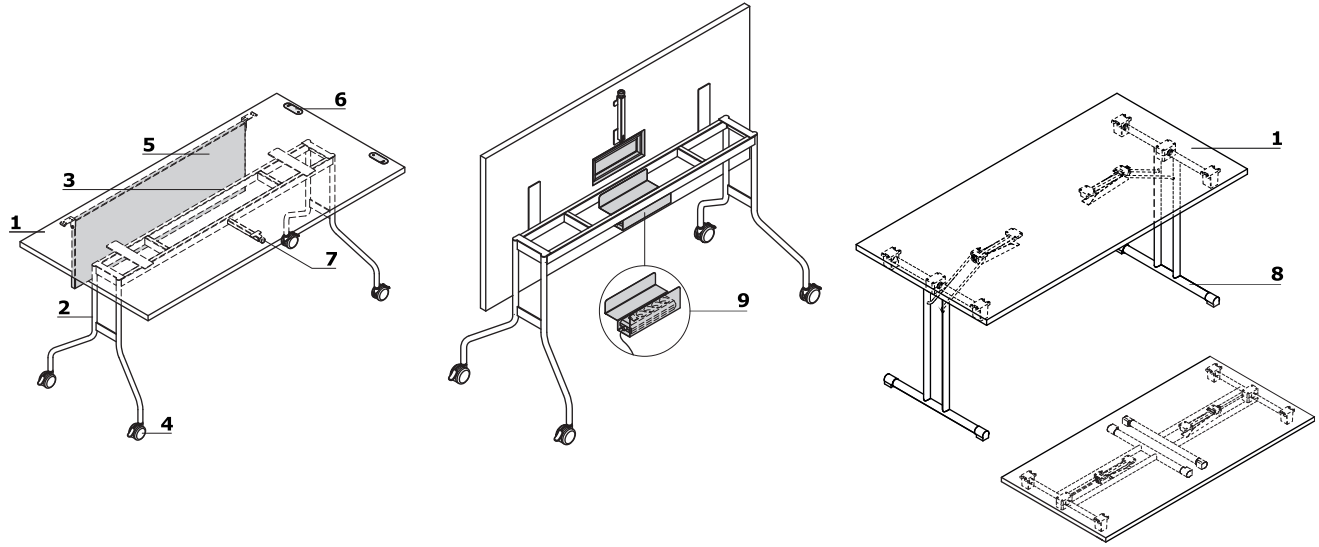


Folding tables

- 1 **Worktop** - MFC 28 mm, ABS edge 2mm
- 2 **Frame** - metal, powder coated, profile Ø22 mm
- 3 **Joining rail** - metal, powder coated, colour: M009 - aluminium semi-matt, profile 40x20 mm
- 4 **Wheels with brake** - Ø65 mm
- 5 **Optional modesty panel US92** - MFC 18 mm, ordered separately
- 6 **Hook** - to connect tables
- 7 **Release button** - folding/unfolding table via pulling the latch
- 8 **Folding base** - chrome
- 9 **OPTION WITH EXTRA CHARGE** - Mediabox + horizontal cable tray:
 - Mediabox M18H - 2xRJ45 (class E, cat. 6); + 1 x USB + 3 x USB C + 1 x HDMI + 4x 230V, mediabox colour is matched to the colour of the frame
 - Mediabox M18 - 2xRJ45 (class E, cat. 6); + 1 x USB + 3 x USB C + 4 x 230V, mediabox colour is matched to the colour of the frame



Configuration examples

