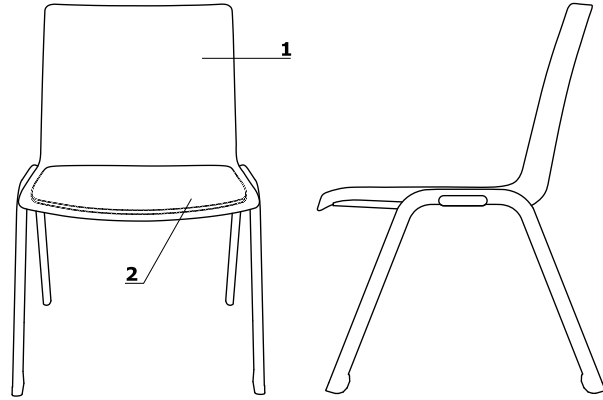


Technical specification

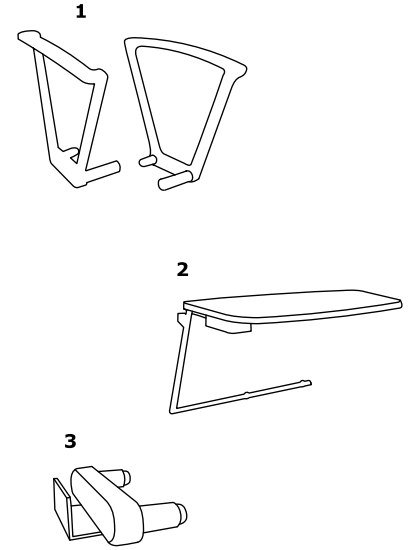
- 1 **Seat** - polypropylene
- 2 **OPTION WITH EXTRA CHARGE** - seat pad of cut foam, density of 30 kg/m³, upholstered



- max. load 120 kg

Optional components

- 1 **Armrests** - polyamide (PA+30GF), colour: black
- 2 **Writing tablet** - plywood varnished, colour: M115 - black semi-matt
- 3 **Connecting element** - allow for setting chair in a row, polypropylen (PP+15GF), metal, colour: black; only with SHS01 base chairs



Bases

1 Base SHS01:

- 4 - legged, metal, powder coated
 - legs 30 × 18 mm, wall thickness 1,5 mm; CNC - bent
 - finished with polypropylene feet (PP+30GF) in frame colour
 - side cap, polypropylene, colour: black
- Stacked:**
- max. 12 pieces - without armrests set
 - max. 6 pieces - 2 armrests + table
 - max. 6 pieces - 1 armrest + table



SHS01

2 Base SHS01K:

- 4 - legged, metal, powder coated
- legs 30 × 18 mm, wall thickness 1,5 mm; CNC - bent
- finished with castors Ø55 mm for soft floors; OPTION WITH EXTRA CHARGE - castors for hard floors
- side cap, polypropylene, colour: black



SHS01K

3 Base SHS07:

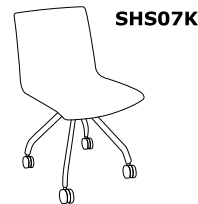
- 4 - star, metal, powder coated
- legs 30 × 18 mm, wall thickness 1,5 mm; CNC - bent
- finished with polypropylene feet (PP+30GF), colour: black
- swivel seat - 360°



SHS07

4 Base SHS07K:

- 4 - star, metal, powder coated
- legs 30 × 18 mm, wall thickness 1,5 mm; CNC - bent
- finished with castors Ø55 mm for soft floors; OPTION WITH EXTRA CHARGE - castors for hard floors



SHS07K

5 Base SHS10:

- base 5 - star, polypropylene, Ø=680 mm, h=124 mm
- polypropylene feet Ø50 mm, h 32
- gas spring, steel, colour: black, adjustment range 130 mm (385 - 515 mm)
- swivel seat - 360°



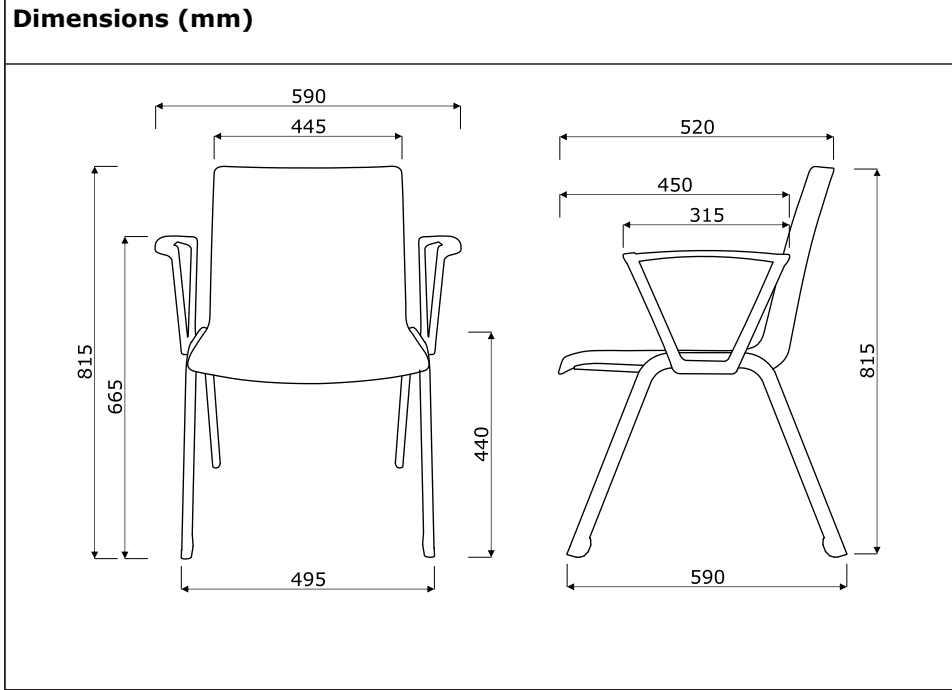
SHS10

6 Base SHS10K:

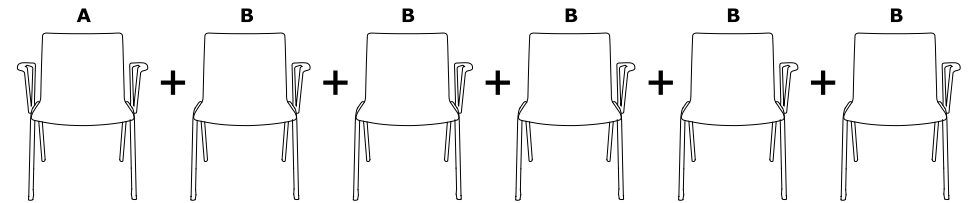
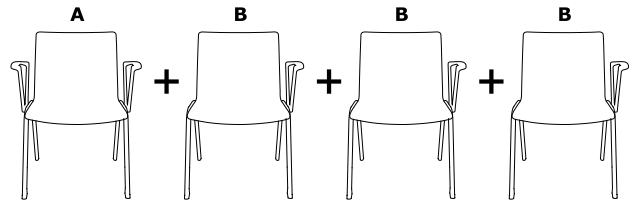
- base 5 - star, polypropylene, Ø=680 mm, h=124 mm
- finished with castors Ø55 mm for soft floors; OPTION WITH EXTRA CHARGE - castors for hard floors
- gas spring, steel, colour: black, adjustment range 130 mm (385 - 515 mm)
- swivel seat - 360°



SHS10K



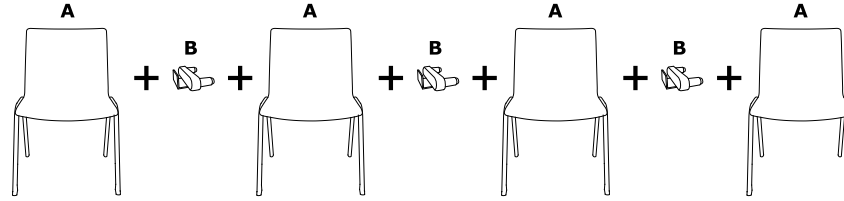
Configuration examples of setting chairs with armrests in a row



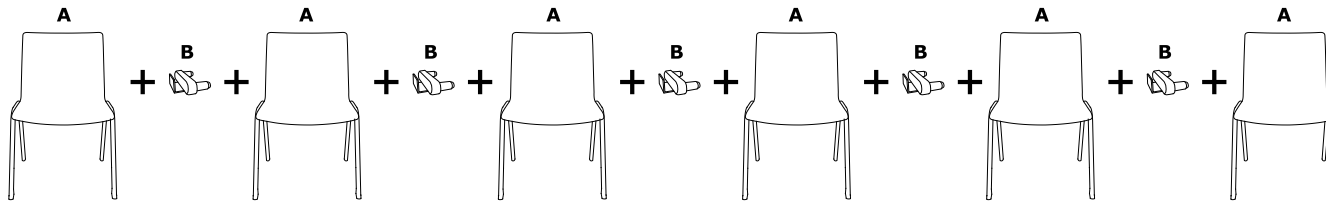
Row of 4 chairs - chair with armrests set (right+left) (A) + 3 chairs with left armrests (B)

Row of 6 chairs - chair with armrests set (right+left) (A) + 5 chairs with left armrests (B)

Configuration examples of setting chairs without armrests in a row



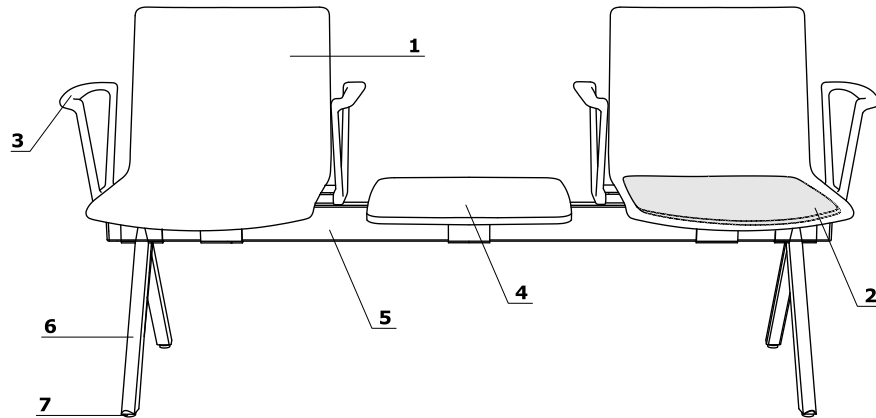
Row of 4 chairs - chair without armrests set (A) + 3 connecting elements for setting chairs in a row (B)



Row of 6 chairs - chair without armrests set (A) + 5 connecting elements for setting chairs in a row (B)

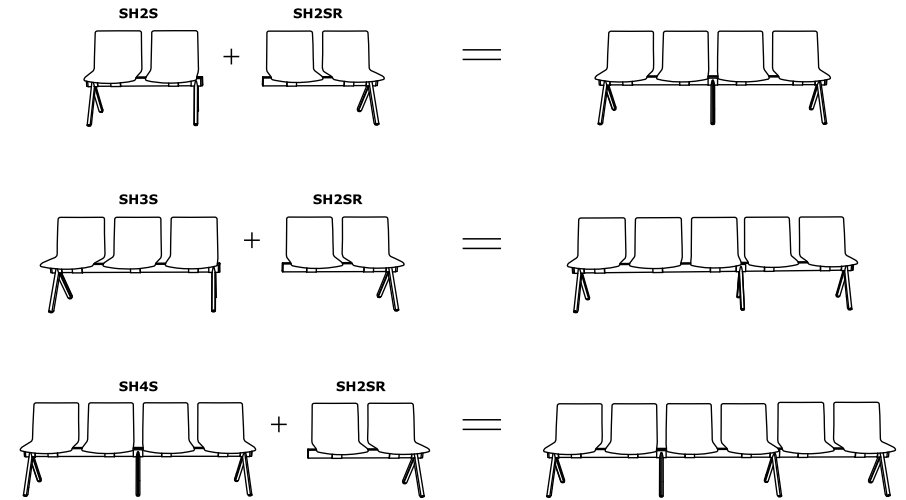
Technical specification

- 1 **Seat** - polypropylene
- 2 **OPTION WITH EXTRA CHARGE** - upholstered seat pad
- 3 **Armrests** - polyamide (PA+30GF), colour: black
- 4 **Top** - MFC 18 mm, colour: black, ABS edges 2 mm
- 5 **Frame** - 80 × 40 mm, wall thickness 2 mm, finished with polypropylene caps in frame colour, powder coated
- 6 **Legs** - triangle profile 56 × 34 mm, wall thickness 2 mm
- 7 **Feet** - articulated, chrome



- max. load 120 kg (seat); possibility to change location

Configuration examples



Dimensions (mm)

