

# DUNE

## MID BACK CHAIR

CATAS UNI EN 16139, 1335 C

**Code** ODUNEB01



### DESCRIPTION

Mid back presidential armchair

### NOTE

65mm wheel brake in hard, soft or ring

### SPECIFICATIONS

#### STRUCTURE

Steel rod and plate

#### MECHANISM

MEC01 - Aluminum block with control for seat elevation painted black - Made in Italy

MEC02 - Tilt - Anti-shock device - Weight adjustment - Made in Italy

MEC18 - Harmonic tilt mechanism - Made in Italy

MEC03 - Knee tilt - Anti-shock device - 6 positions - Side weight adjustment - Made in Italy

#### PADDING

Seat: Sectioned polyurethane foam - thickness 50 mm, density 40 Kg/m3 indeformabile

Backrest: injection molded polyurethane foam padding - thickness ranging from 30 to 60 mm , ds 60 Kg/m3

#### SHELL AND ARMS

Injection molded polyurethane foam padding ds50kg/m3

#### LEGS / FRAME / BASE

Polished die-cast aluminum base 700mm

#### UPHOLSTERY

Categories B01-B03-C01-C05-D02-D03-D04-D06-E01-E02-P01

(see "FINISHING COLLECTION" folder)

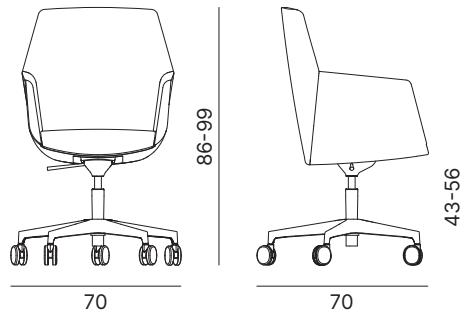
### SIZE

Dimensions in millimeters

chair  
L 700 H 860-990 D 700

seat  
L 470 H 430-560 D 480

backrest  
L 500 H 460



### WEIGHT

Net weight a chair: 13 Kg  
Gross weight a chair: 16 Kg

### PACKAGING

1 x completely assembled box  
L 710 H 710 D 1010

### VOLUME

M3 package: 0,5

# DUNE

## HIGH BACK CHAIR

CATAS UNI EN 16139, 1335 C

**Code ODUNEA01**

### DESCRIPTION

High back presidential armchair

### NOTE

65mm wheel brake in hard, soft or ring



### SPECIFICATIONS

#### STRUCTURE

Steel rod and plate

#### MECHANISM

MEC01 - Aluminum block with control for seat elevation painted black - Made in Italy

MEC02 - Tilt - Anti-shock device - Weight adjustment - Made in Italy

MEC18 - Harmonic tilt mechanism - Made in Italy

MEC03 - Knee tilt - Anti-shock device - 6 positions - Side weight adjustment Made in Italy

#### PADDING

Seat: Sectioned polyurethane foam - thickness 50 mm, density 40 Kg/m3 indeformabile

Backrest: injection molded polyurethane foam padding - thickness ranging from 30 to 60 mm , ds 60 Kg/m3

#### SHELL E ARMS

injection molded polyurethane foam padding ds50kg/m3

#### LEGS / FRAME / BASE

Polished die-cast aluminum base 700mm

#### UPHOLSTERY

Categories B01-B03-C01-C05-D02-D03-D04-D06-E01-E02-P01

(see "FINISHING COLLECTION" folder)

### SIZE

Dimensions in millimeters

#### chair

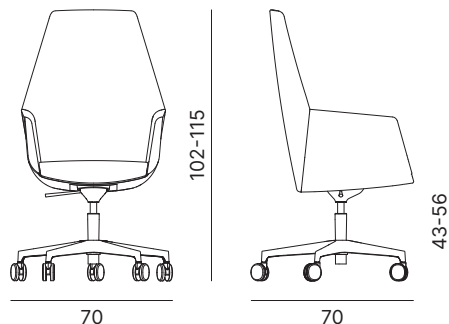
L 700 H 1020-1150 D 700

#### seat

L 470 H 430-560 D 480

#### backrest

L 500 H 620



#### WEIGHT

Net weight a chair: 14 Kg

Gross weight a chair: 18 Kg

#### PACKAGING

1 x completely assembled box

L 710 H 710 D 1190

#### VOLUME

M3 package: 0,6

# DUNE

## HIGH BACK CHAIR WITH HEADREST

CATAS UNI EN 1335 C

**Code ODUNEP01**



### DESCRIPTION

High back presidential armchair with headrest

### NOTE

65mm wheel brake in hard, soft or ring

### SPECIFICATIONS

#### STRUCTURE

Steel rod and plate

#### MECHANISM

MEC01 - Aluminum block with control for seat elevation painted black - Made in Italy

MEC02 - Tilt - Anti-shock device - Weight adjustment - Made in Italy

MEC18 - Harmonic tilt mechanism - Made in Italy

MEC03 - Knee tilt - Anti-shock device - 6 positions - Side weight adjustment - Made in Italy - Made in Italy

#### PADDING

Seat: Sectioned polyurethane foam - thickness 50 mm, density 40 Kg/m3 indeformabile

Backrest: injection molded polyurethane foam padding - thickness ranging from 30 to 60 mm , ds 60 Kg/m3

#### SHELL E ARMS

Injection molded polyurethane foam ds50kg/m3

#### LEGS / FRAME / BASE

Polished die-cast aluminum base 700mm

#### UPHOLSTERY

Categories B01-B03-C01-C05-D02-D03-D04-D06-E01-E02-P01  
(see "FINISHING COLLECTION" folder)

### SIZE

Dimensions in millimeters

#### chair

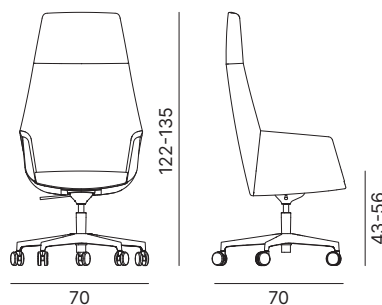
L 700 H 1220-1350 D 700

#### seat

L 470 H 430-560 D 480

#### backrest

L 500 H 820



#### WEIGHT

Net weight a chair: 15 Kg

Gross weight a chair: 19 Kg

#### PACKAGING

1 x completely assembled box

L 710 H 710 D 1119

#### VOLUME

M3 package: 0,6

# DUNE

## MID BACK VISITOR CHAIR



**Code** ODUNEV01

### DESCRIPTION

Mid back visitor armchair

### NOTE

Lift with self-alignment device (optional)

### SPECIFICATIONS

#### STRUCTURE

Steel rod and plate

#### MECHANISM

MEC01 - Aluminum block

MEC19- Aluminum harmonic system painted black - Made in Italy

#### PADDING

Seat: Sectioned polyurethane foam - thickness 50 mm, density 40 Kg/m3 indeformabile

Backrest: injection molded polyurethane foam padding - thickness ranging from 30 to 60 mm , ds 60 Kg/m3

#### SHELL AND ARMS

Injection molded polyurethane foam ds50kg/m3

#### LEGS / FRAME / BASE

4-star in Polished die-cast aluminum base 700mm; chrome steel flat base (optional)

#### UPHOLSTERY

Categories B01-B03-C01-C05-D02-D03-D04-D06-E01-E02-P01

(see "FINISHING COLLECTION" folder)

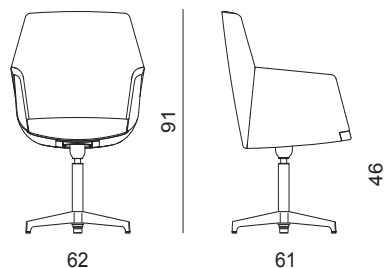
### SIZE

Dimensions in millimeters

chair  
L 620 H 910 D 590

seat  
L 470 H 460 D 480

backrest  
L 500 H 460



### WEIGHT

Net weight a chair: 12 Kg

Gross weight a chair: 15 Kg

### PACKAGING

1 x completely assembled box

L 710 H 710 D 1000

### VOLUME

M3 package: 0,5

# DUNE

## HIGH BACK VISITOR CHAIR



**Code** ODUNEV02

### DESCRIPTION

High back visitor armchair

### NOTE

Lift with self-alignment device (optional)

### SPECIFICATIONS

#### STRUCTURE

Steel rod and plate

#### MECHANISM

MEC01 - Aluminum block

MEC19- Aluminum harmonic system painted black - Made in Italy

#### PADDING

Seat: Sectioned polyurethane foam - thickness 50 mm, density 40 Kg/m3 indeformabile

Backrest: injection molded polyurethane foam padding - thickness ranging from 30 to 60 mm , ds 60 Kg/m3

#### SHELL AND ARMS

Injection molded polyurethane foam ds50kg/m3

#### LEGS / FRAME / BASE

4-star in Polished die-cast aluminum base 700mm; chrome steel flat base (optional)

#### UPHOLSTERY

Categories B01-B03-C01-C05-D02-D03-D04-D06-E01-E02-P01

(see "FINISHING COLLECTION" folder)

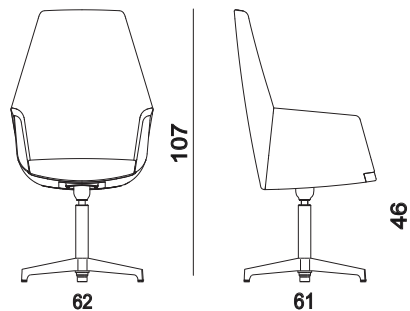
### SIZE

Dimensions in millimeters

chair  
L 620 H 1070 D 590

seat  
L 470 H 460 D 480

backrest  
L 500 H 620



### WEIGHT

Net weight a chair: 13 Kg  
Gross weight a chair: 16 Kg

### PACKAGING

1 x completely assembled box  
L 710 H 710 D 1190

### VOLUME

M3 package: 0,59