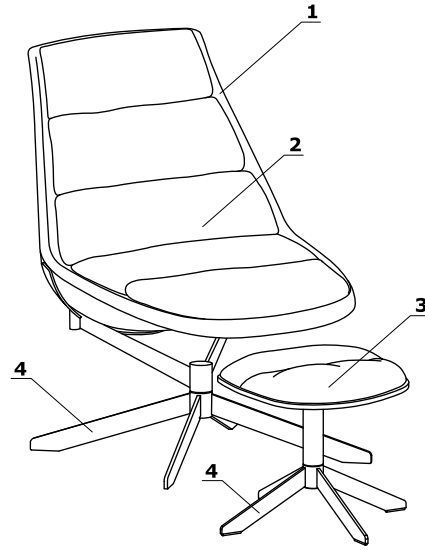


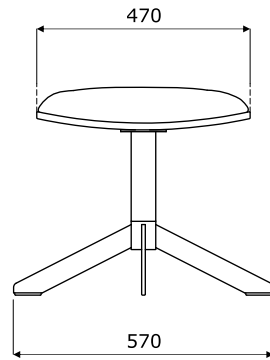
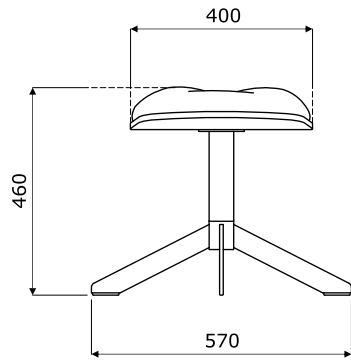
Technical specification

- 1 Seat** - metal frame filled with foam, density of 55 kg/m³, upholstered
- 2 Cushion** - plumage + polyurethane foam, upholstered
- 3 Footrest** - powder coated metal; seat - plywood + cushion - plumage + polyurethane foam, upholstered
- 4 Base:**
 - 4 - star, metal, powder coated
 - swivel seat - 360°
 - legs finished with polypropylene feet



- max. load 120 kg

Dimensions (mm)



Dimensions (mm)

