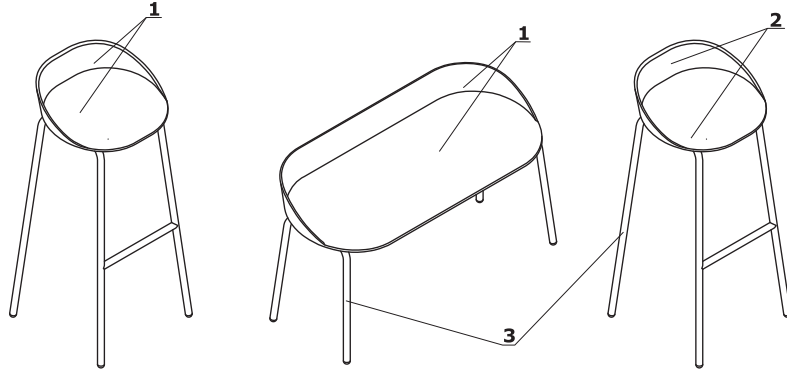


Technical specification

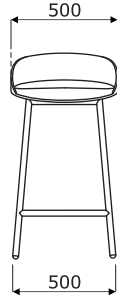
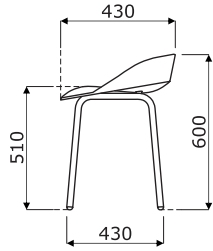
- 1 **Seat** - polypropylene
- 2 **Seat** - upholstered
- 3 **Base** - frame Ø22 mm, wall thickness 2,5 mm, powder coated



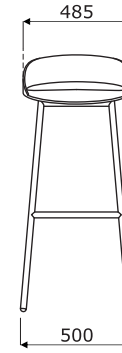
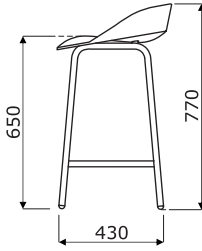
Dimensions (mm)



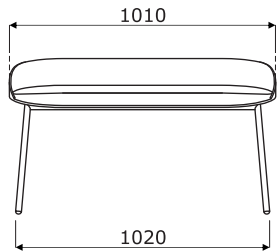
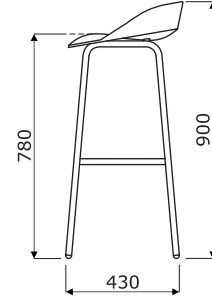
TE01
TE01F



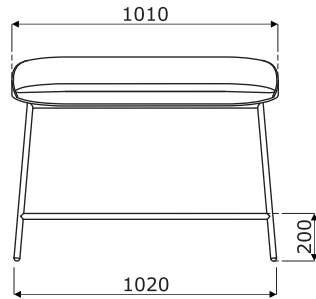
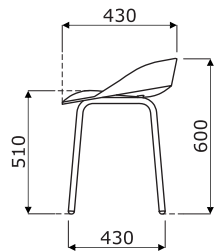
TE11H
TE11HF



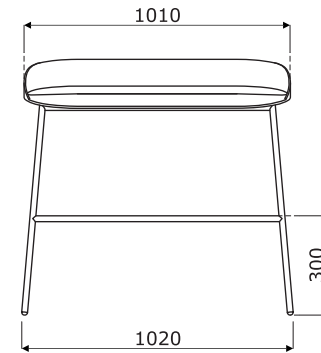
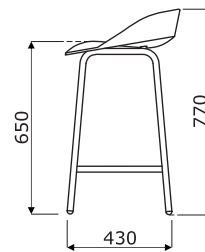
TE01H
TE01HF



TE02F
TE02



TE12HF
TE12H



TE02HF
TE02H

