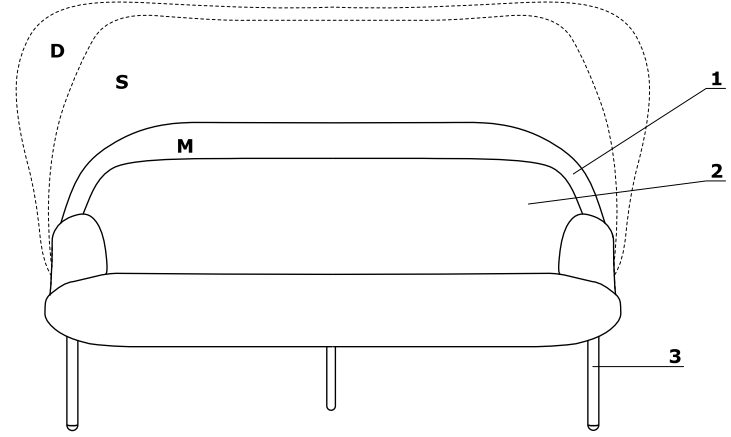
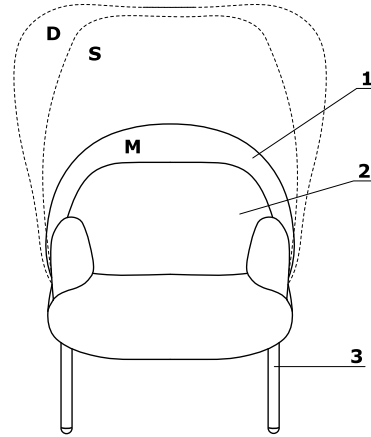


Technical specification

- 1 Shield** - frame Ø25 mm, upholstered, two fabric layers attached to the frame with zip

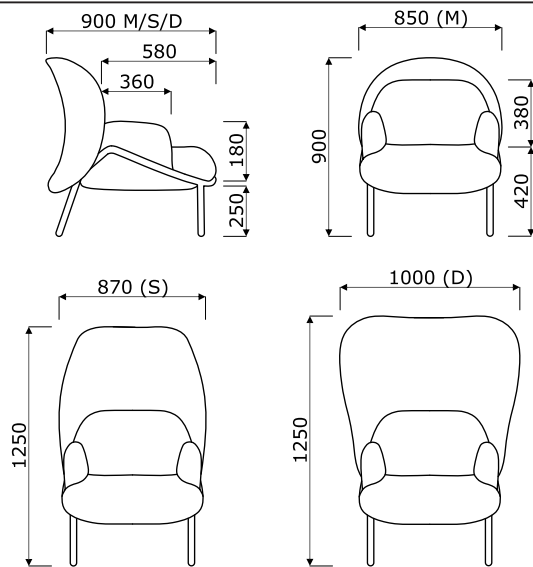
 - M - small shield
 - S - medium shield
 - D - large shield

- 2 Seat, backrest, armrests** - moulded foam, density of 55 kg/m³, upholstered
- 3 Base** - 4-legged, metal, powder coated, Ø25 mm, wall thickness 1.5 mm, CNC-bent, legs finished with polypropylene feet, colour: white - white frame; colour: black - other frame colours

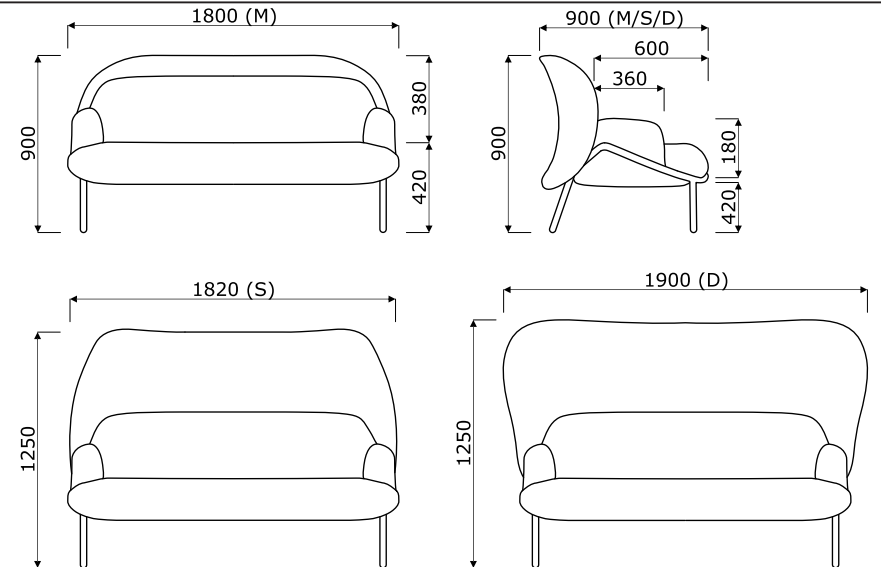


- max. load 120 kg

Armchair - dimensions (mm)

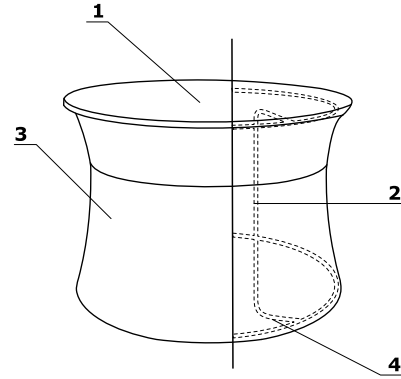


Sofa - dimensions (mm)



Tables

- 1 Worktop** - MFC 12 mm
- 2 Frame** - tubular structure mounted on the MFC-base, tube $\text{\O}16$ mm, wall thickness 2 mm, CNC-bent
- 3 Fabric** - upholstered - upper and lower part
- 4 Feet** - adjustment range 10 mm

**Dimensions (mm)**