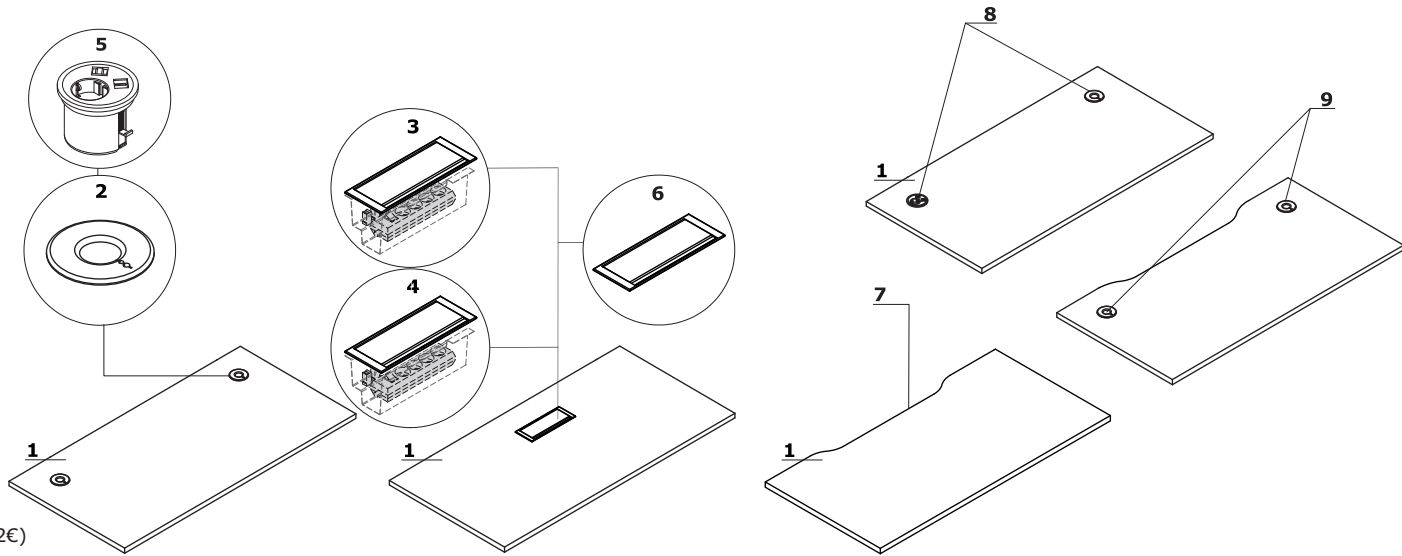


Platte

1 Platte - Melaminplatte 28 mm, Umleimer ABS 2mm

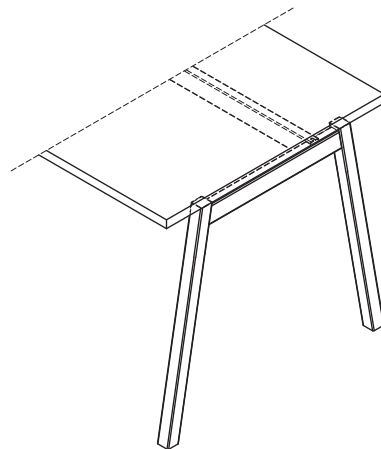
OPTION GEGEN AUFPREIS:

- 2 Kabeldurchlass** - 2 Stück, Ø 88 mm
- 3 Mediabox M14H** - Kunststoffgehäuse, 2xRJ45 (class E, cat. 6); + 1 x USB + 1 x HDMI + 4 x 230V; Größe: 305x155x150mm; Netzkabel 2000 mm
- 4 Mediabox M14** - Kunststoffgehäuse, 2xRJ45 (class E, cat. 6); + 1 x USB + 4 x 230V; Größe: 305x155x150mm; Netzkabel 2000 mm
- 5 Mediabox M071** - 1 x 230V + USB A charger + USB C charger, Farbe: schwarz, weiß, anstelle der vorhandenen Kabeldurchlasses Ø88mm (PK81) montiert
- 6 Top access M15** - Kunststoffgehäuse, Größe: 292x112x18mm
- 7 Kabelausschnitt** - die Breite der Öffnung ist zur Breite der Tischplatte proportional
- 8 Mediabox M071 + Kabeldurchlässe**
- 9 Kabelausschnitt + Kabeldurchlässe** - Einzelschreibtische (51€), Bench-Systeme (102€)



Frame

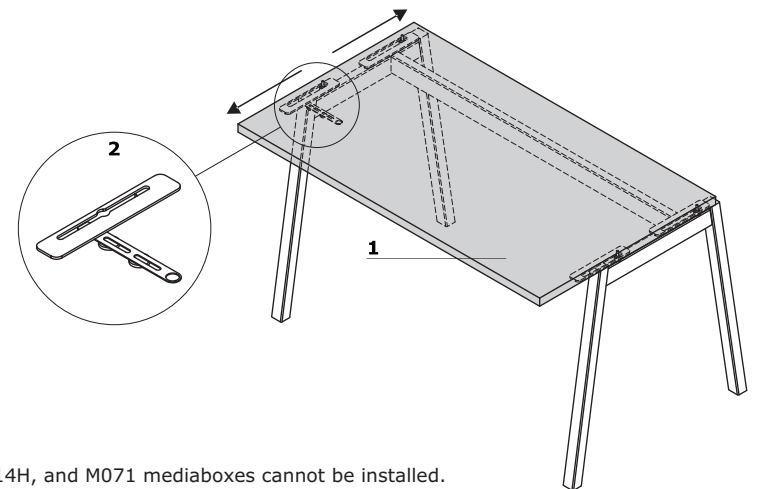
Ogi M - metal, powder coated, profile 40 x 40 mm, spacer 10 mm between top and frame



Attention - cable tray under the worktop is always in M009 - aluminium semi-matt colour; Leveling - 10 mm range.

Sliding top

- 1 Sliding top** - shifting range 141 mm
- 2 Tabletop sliding lock**

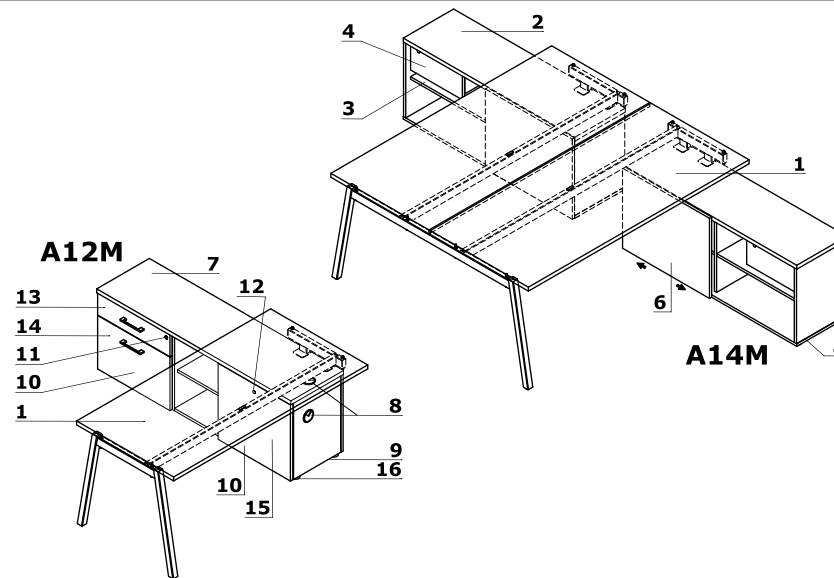


Note - M14, M14H, and M071 mediaboxes cannot be installed.

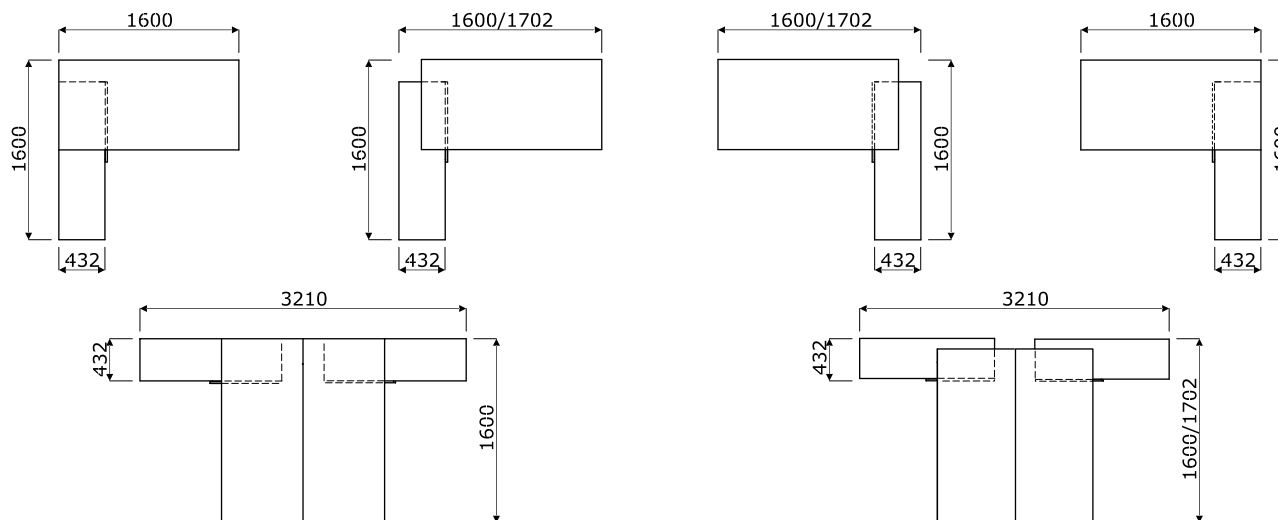
Desk with managerial storage

A14M:

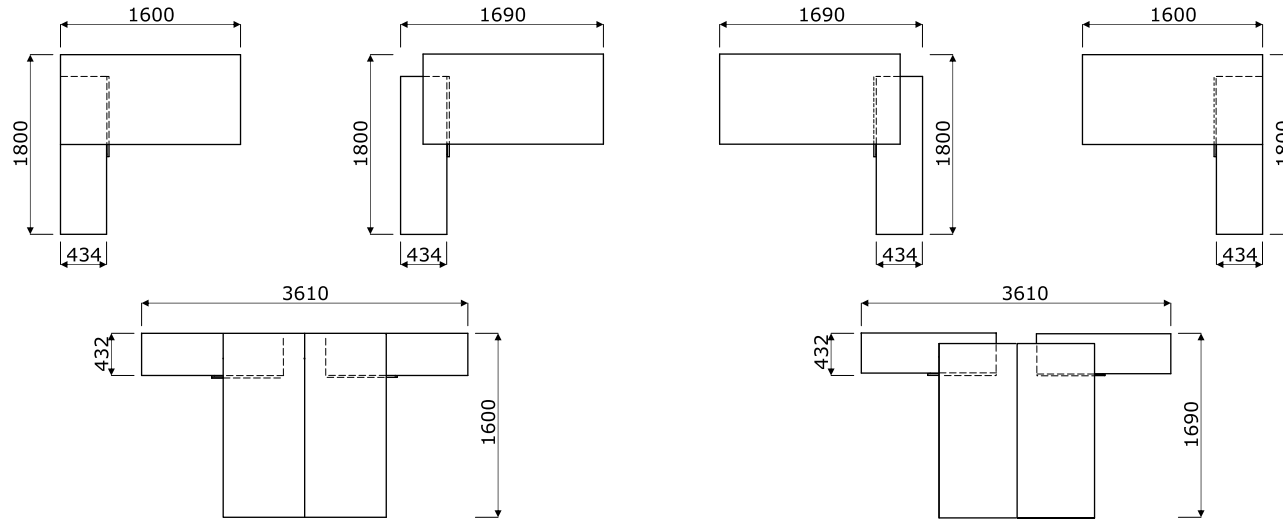
- 1 Worktop** - MFC 28 mm, ABS edge 2mm
 - 2 Top** - MFC 28 mm, ABS edge 2 mm
 - 3 Shelf** - MFC 18 mm, protection against accidental falling-out, ABS edge 2 mm, max load 30 kg
 - 4 Drawer** - MFC 18 mm, ABS edge 2 mm, patent lock - possible to change location
 - 5 Base** - MFC 18 mm, ABS edge 2 mm
 - 6 Front** - MFC 18 mm, ABS edge 2 mm
- A12M - OPTION WITH EXTRA CHARGE:**
- 7 Top** - MFC 28 mm, ABS edge 2 mm
 - 8 Cable grommets** - Ø80 mm
 - 9 Base** - MFC 18 mm, ABS edge 2 mm
 - 10 Front** - MFC 18 mm, ABS edge 2 mm
 - 11 Central lock** - foldable key
 - 12 Patent lock**
 - 13 Metal drawer** - roll runners, max load 25 kg, 80% extraction, anti-tilt mechanism
 - 14 Suspension files drawer** - with bottom, ball runners, max load 45 kg, 100% extraction, Push-to-Open
 - 15 Drawer with bottom** - ball runners, max. load 40 kg, 100 % extraction, push-to-open, enough space for computer
 - 16 Leveling feet** - range 5 mm



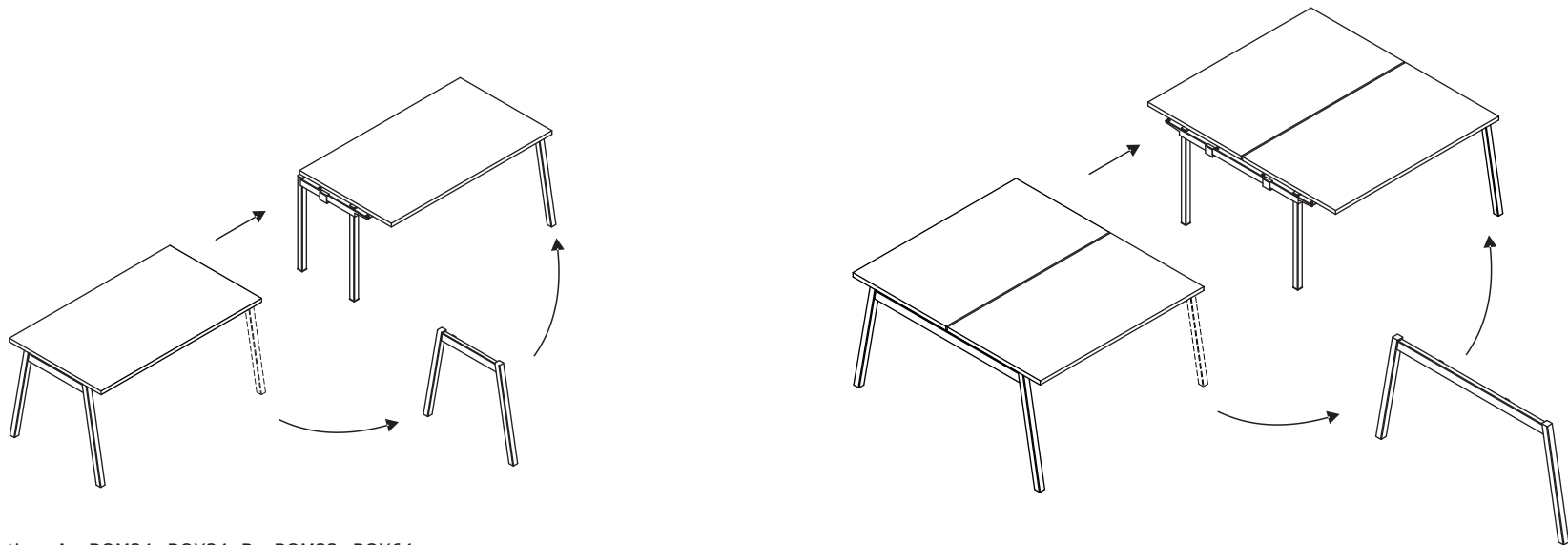
Configuration examples - desk with managerial storage - A14M (mm)



Configuration examples - desk with managerial storage - A12M (mm)



Expansion of single and bench desks



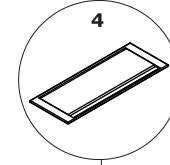
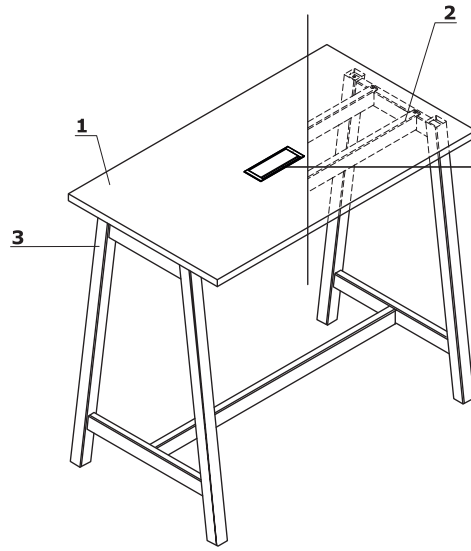
Example configuration: A - BOM24+BOX34, B - BOM33+BOX64

High tables

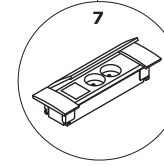
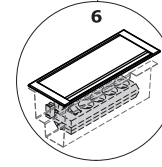
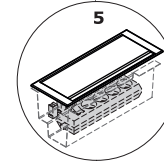
- 1 Worktop** - MFC 28 mm, ABS edge 2mm
- 2 Frame** - powder coated metal, profile 60x30 mm
- 3 Leg** - powder coated steel, 50 x 50 mm

OPTIONS WITH EXTRA CHARGE:

- 4 Top access M15** - plastic frame, dimensions: 292x112x18mm
- 5 Mediabox M14H** - plastic frame, 2xRJ45 (class E, cat. 6); + 1 x USB + 1 x HDMI + 4 x 230V; dimensions: 305x155x150mm; power cor 2000 mm
- 6 Mediabox M14** - plastic frame, 2xRJ45 (class E, cat. 6); + 1 x USB + 4 x 230V; dimensions: 305x155x150mm; power cor 2000 mm
- 7 Mediabox M06H** - OPTION WITH ADDITIONAL CHARGE - 2x230V+HDMI+USB, colour: anodised aluminium, white, black



2 x RJ45
1 x HDMI
1 x USB



1 x HDMI
1 x USB