

## Worktop

**1 Worktop** - MFC 28 mm, ABS edge 2mm

### OPTIONS WITH EXTRA CHARGE:

**2 Grommet** - 2 pcs, Ø 88 mm

**3 Mediabox M14H** - plastic frame, 2xRJ45 (class E, cat. 6); + 1 x USB + 1 x HDMI + 4 x 230V; dimensions: 305x155x150mm; power cor 2000 mm

**4 Mediabox M14** - plastic frame, 2xRJ45 (class E, cat. 6); + 1 x USB + 4 x 230V; dimensions: 305x155x150mm; power cor 2000 mm

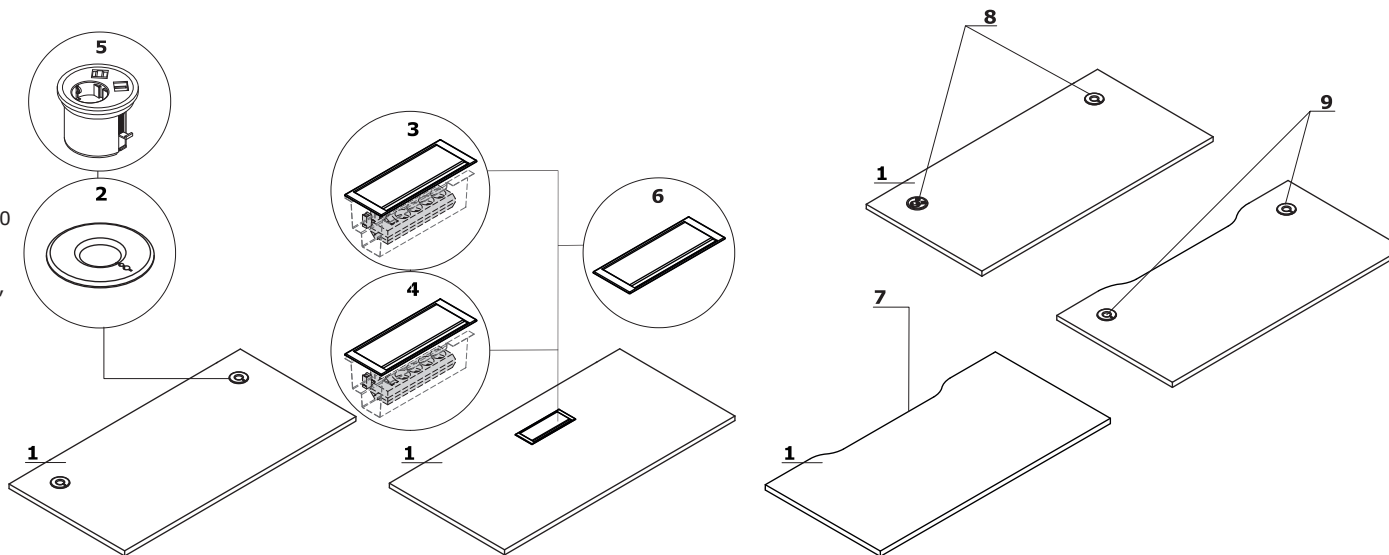
**5 Mediabox M071** - 1 x 230V + USB A charger + USB C charger, colour: black, white, mounted instead of the existing grommet Ø88mm (PK81)

**6 Top access M15** - plastic frame, dimensions: 292x112x18mm

**7 Cable way** - the width of the opening is proportional to the width of the worktop

**8 Mediabox M071 + cable grommets**

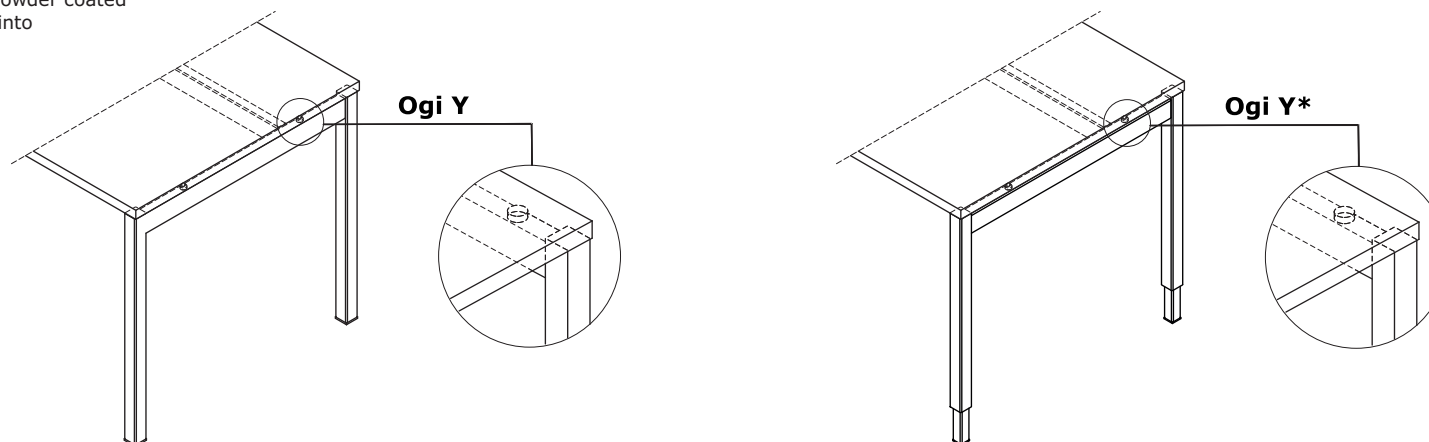
**9 Cable way + cable grommets** - desks (51€), bench desks (102€)



## Frame

**Ogi Y** - powder coated steel, profile 40x40 mm, spacer 10 mm between top and frame

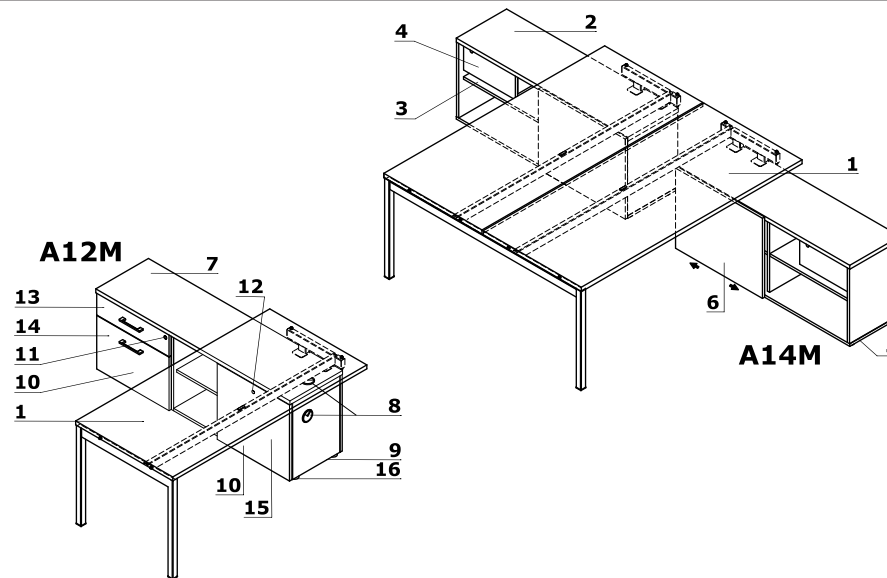
**Ogi Y\*** - with manual height adjustment 640-860 mm, every 20 mm\*, powder coated steel, telescopic profile: 30x30 into 40x40 mm



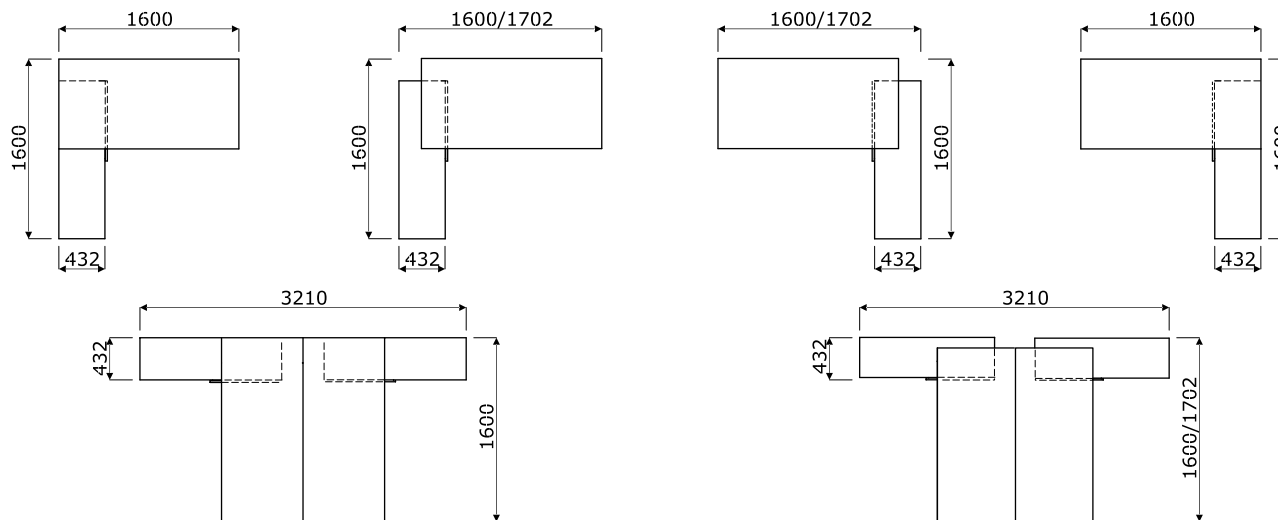
### Desk with managerial storage

**A14M:**

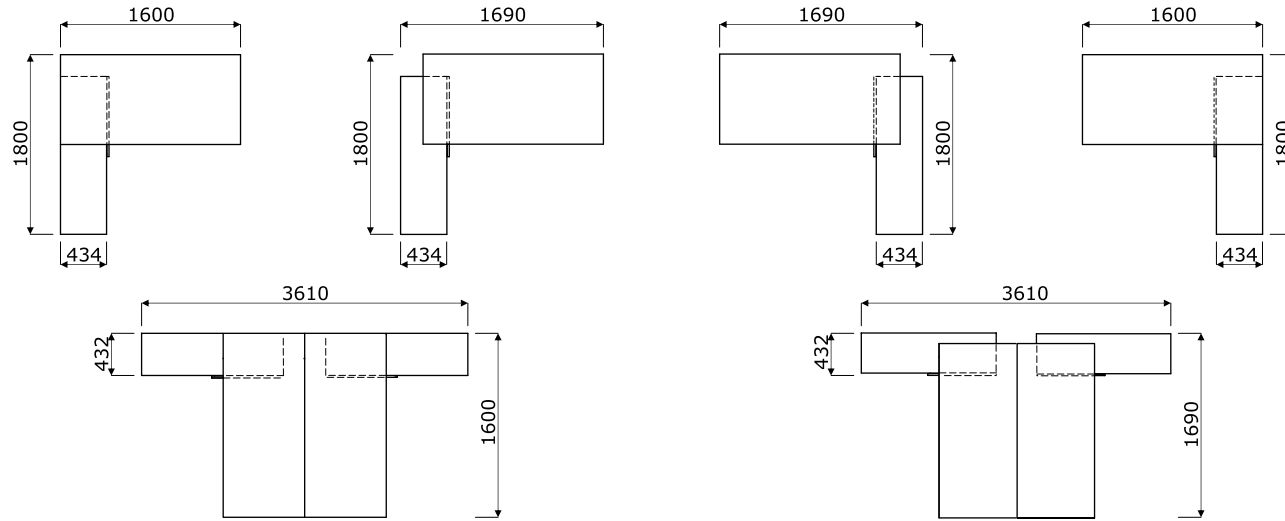
- 1 Worktop** - MFC 28 mm, ABS edge 2mm
- 2 Top** - MFC 28 mm, ABS edge 2 mm
- 3 Shelf** - MFC 18 mm, protection against accidental falling-out, ABS edge 2 mm, max load 30 kg
- 4 Drawer** - MFC 18 mm, ABS edge 2 mm, patent lock - possible to change location
- 5 Base** - MFC 18 mm, ABS edge 2 mm
- 6 Front** - MFC 18 mm, ABS edge 2 mm
- A12M - OPTION WITH EXTRA CHARGE:**
- 7 Top** - MFC 28 mm, ABS edge 2 mm
- 8 Cable grommets** - Ø80 mm
- 9 Base** - MFC 18 mm, ABS edge 2 mm
- 10 Front** - MFC 18 mm + HPL
- 11 Central lock** - foldable key
- 12 Patent lock**
- 13 Metal drawer** - roll runners, max load 25 kg, 80% extraction, anti-tilt mechanism
- 14 Suspension files drawer** - with bottom, ball runners, max load 45 kg, 100% extraction, Push-to-Open
- 15 Drawer with bottom** - ball runners, max. load 40 kg, 100 % extraction, push-to-open, enough space for computer
- 16 Leveling feet** - range 5 mm



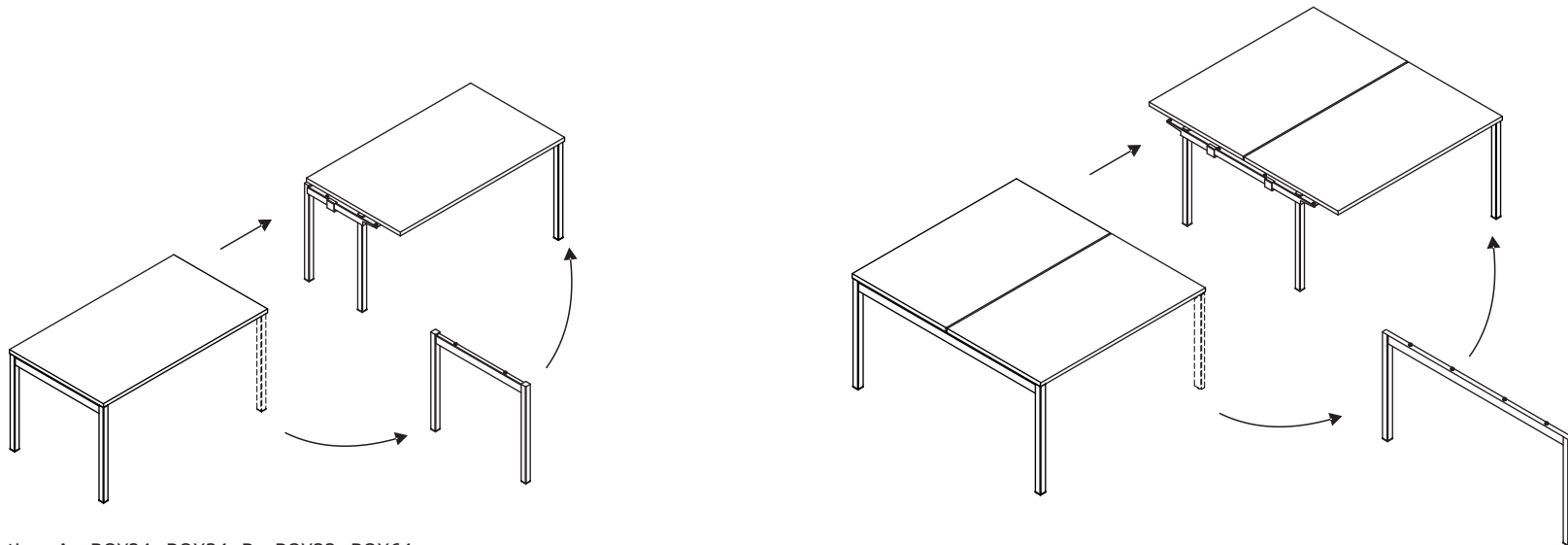
### Configuration examples - desk with managerial storage - A14M (mm)



### Configuration examples - desk with managerial storage - A12M (mm)



### Expansion of single and bench desks



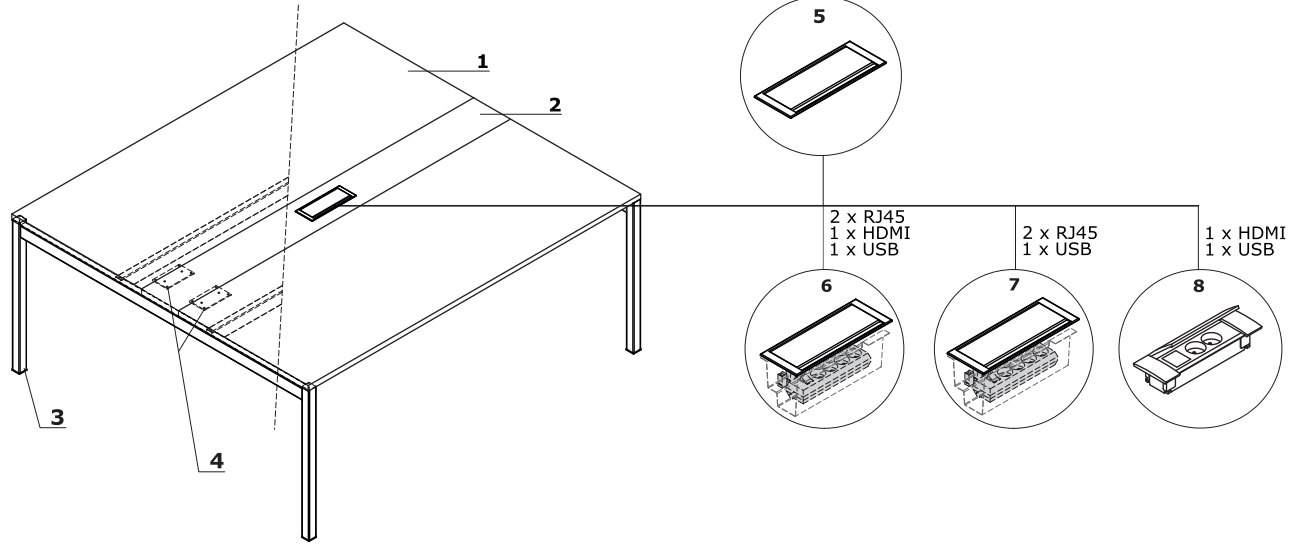
Example configuration: A - BOY24+BOX34, B - BOY33+BOX64

### Conference table

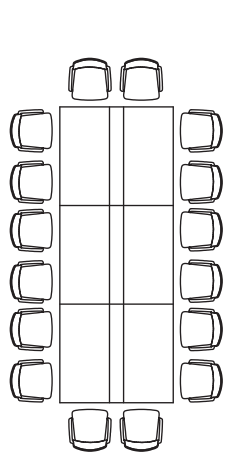
- 1 Worktop** - MFC 28 mm, ABS edge 2mm
- 2 MFC element** - without mediabox as standard
- 3 Leg** - powder coated steel, profile 40x40 mm
- 4 Fixing flat bar**

**OPTIONS WITH EXTRA CHARGE:**

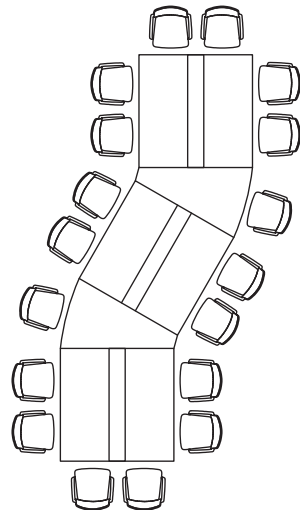
- 5 Top access M15** - plastic frame, dimensions: 292x112x18mm
- 6 Mediabox M14H** - plastic frame, 2xRJ45 (class E, cat. 6); + 1 x USB + 1 x HDMI + 4 x 230V; dimensions: 305x155x150mm; power cor 2000 mm
- 7 Mediabox M14** - plastic frame, 2xRJ45 (class E, cat. 6); + 1 x USB + 4 x 230V; dimensions: 305x155x150mm; power cor 2000 mm
- 8 Mediabox M06H** - OPTION WITH ADDITIONAL CHARGE - 2x230V+HDMI+USB, colour: anodised aluminium, white, black



### Chairs arrangement



SY04 + 2x SY14



3x SY24 + 2x BOX50