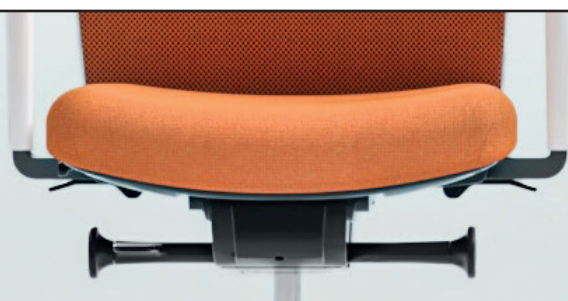


# SURF task chair

User Manual



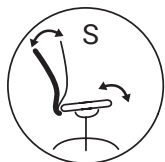
*2D (two directions) adjustable armrests*  
*3D (three directions) adjustable armrests*



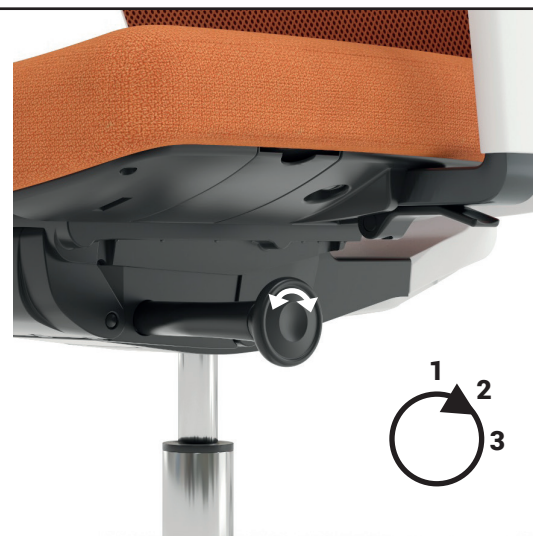
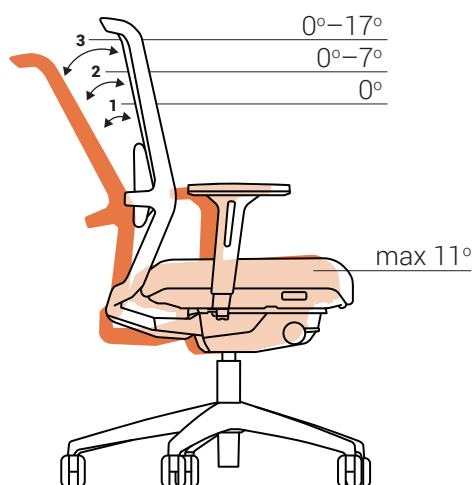
Synchro mechanism with  
backrest travel limitation



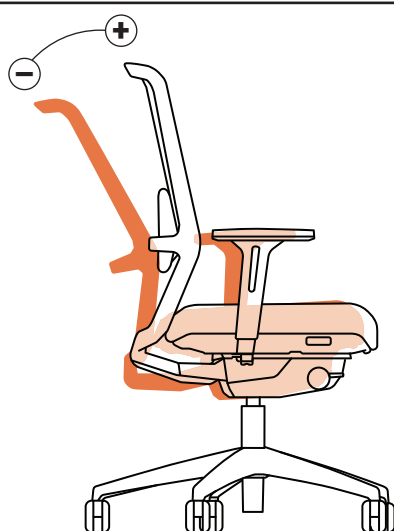
Synchro mechanism with  
backrest locking



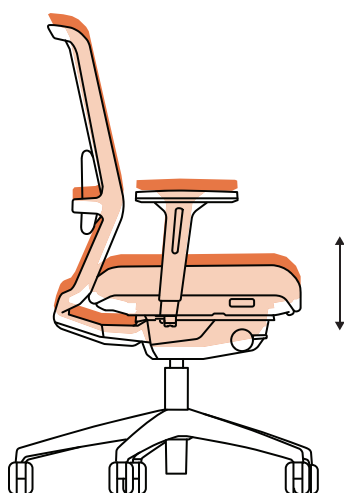
## Synchro mechanism with BACKREST TRAVEL LIMITATION



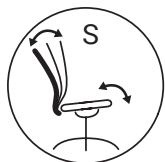
Backrest travel limited to 3 positions with back lock in the upright position



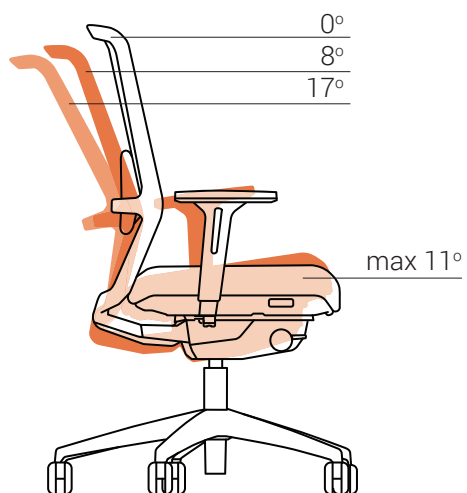
Tilt tension adjustment



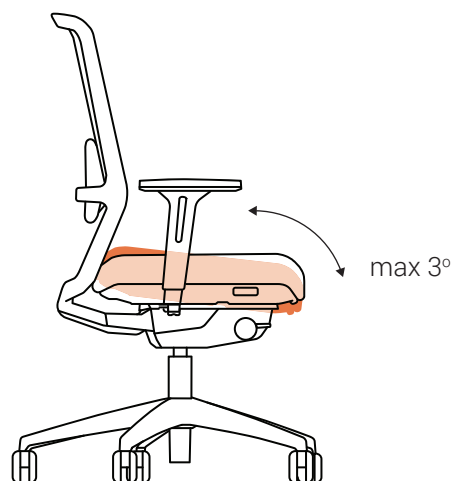
Seat height adjustment



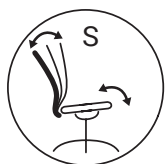
## Synchro mechanism with BACKREST LOCKING



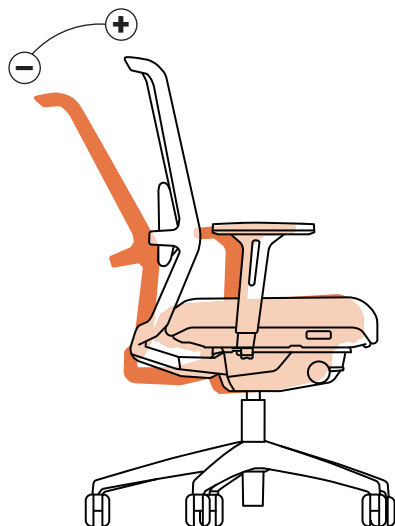
Backrest locked in 3 positions



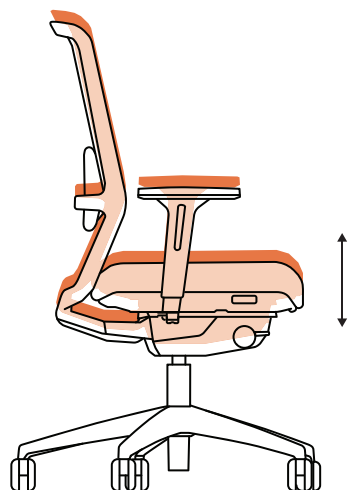
Negative seat tilt



## Synchro mechanism with BACKREST LOCKING

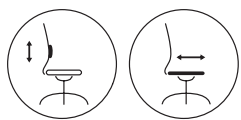


Tilt tension adjustment

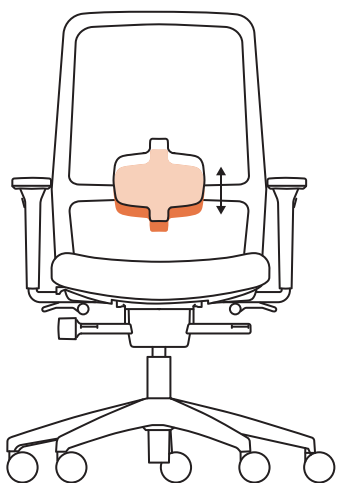


Seat height adjustment

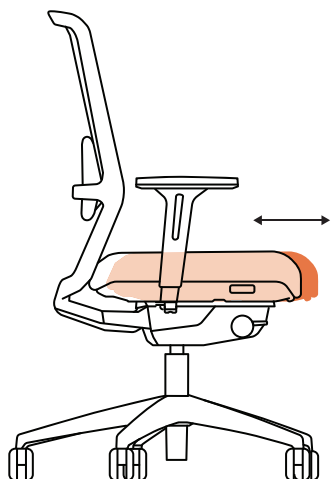




## General adjustments

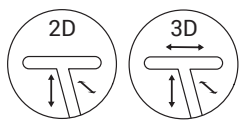


Height-adjustable lumbar support

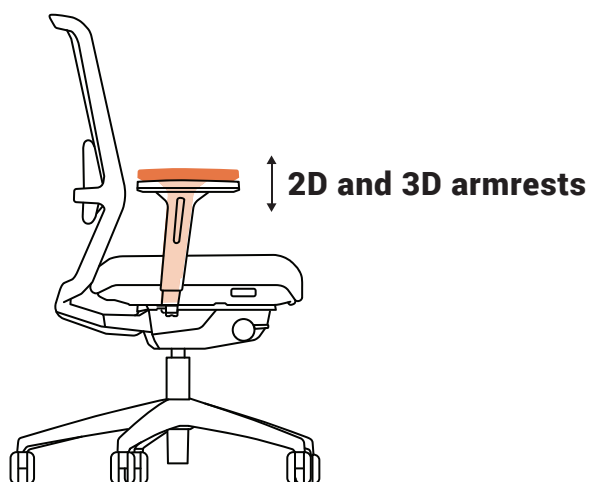


Depth-adjustable seat

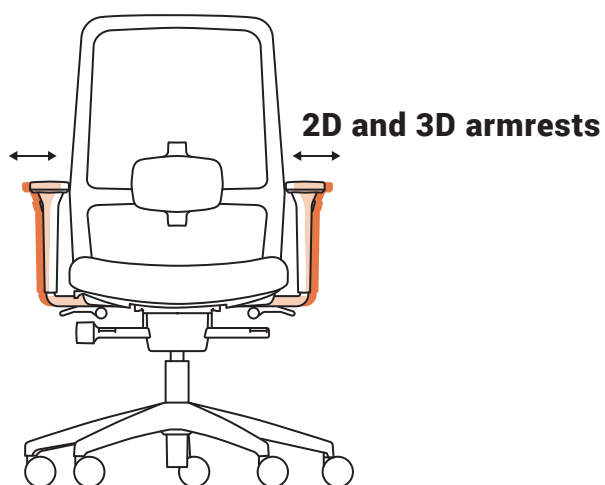




## Adjustable armrests



Height adjustment at armrest carrier



Width adjustment at armrest carrier



Depth adjustment of the pad