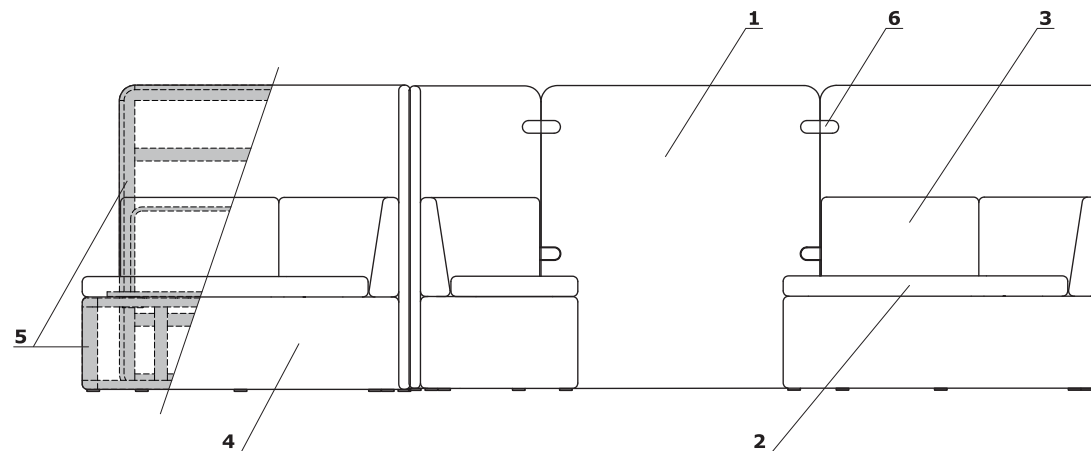


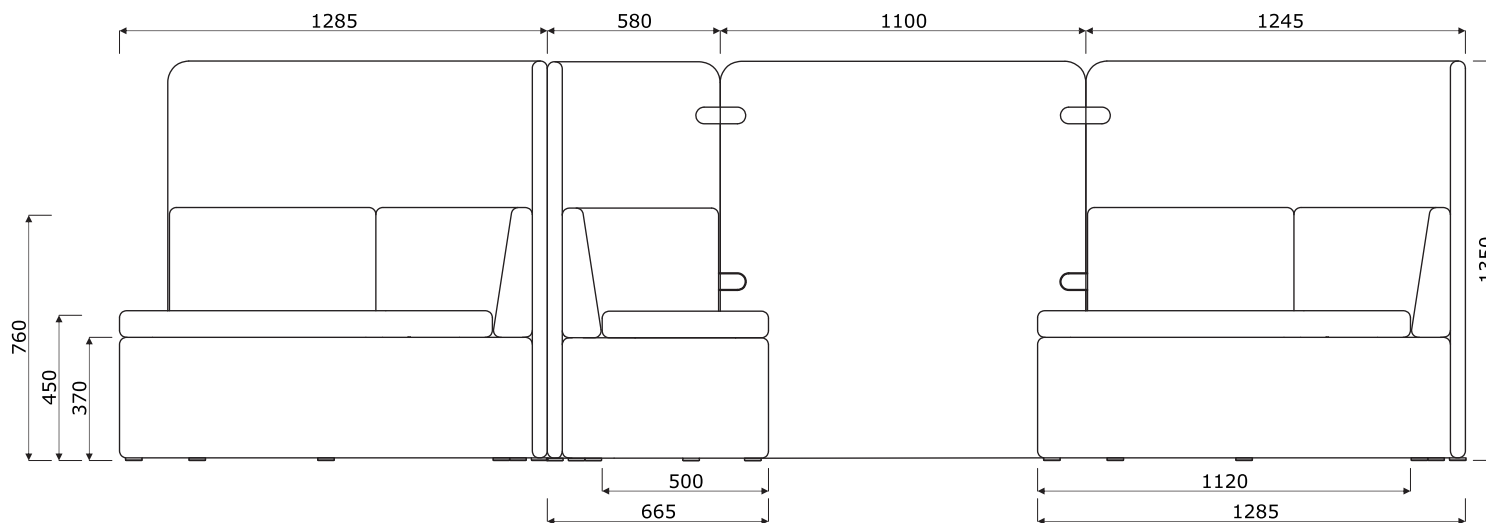
Technical specification

- 1 **Screen** - wooden frame, upholstered
- 2 **Seat** - cut foam, density of 55 kg/m³, upholstered
- 3 **Backrest** - plywood covered with foam, density of 55 kg/m³, upholstered
- 4 **Base** - cube, wooden frame, upholstered
- 5 **Wooden frame**
- 6 **Connecting element** - powder coated steel ,included, 4 pcs/ screen



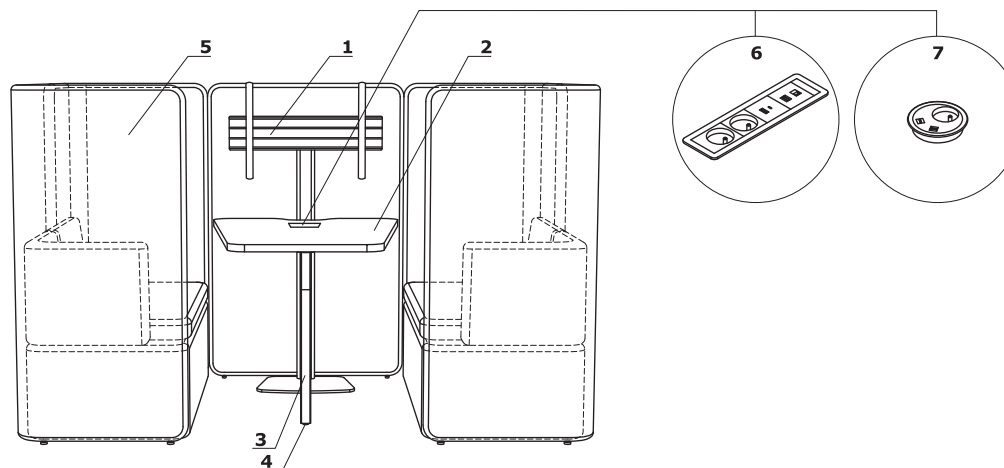
- max. load 120 kg

Dimensions (mm)



Meeting cubicles

- 1 **TV stand** - steel, base made of tempered glass, colour: black; TV max. 26"-65" weighing up to 40kg; VESA mount, rotation (left/right) -25°/+25°; height adjustment from 108-128 cm; with cable concealment system and protection against accidental dropping of the TV;
- 2 **Worktop** - MFC 28 mm, ABS edge 2mm
- 3 **Natural wood** - ash, with metal element, powder coated, coated with transparent varnish, profile 40 × 40 mm, spacer 10 mm between top and frame
- 4 **Leveling** - 10 mm range
- 5 **Screen** - wooden frame, upholstered
- OPTION WITH EXTRA CHARGE:**
- 6 **Mediabox M11** - colour: black, white; 2x230V + USB A charger/ USB C charger + HDMI/RJ45
- 7 **Mediabox M071** - colour: black, white; 230V + USB A charger + USB C



Meeting cubicles - dimensions (mm)

