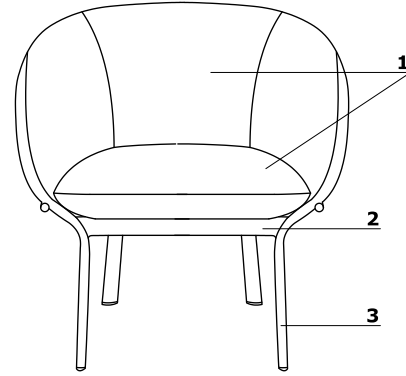


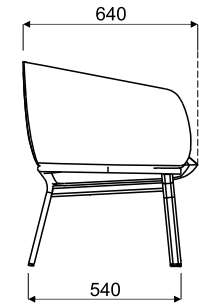
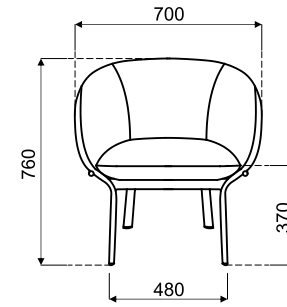
Technical specification

- 1 Seat, backrest** - moulded foam, density of 65 kg/m³, upholstered
- 2 Base** - oval-shaped profile 40 × 20 × 2 mm, tube Ø22 mm, wall thickness 2 mm, CNC-bent, powder coated
- 3 Legs** - finished with material feet, colour: black

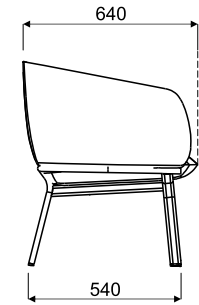
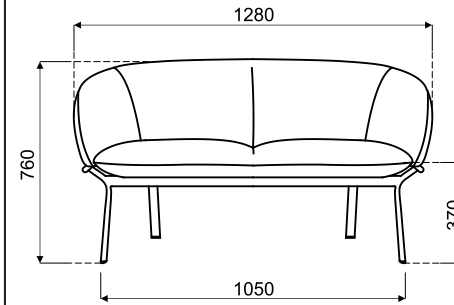


- max. load 120 kg

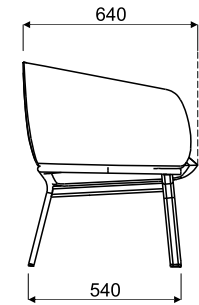
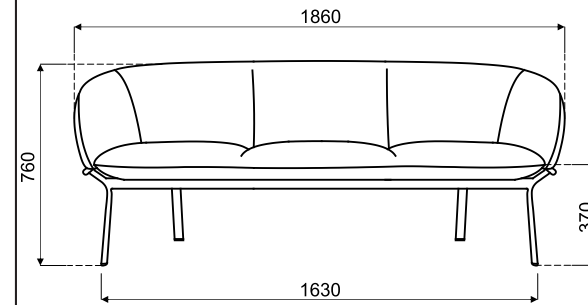
Dimensions (mm)



GR01



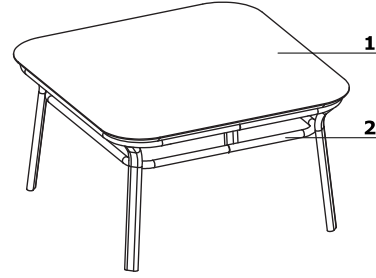
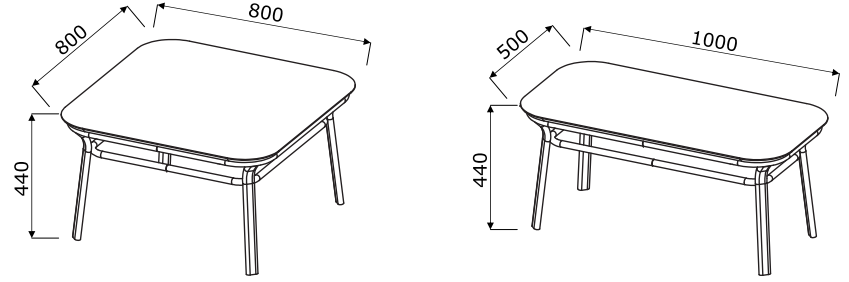
GR02



GR03

Technical specification - tables

- 1 Top** - MDF 19mm, natural veneer
- 2 Frame** - oval-shaped profile 40 × 20 × 2 mm, tube Ø22 mm, wall thickness 2 mm, CNC-bent, powder coated

**Dimensions (mm)**

Chairs - bases

Seat, backrest - moulded foam (seat - density of 58 kg/m³, backrest - density of 60 kg/m³), upholstered

Base GRP19:

- 4 - star, aluminum, powder coated
- swivel seat - 360°
- aluminium cast
- legs finished with polypropylene feet
- OPTION WITH EXTRA CHARGE - polished aluminium

Base GRP19K:

- 4 - star, aluminum, powder coated
- swivel seat - 360°
- aluminium cast
- castors for soft floors
- OPTION WITH EXTRA CHARGE - castors for hard floors
- OPTION WITH EXTRA CHARGE - polished aluminium

Base GRP5:

- 4 - legged, metal, powder coated
- legs made of tube Ø18 mm
- legs finished with polypropylene feet

Base GRP10:

- wooden legs - screw-in, Ø38 mm
- beechwood coated with transparent varnish

GRP22:

- 5 - star, aluminum, Ø=630 mm, h=360 mm, powder coated
- swivel seat - 360°
- tilt mechanism with a lock
- gas spring, steel, colour: black, adjustment range 120 mm (450 - 570 mm)
- castors for soft floors
- OPTION WITH EXTRA CHARGE - castors for hard floors

GRP19



GRP19K



GRP5



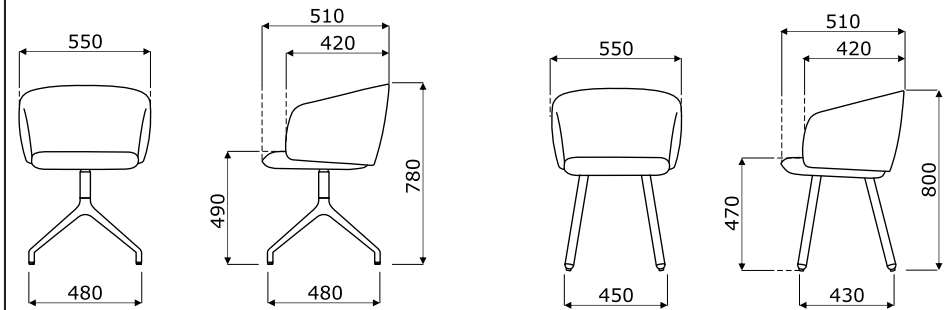
GRP10



GRP22

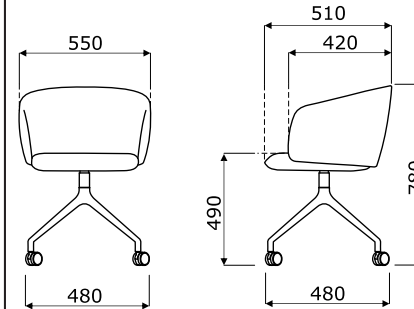


Dimensions (mm)

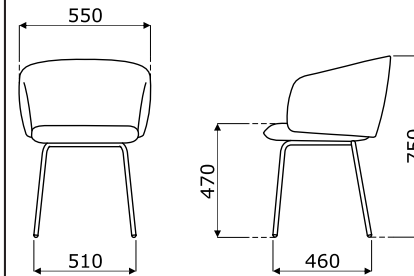


GRP19

GRP10



GRP19K



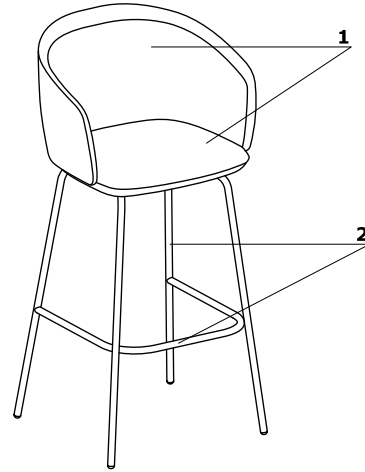
GRP5

Technical specification - high stool

1 Seat, backrest - moulded foam (seat - density of 58 kg/m³, backrest - density of 60 kg/m³), upholstered

2 Base:

- 4 - legged, metal, powder coated
- legs made of tube Ø18 mm
- legs with glides

**Dimensions (mm) - high stool**