

SPECIFICATION

Range: **GIOTTO LUX**
Design: **Sezgin Aksu**

“Snowsound Technology” sound-absorbing element suspended from the ceiling with cables. Lighting element included.

Panel description:

Both faces with convex section 36 mm thick, consisting of an internal padding in variable density polyester fiber. The density decreases moving towards the heart of the panel, which is covered on both sides with Trevira CS® polyester fabric, solidly applied to the padding. The panel is double sided, with same characteristics on both sides. It is characterized by the rigid edge obtained by the manufacturing process itself, without any supporting and/or stiffening frame.

The panel has **Euroclass B-s2, d0** fire reaction.

The panel is **Greenguard Gold** certified, which validates its low VOC emission and its contribution to the quality of the indoor environment.

The panel is **100% recyclable** and has no detectable formaldehyde content according to UNI EN 717-2. It does not contain felts or other organic materials that are hardly recyclable.

The panel has been tested in reverberation chamber according to UNI EN ISO 354 and obtained “**Acoustic Absorption Class A**”, in accordance with UNI EN ISO 11654.

Lighting element description:

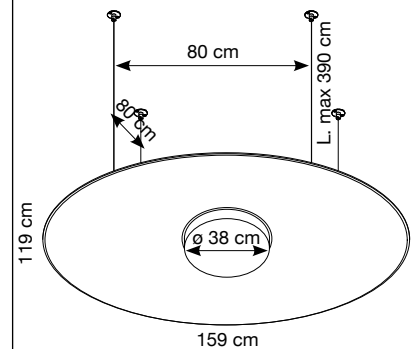
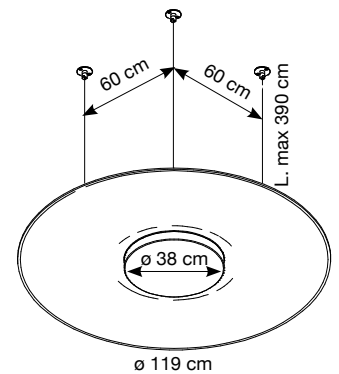
The lighting element is composed of: a satin-finished polyethylene diffuser in the lower part of the panel and a lamp made of epoxy powder-coated aluminium at the top, which is fixed directly to the panel with self-tapping screws. The two elements connect together passing through the central hole of the panel itself.

(For the lighting technical characteristics of the lamps, please consult the card ST.008S-2)

Fixing kit description:

The panel is equipped at the top with a hexagonal stiffening frame made of galvanized tubular steel with rectangular section 40x10mm. It is fixed directly to the panel using self-tapping screws. The chassis features cylindrical elements $\varnothing 10$ mm that allow precise height adjustment of the cables by means of a pressure system with safety lock. They connect to two steel cables $\varnothing 1.5$ mm and two circular chromed steel plates $\varnothing 40$ mm equipped with two holes for anchoring screws to the ceiling.

The products described in this data sheet are **CE marked**.



Available colors:

0001



White

8004



Silver grey

1008



Beige

4030



Carrot orange

