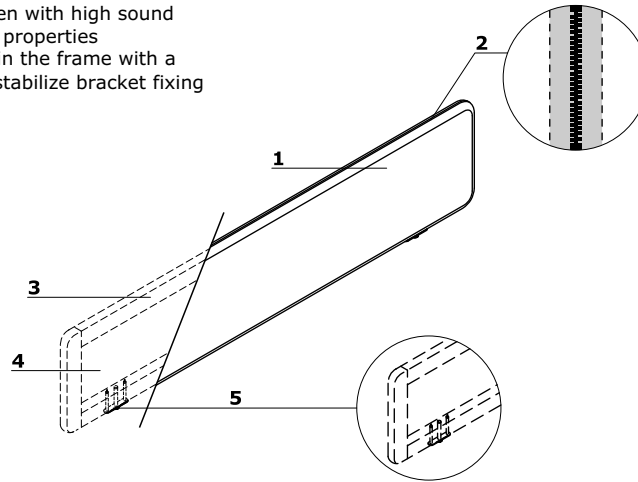


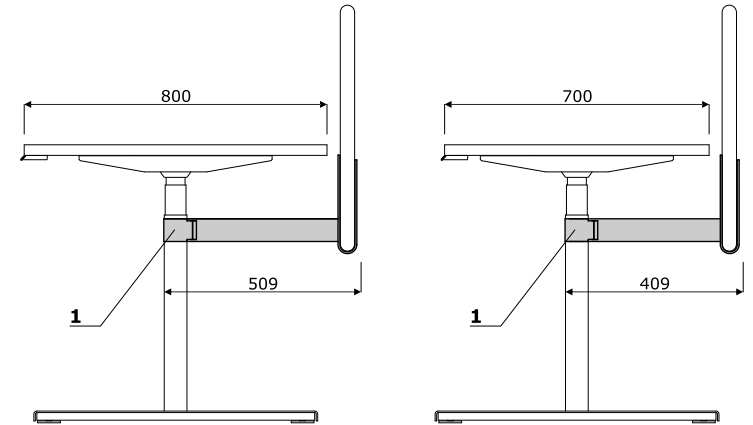
Desktop screens - for single and bench desks

- 1 **Sonic screens** - upholstered, acoustic class A, pinable
- 2 **Zip fastener**
- 3 **Frame** - glued solid wood structure
- 4 **Filling** - acoustic nonwoven with high sound absorption and dispersion properties
- 5 **Steel bracket** - situated in the frame with a machine screw thread to stabilize bracket fixing (concerns desk screens)



Ogi Drive handle - dimensions (mm)

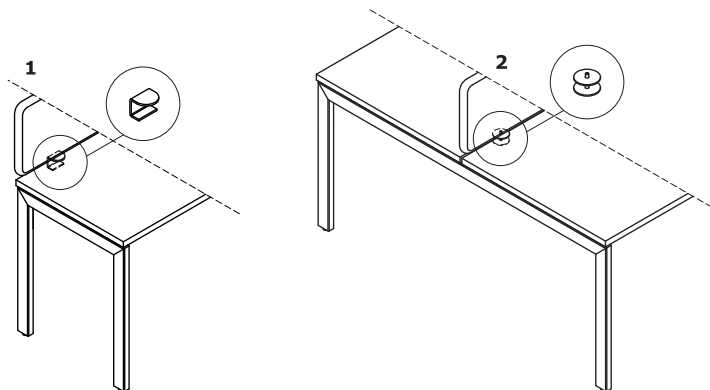
- 1 **Ogi Drive screen bracket** - an option with extra charge; mountable to the frame; powder-coated metal, 60x60mm profile



Caution - Ogi Drive screen bracket does not allow for pairing with screens equipped with accessories rail.

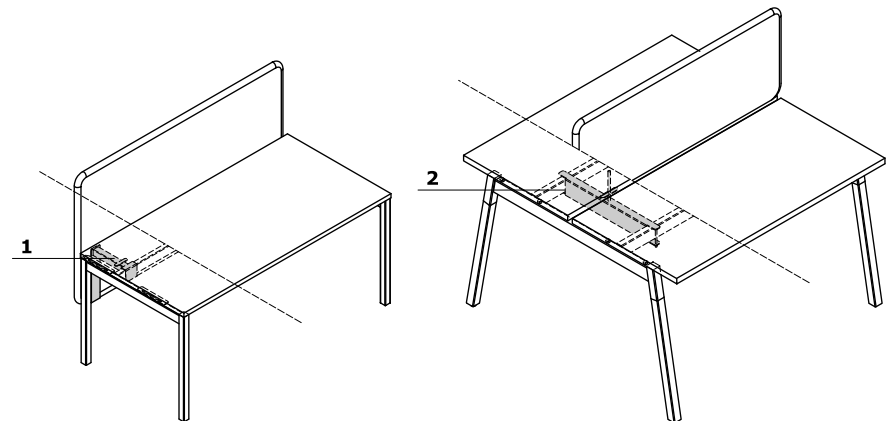
Screen fixings

- 1 **Ogi** - panel fixing for single desks (OPTION WITH EXTRA CHARGE); suitable for mounting to 16-30mm thick worktops
- 2 **Ogi** - brackets for benches included; powder-coated steel; suitable for mounting to 16-30mm thick worktops



Screen brackets for sliding top desks

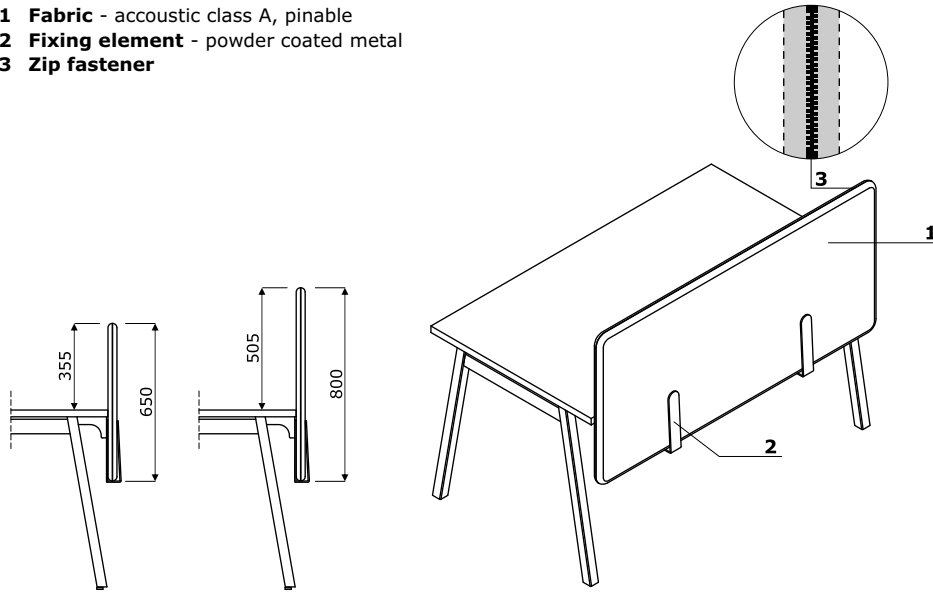
- 1 **Single desk bracket** - mountable to the metal beam
- 2 **Brackets for benches** - mountable to the metal beam



Attention - the screen should be mounted before the worktop assembly.

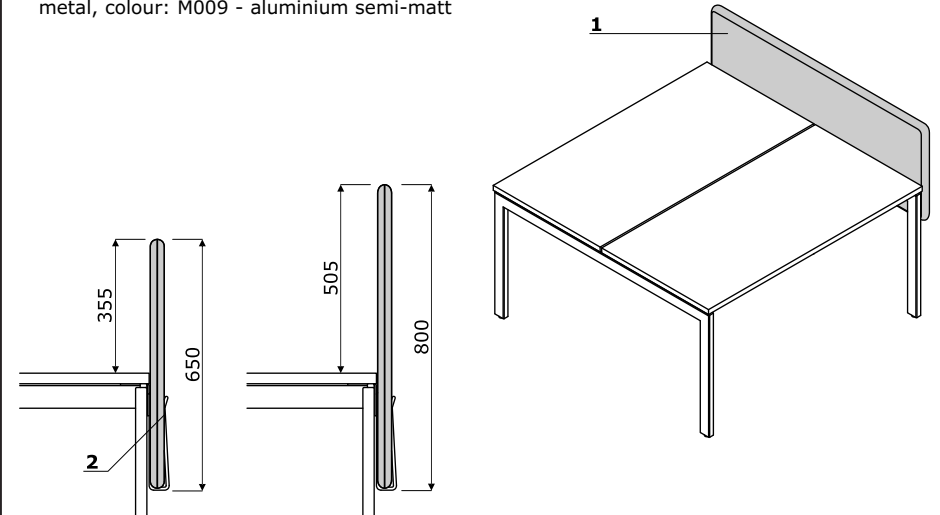
Desktop screens - for single desks

- 1 Fabric** - acoustic class A, pinable
- 2 Fixing element** - powder coated metal
- 3 Zip fastener**



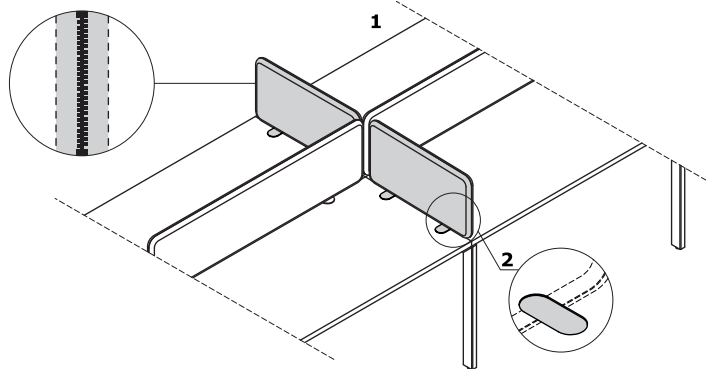
Side screens - for single and bench desks

- 1 Sonic screens** - acoustic class A, zip fastener, pinable
- 2 Fixing for side panels** - powder coated metal, colour: M009 - aluminium semi-matt



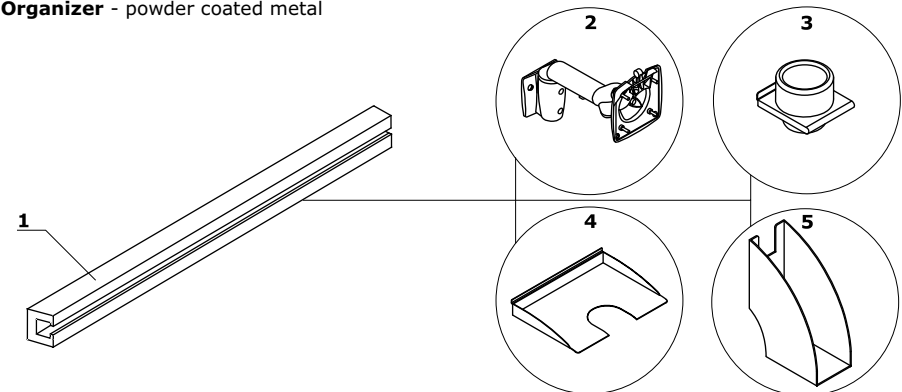
Partition screens - for bench desks

- 1 Sonic screens** - acoustic class A, pinnable, zip colour - graphite
- 2 Side screen fixings for Ogi desks** - foot 2 pcs



Accessories for function rail

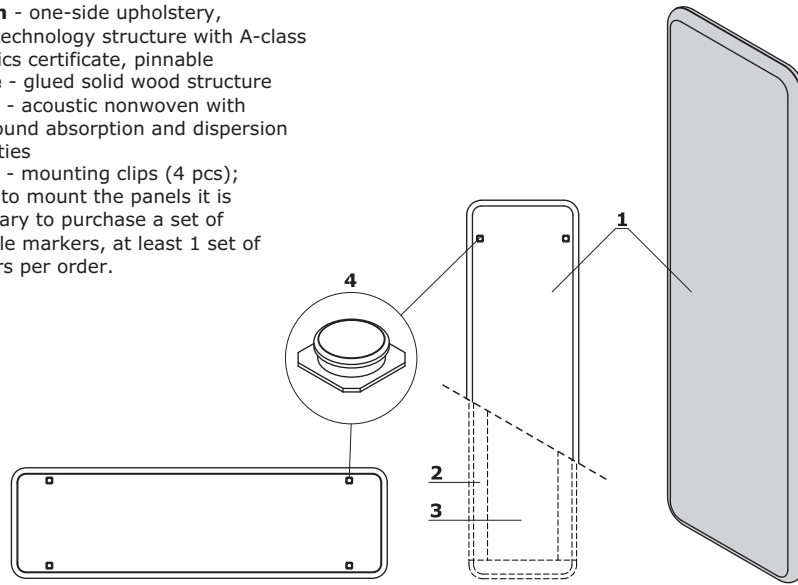
- 1 Accessories rail** - max load: 3.5 kg per point, 7 kg per side
- 2 Monitor holder** - powder coated steel, colour: M009 - aluminium semi-matt
- 3 Pencil case** - powder coated steel
- 4 Shelf** - A4 size, powder coated steel
- 5 Organizer** - powder coated metal



ATTENTION: Only accessories from .mdd offer can be mounted

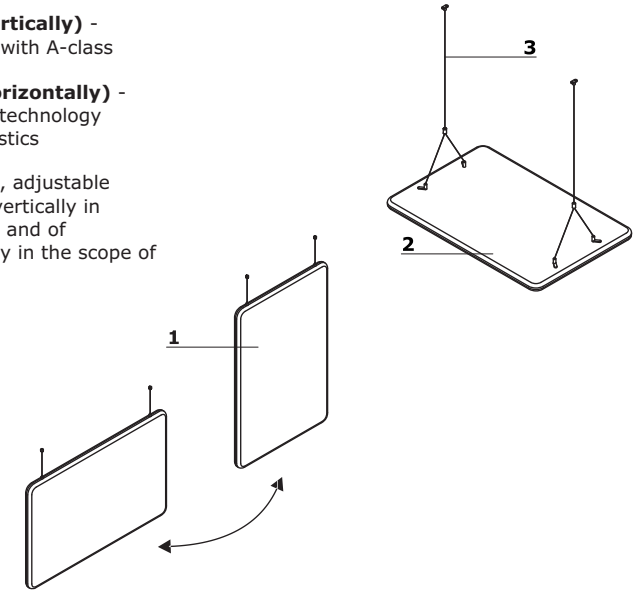
Sonic - Wall-mounted acoustic screen

- 1 Screen** - one-side upholstery, Sonic technology structure with A-class acoustics certificate, pinnable
- 2 Frame** - glued solid wood structure
- 3 Filling** - acoustic nonwoven with high sound absorption and dispersion properties
- 4 Fixing** - mounting clips (4 pcs);
Note - to mount the panels it is necessary to purchase a set of reusable markers, at least 1 set of markers per order.



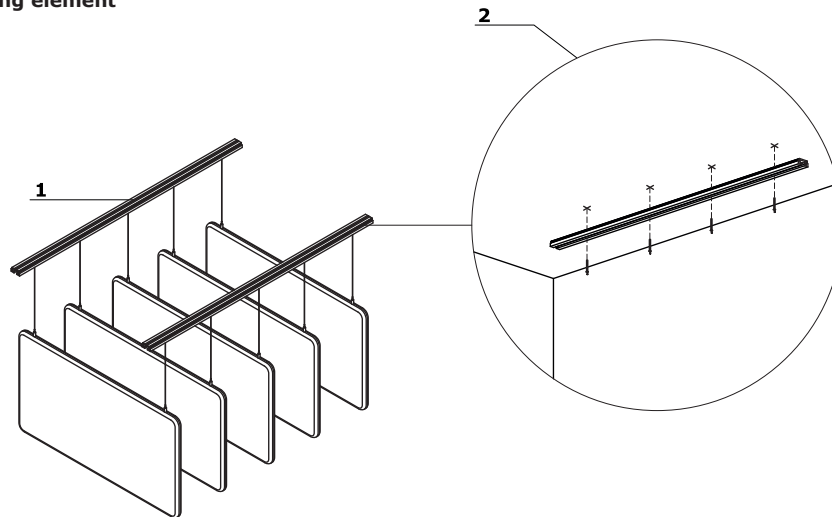
Sonic - ceiling acoustic screen

- 1 Ceiling screens (fixed vertically)** - Sonic technology structure with A-class acoustics certificate
- 2 Ceiling screens (fixed horizontally)** - one-side upholstery, Sonic technology structure with A-class acoustics certificate
- 3 Wire rope** - stainless steel, adjustable length of screens hanging vertically in the scope of 100 - 900 mm and of screens hanging horizontally in the scope of 200 - 1400 mm.



Sonic - ceiling screen – rail for hanging screens

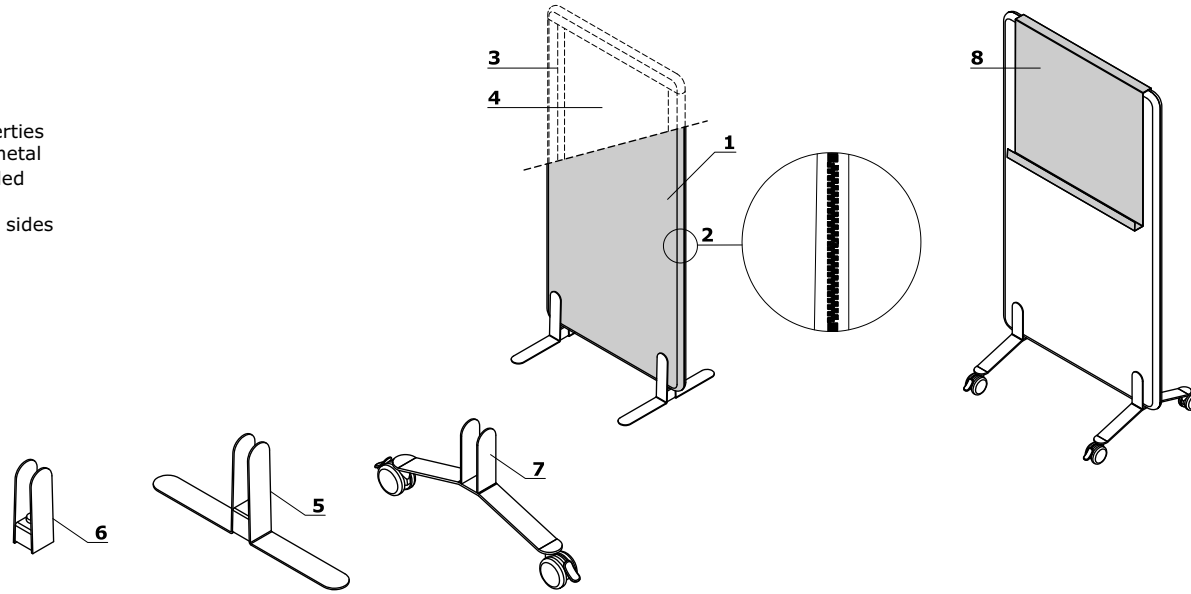
- 1 Joining rail** - aluminium, 2 units
- 2 Fixing element**



ATTENTION - rawplugs for concrete ceilings with ITB approval – A1 fire resistance.

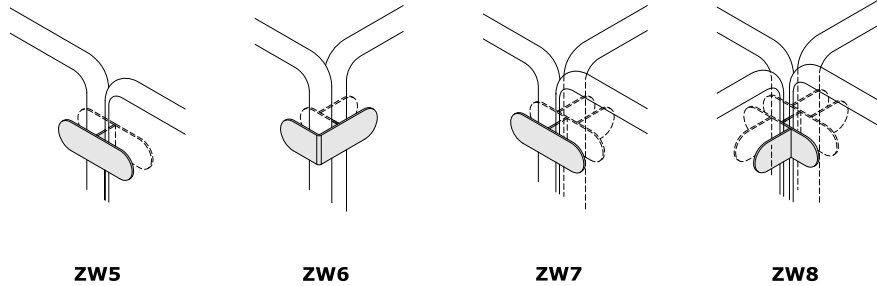
Freestanding screens

- 1 Screen** - acoustic class A, upholstered; pinnable
- 2 Zip fastener**
- 3 Frame** - glued solid wood structure
- 4 Filling** - acoustic nonwoven with high sound absorption and dispersion properties
- 5 Freestanding feet** - powder coated metal
- 6 Spacer** - powder coated metal; intended for use in screens situated between desks or other solid support from both sides
- 7 Wheels with brake** - Ø65 mm
- 8 Magnetic dry - wipe whiteboard**



Sonic - connecting element for free standing screens

- 1 Connector** - powder-coated steel



Dimensions (mm)

