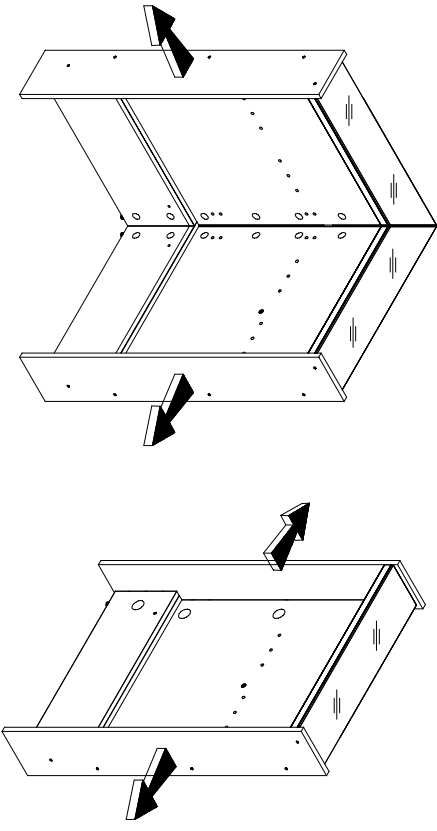
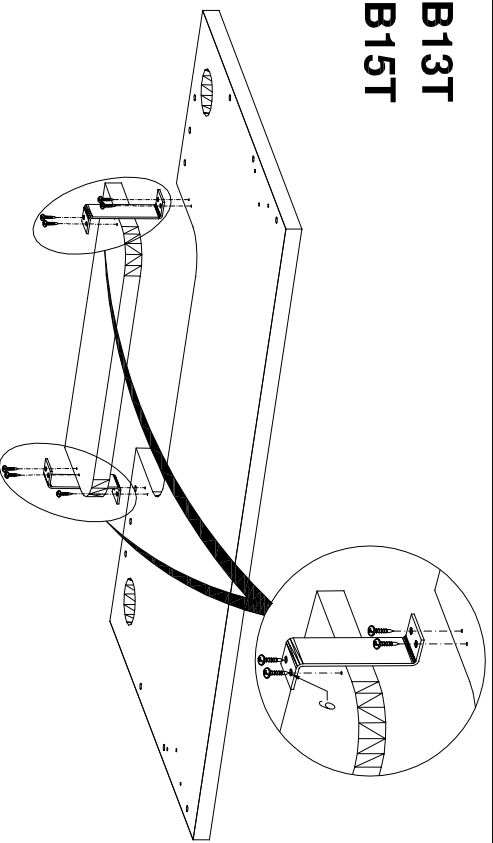


1	
2	
4	
5	
6	
7	
8	
9	

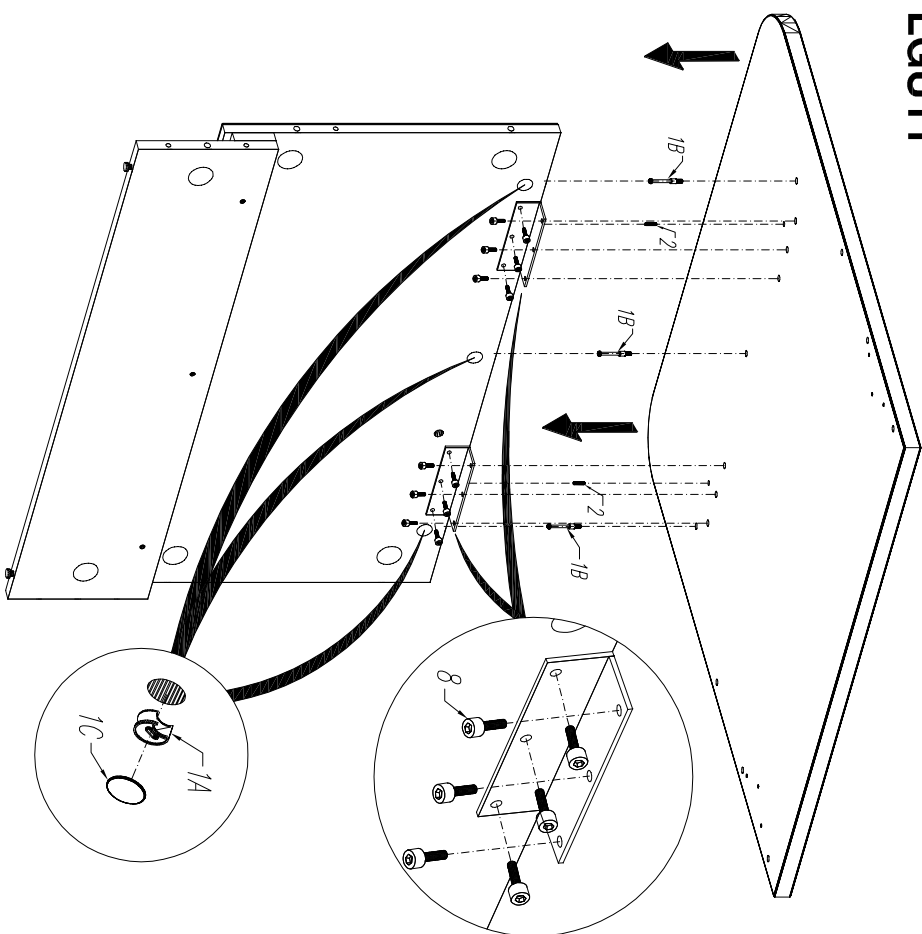


LGB13T
LGB15T

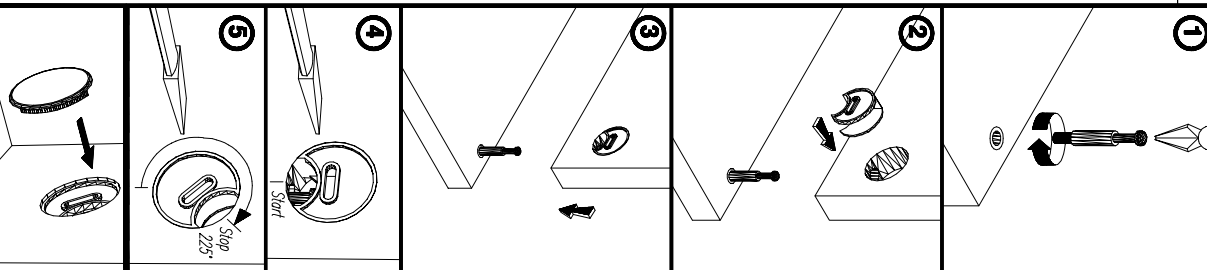


	LG...

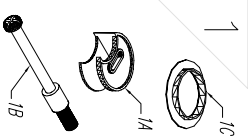
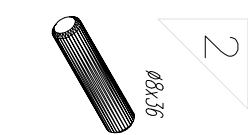
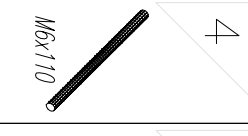
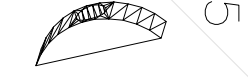
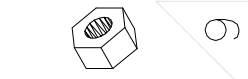
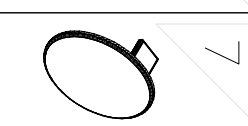
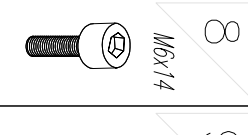
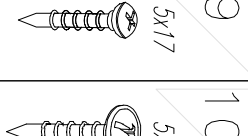
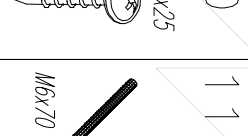
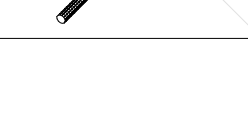
LGU11

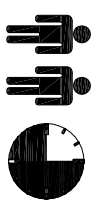
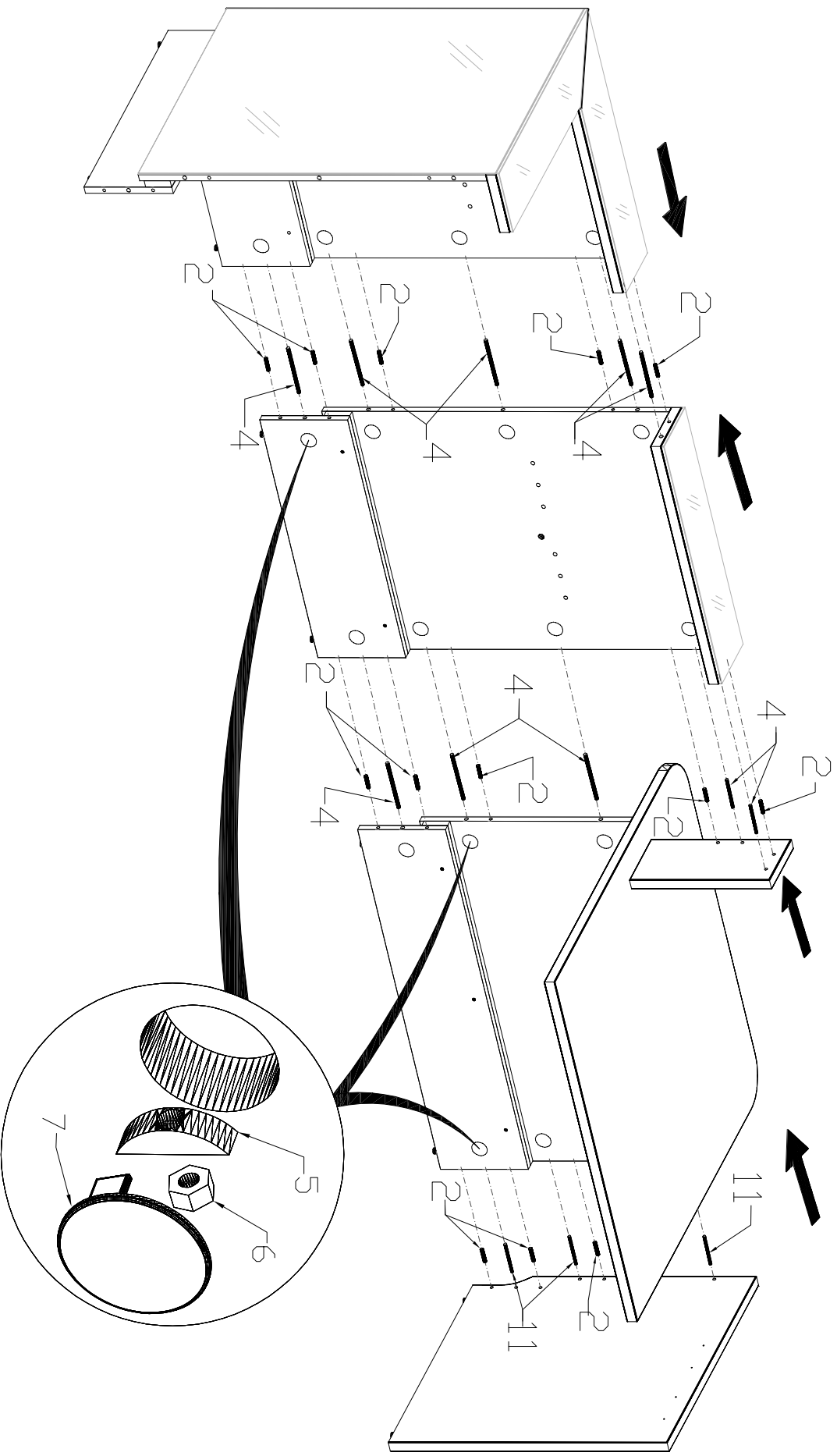


KOLENOSĆ MONTAŻU
MIMOŚRODOWI.
THE FITTINGS SEQUENCE OF THE
CAMS.
DIE MONTAGEABFOLGE VON
EXZENTERN.



(A)

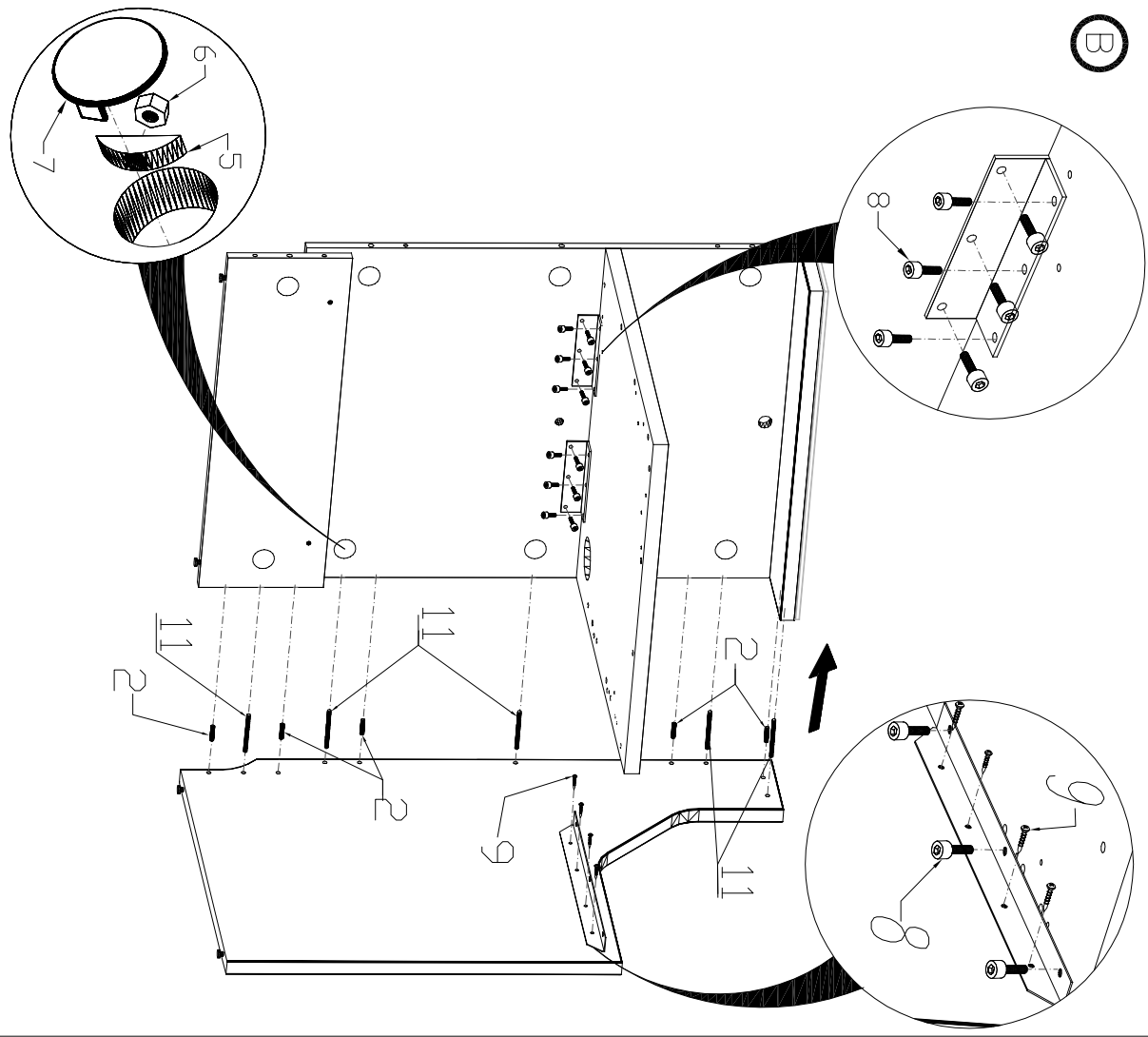
- 1  18, 14, 10
- 2  Ø8x36
- 4  M6x110
- 5 
- 6 
- 7 
- 8  M6x14
- 9  5x17
- 10  5x25
- 11  M6x70



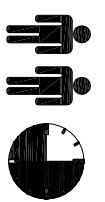
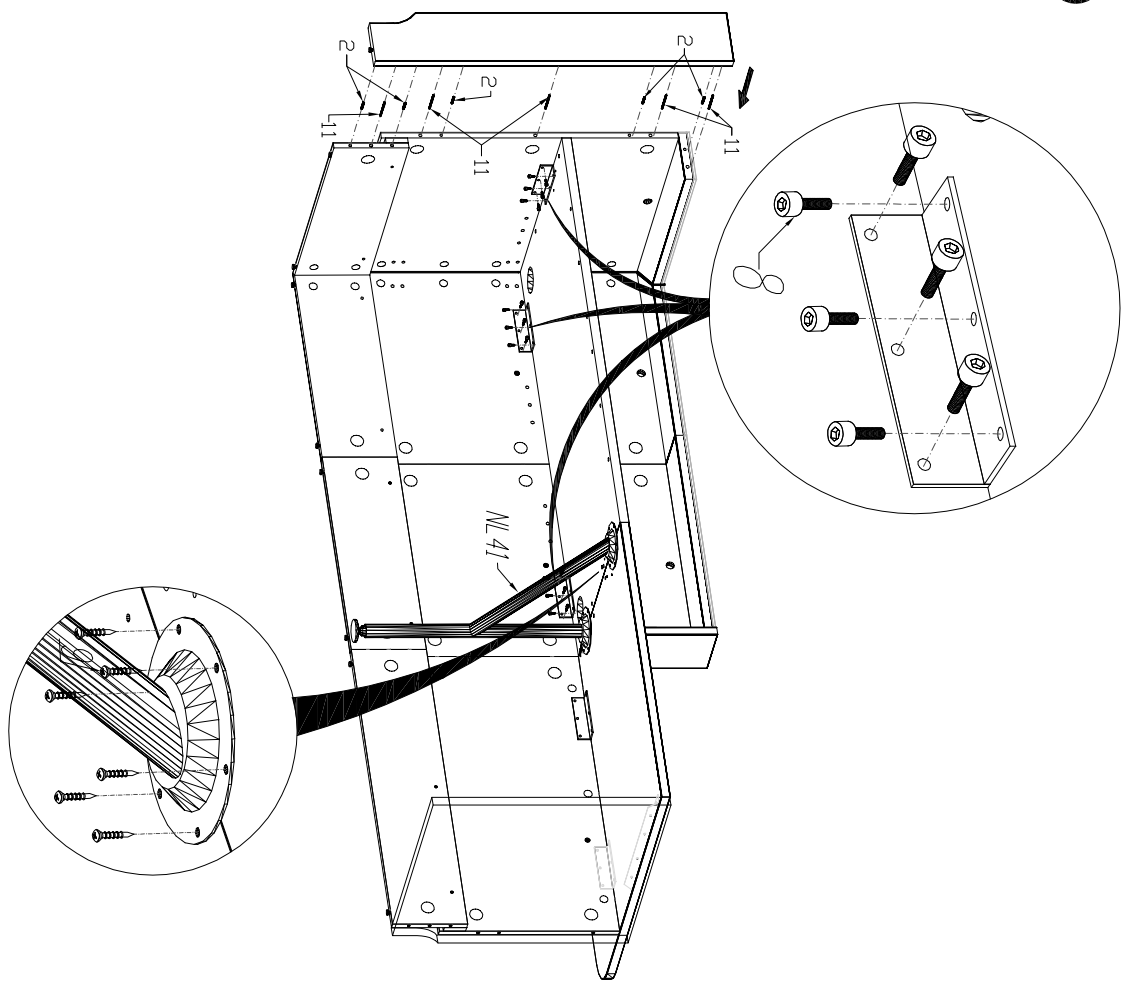
LG...

- | | |
|----|--|
| 1 | |
| 2 | |
| 4 | |
| 5 | |
| 6 | |
| 7 | |
| 8 | |
| 9 | |
| 10 | |
| 11 | |

B



C



LG...

