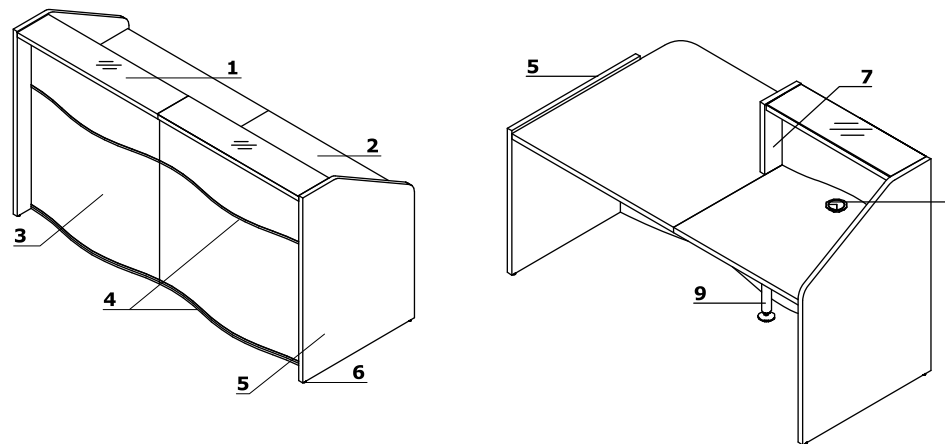


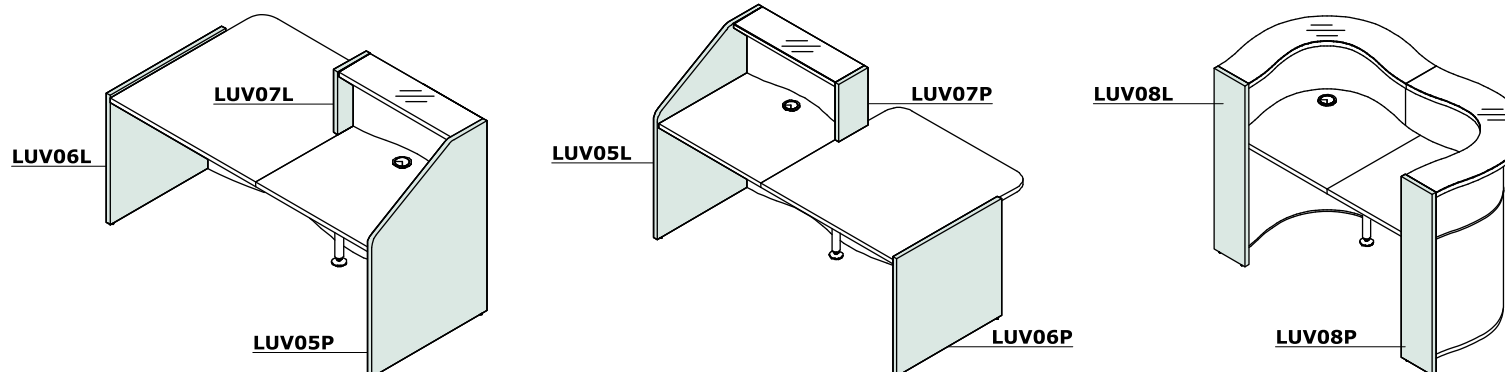
## Technical specification

- 1 Top** - MFC 28 mm + Glass LACOBEL 4 mm (32 mm)
- 2 Worktop** - MFC 28 mm, ABS edge 2 mm
- 3 Front** - HPL - high gloss
- 4 Decorative stripe** - PVC, colour: M009 - aluminium semi-matt
- 5 Low side panel** - MFC 28 mm, ABS edge 2 mm
- 6 Leveling** - 5 mm range
- 7 Side panel linking low and high fronts** - MFC 28 mm, ABS edge 2 mm
- 8 Cable grommets** - Ø80 mm
- 9 Supporting leg NL41** - required for connecting the tops



ATTENTION - Interior of the front in white

## Ending elements application



Dimensions (mm)

